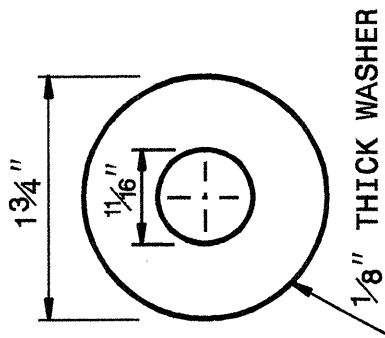
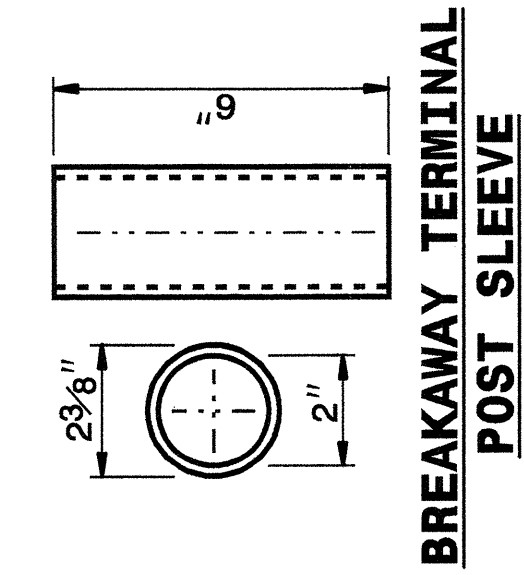


29-APR-2004 11:01  
 W:\Special Detail\29-ward\stds\02\stds to Special Details/english\862d02\0862d02.dgn  
 5/14/98

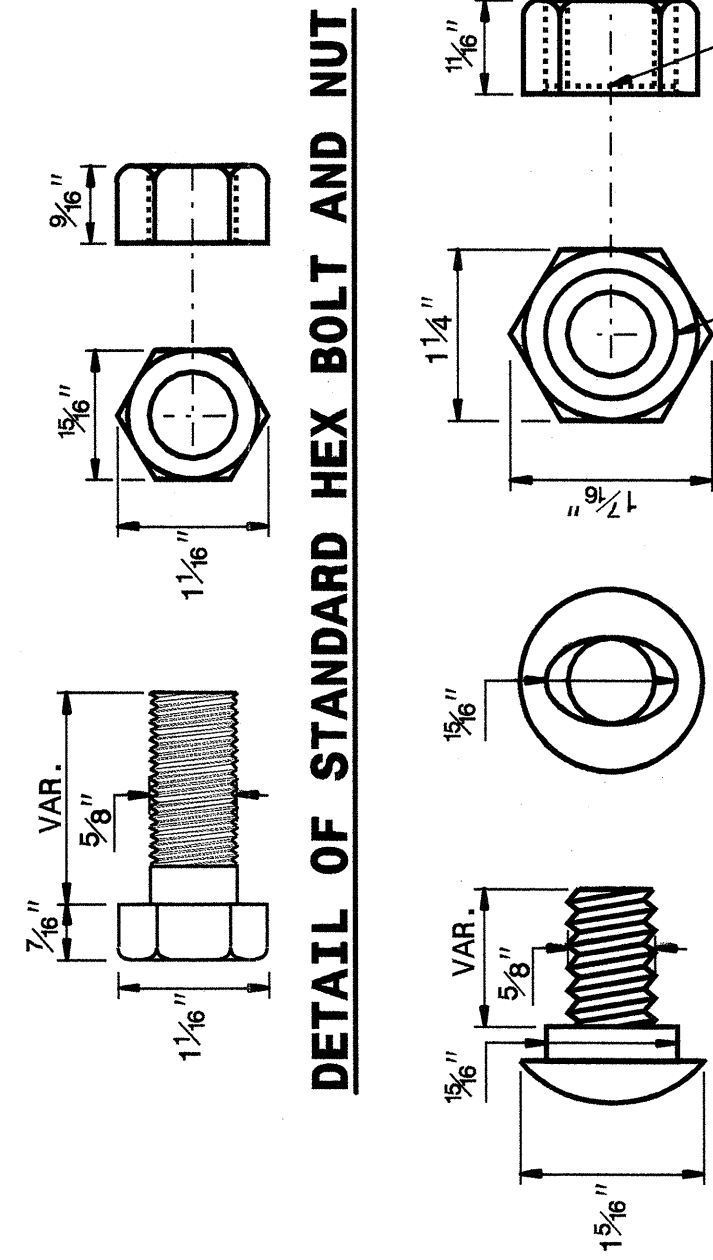
STATE OF  
 NORTH CAROLINA  
 DEPT. OF TRANSPORTATION  
 DIVISION OF HIGHWAYS  
 RALEIGH, N.C.

ENGLISH DETAIL DRAWING FOR  
**GUARDRAIL INSTALLATION**

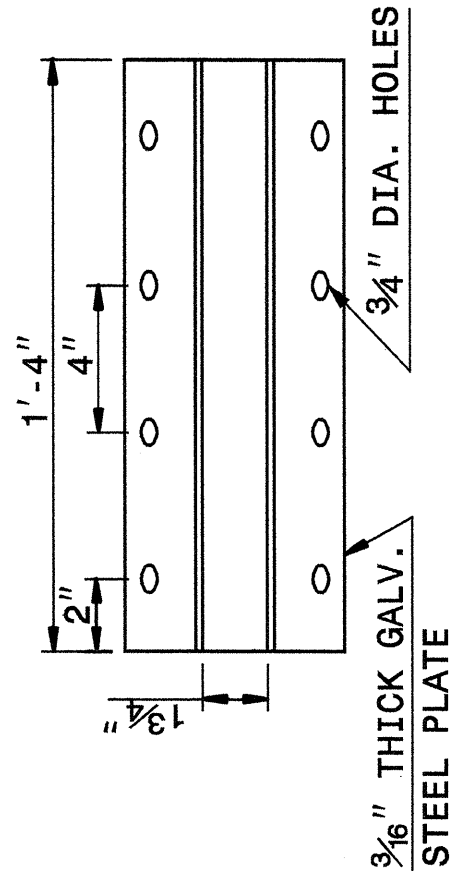
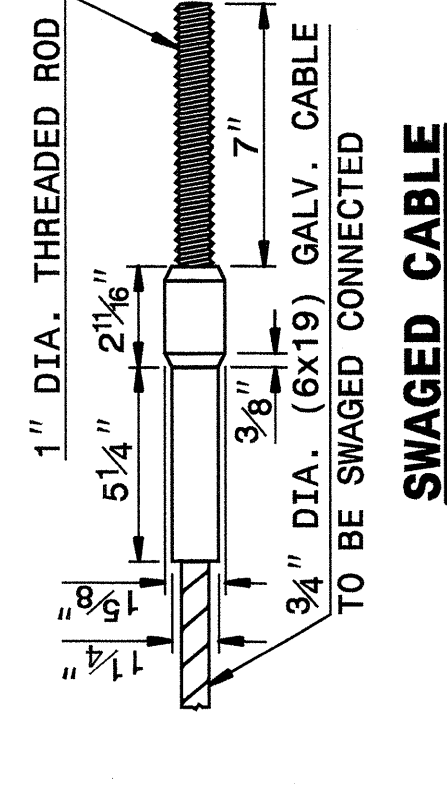
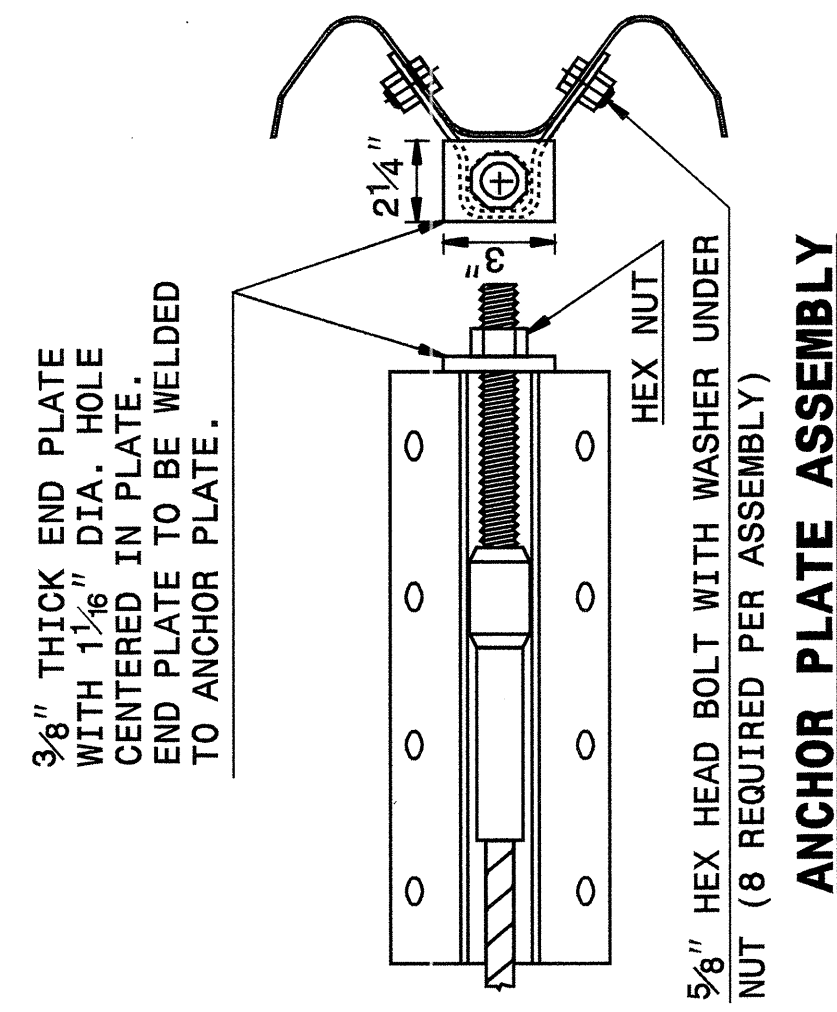
SHEET 5 OF 7  
**862D02**



**DETAIL OF STANDARD WASHER**  
 STANDARD WASHER: TYPICAL USE UNDER NUT WITH WOOD POST



**DETAIL OF BUTTON HEAD BOLT AND NUT**  
 5/16" DIA. X  
 7/8" DEEP RECESS



**CABLE ASSEMBLY**

**SYSTEM PARTS**

SHEET 5 OF 7  
**862D02**

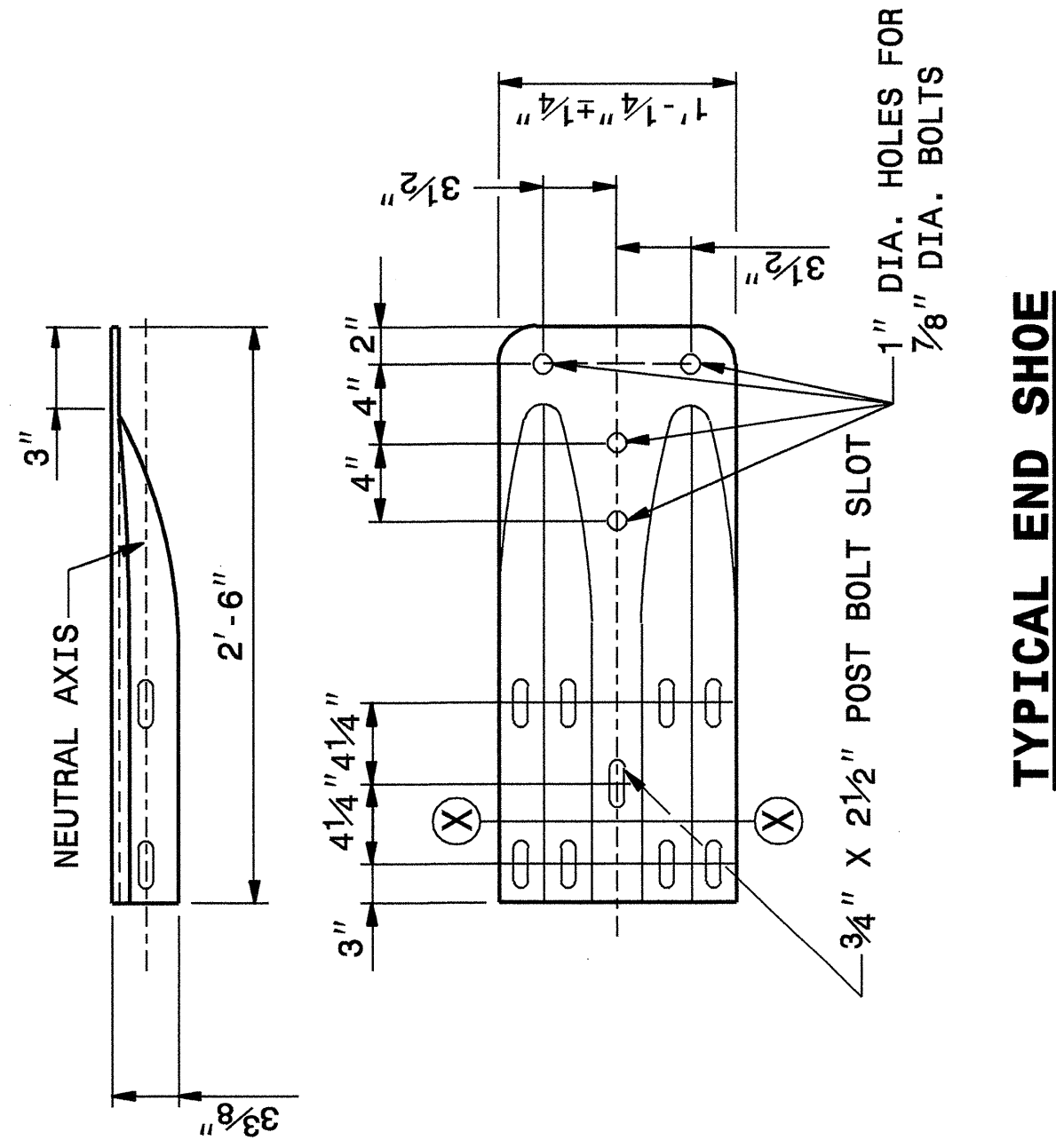
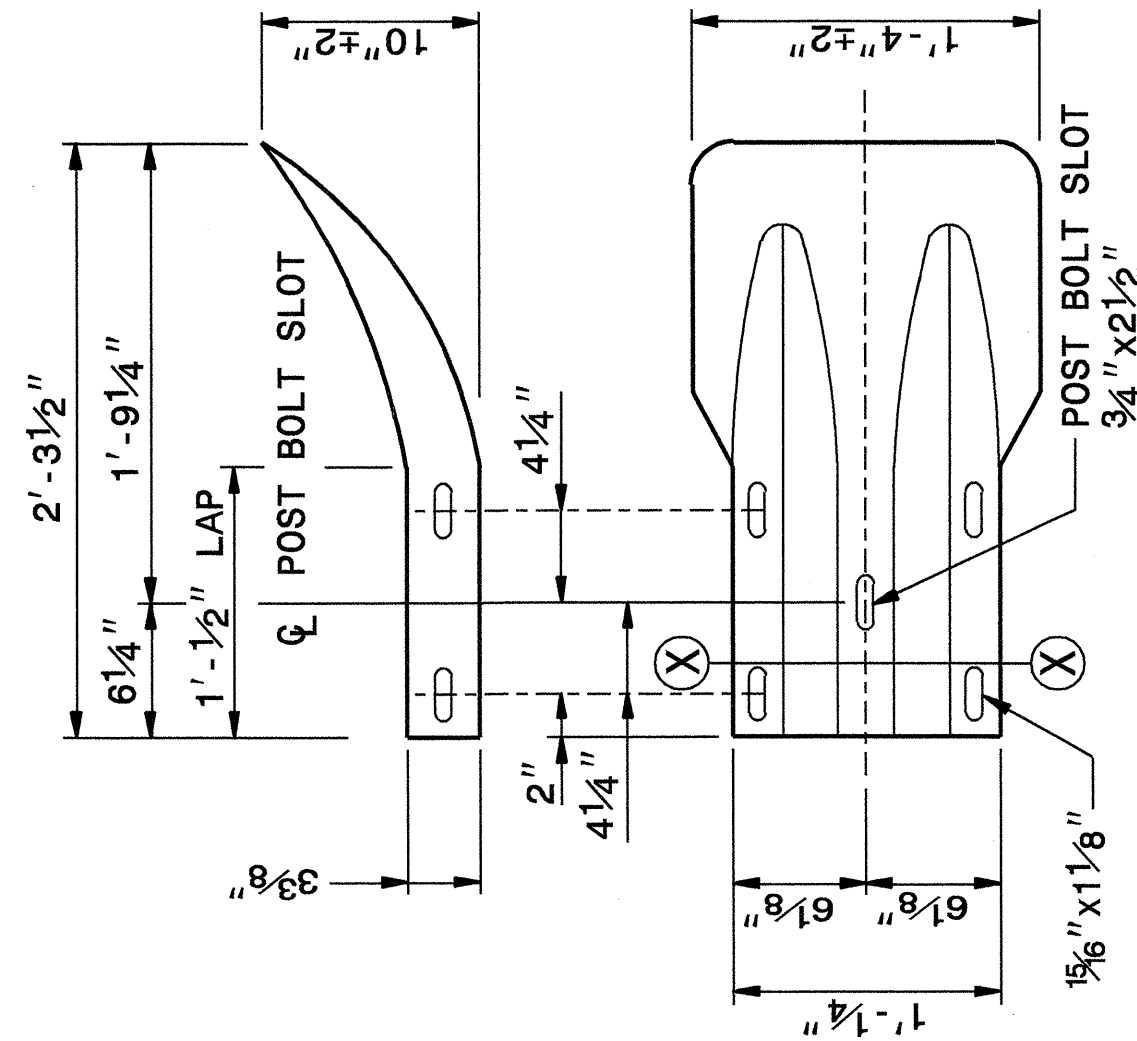
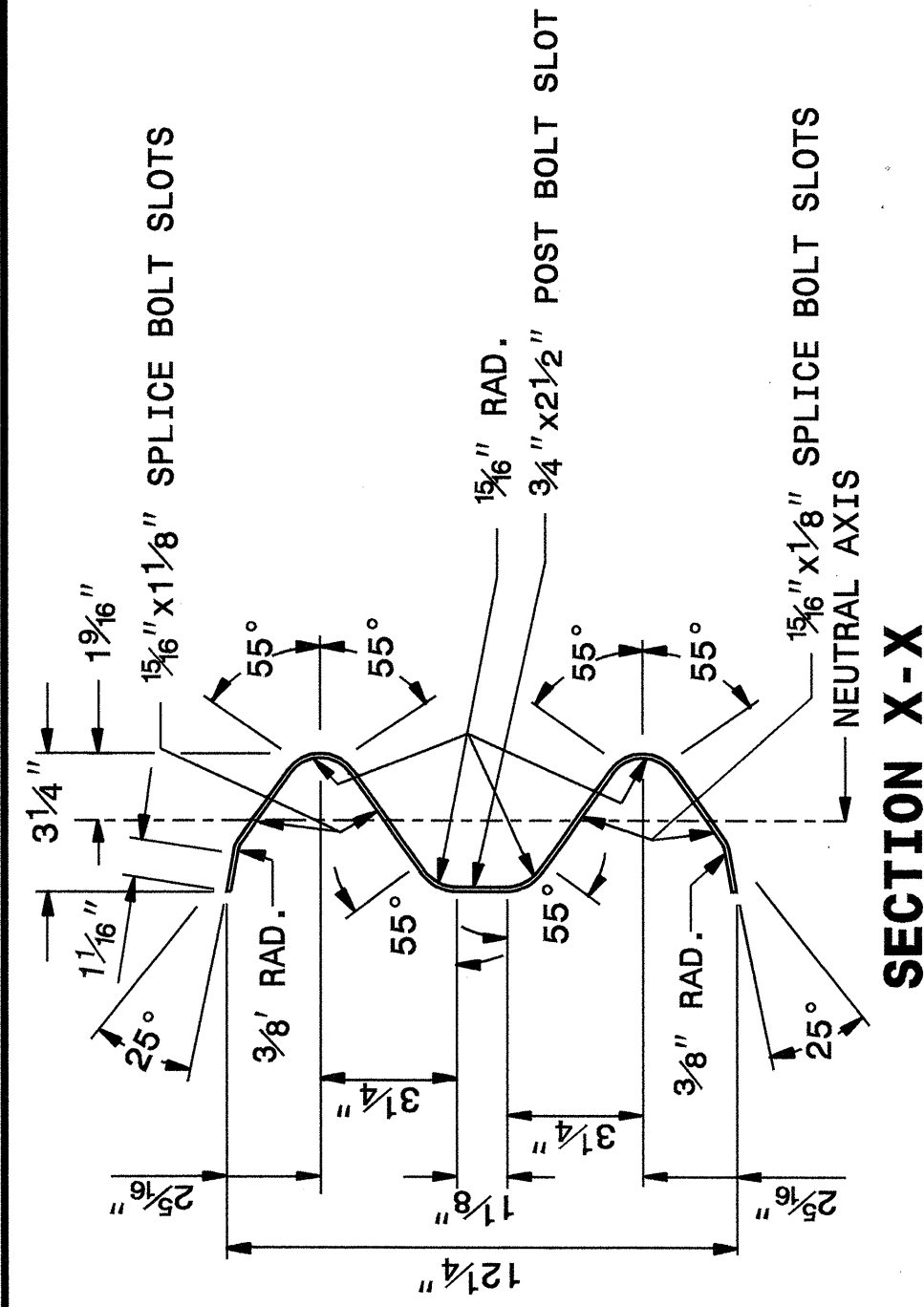
STATE OF  
 NORTH CAROLINA  
 DEPT. OF TRANSPORTATION  
 DIVISION OF HIGHWAYS  
 RALEIGH, N.C.

ENGLISH DETAIL DRAWING FOR  
**GUARDRAIL INSTALLATION**

STATE OF  
 NORTH CAROLINA  
 DEPT. OF TRANSPORTATION  
 DIVISION OF HIGHWAYS  
 RALEIGH, N.C.

ENGLISH DETAIL DRAWING FOR  
**GUARDRAIL INSTALLATION**

SHEET 6 OF 7  
**862D02**



**SYSTEM PARTS - GENERAL USE**

SHEET 6 OF 7  
**862D02**

ENGLISH DETAIL DRAWING FOR  
**GUARDRAIL INSTALLATION**

STATE OF  
 NORTH CAROLINA  
 DEPT. OF TRANSPORTATION  
 DIVISION OF HIGHWAYS  
 RALEIGH, N.C.

DESIGN SERVICES UNIT  
 STANDARDS AND SPECIAL DESIGN  
 Office 919-250-4128 FAX 919-250-4119

**SEE PLATE FOR TITLE**

ORIGINAL BY: 2002 STD. 862.02 DATE:  
 MODIFIED BY: E.E. WARD DATE: 02-09-03  
 CHECKED BY: *[Signature]* DATE: 4-29-04  
 FILE SPEC.: /usr/stds/02todetail/english/86202/862d02.dgn

