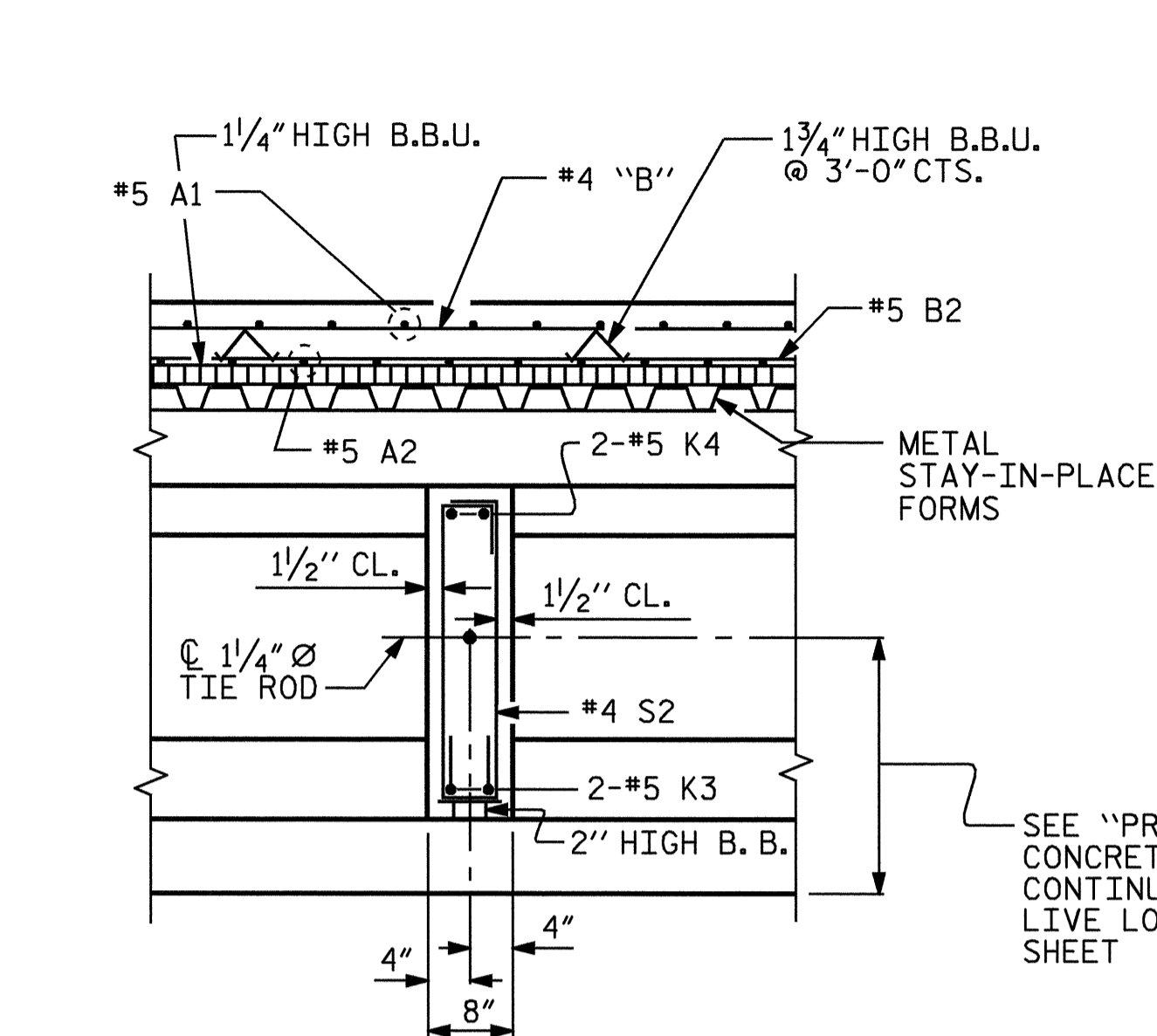
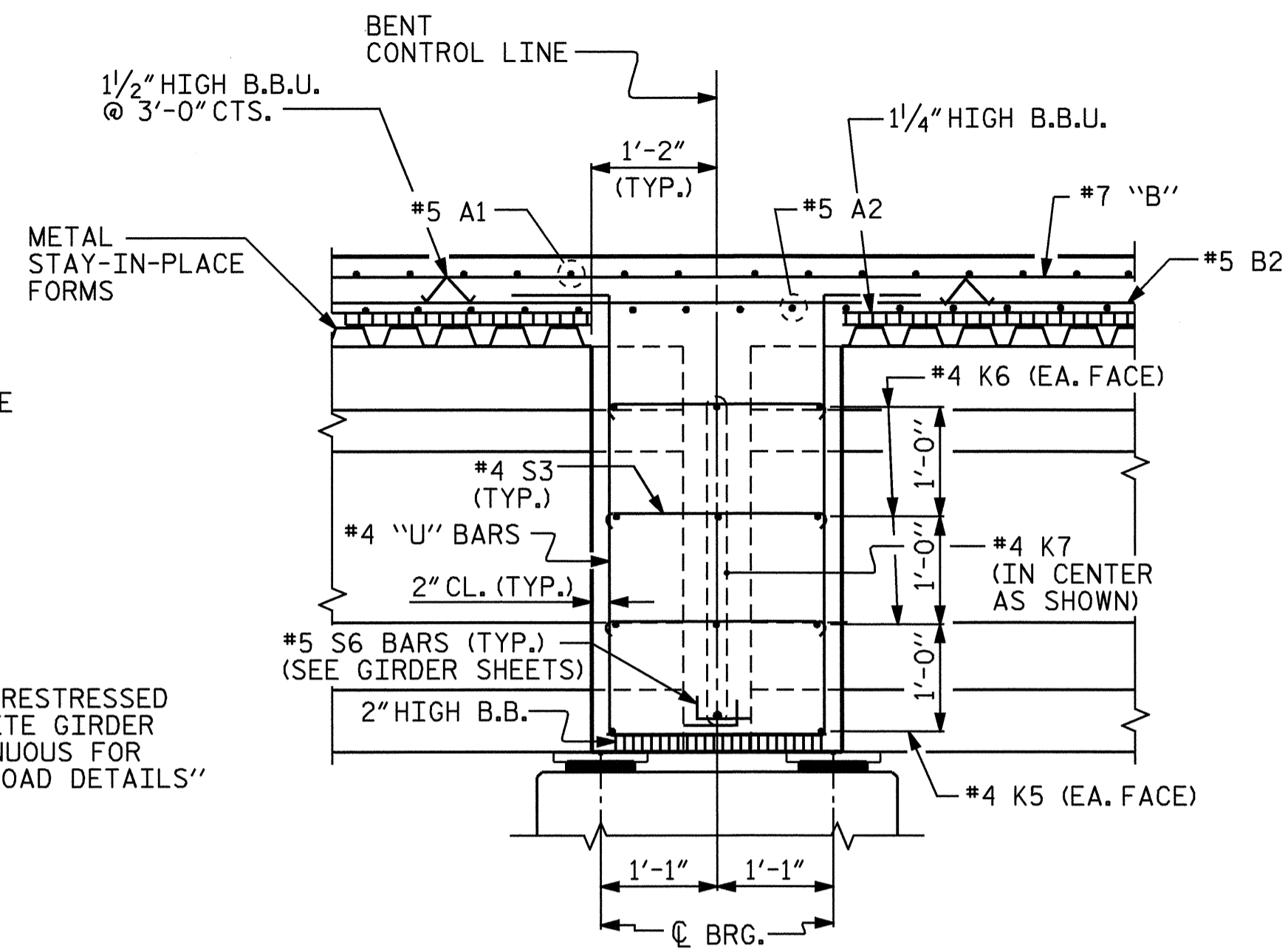


SECTION THRU
END BENT DIAPHRAGM

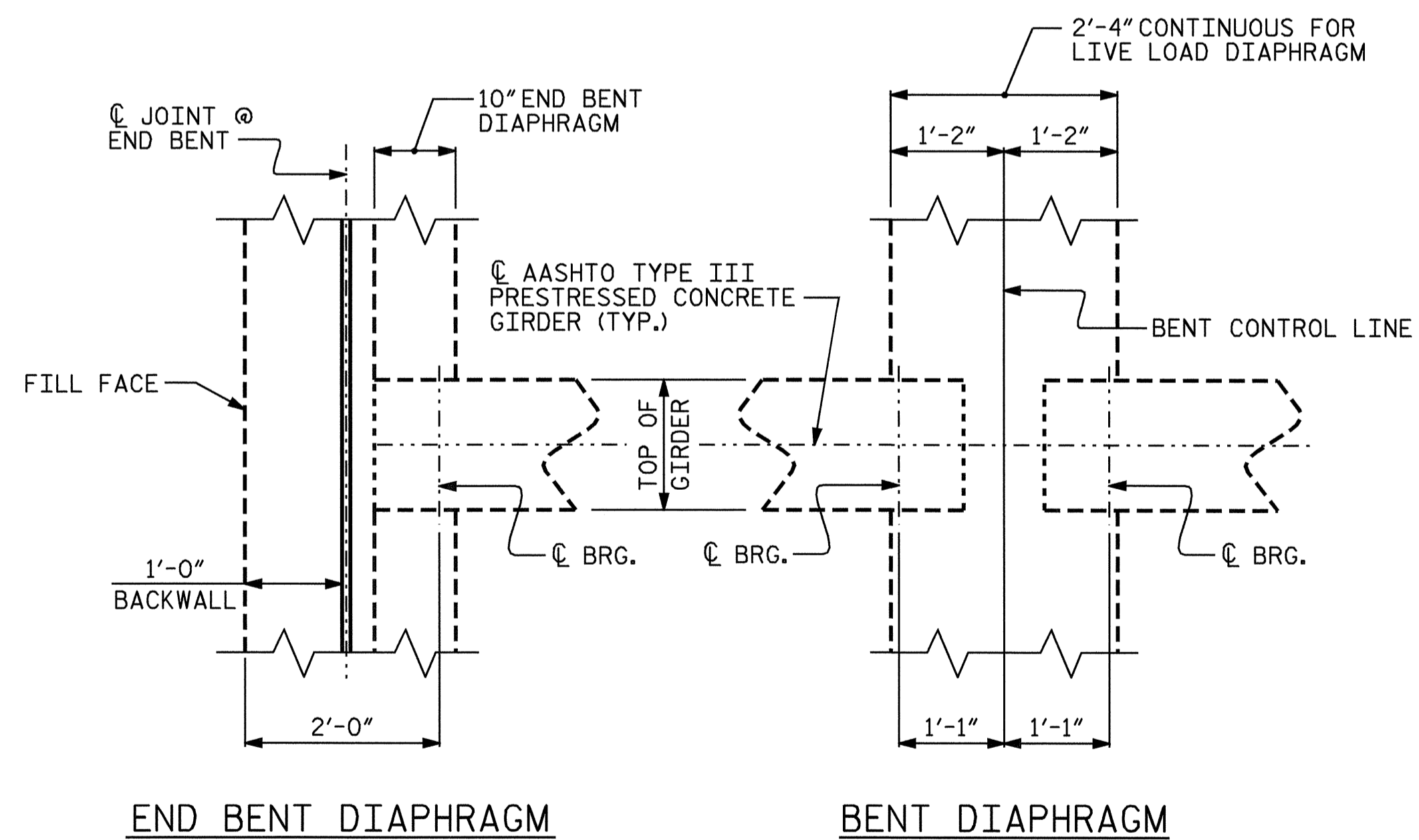
* #5 G1 BAR MAY BE SHIFTED SLIGHTLY, AS NECESSARY, TO CLEAR REINFORCING STEEL AND STIRRUPS.



SECTION THRU
INTERMEDIATE DIAPHRAGM



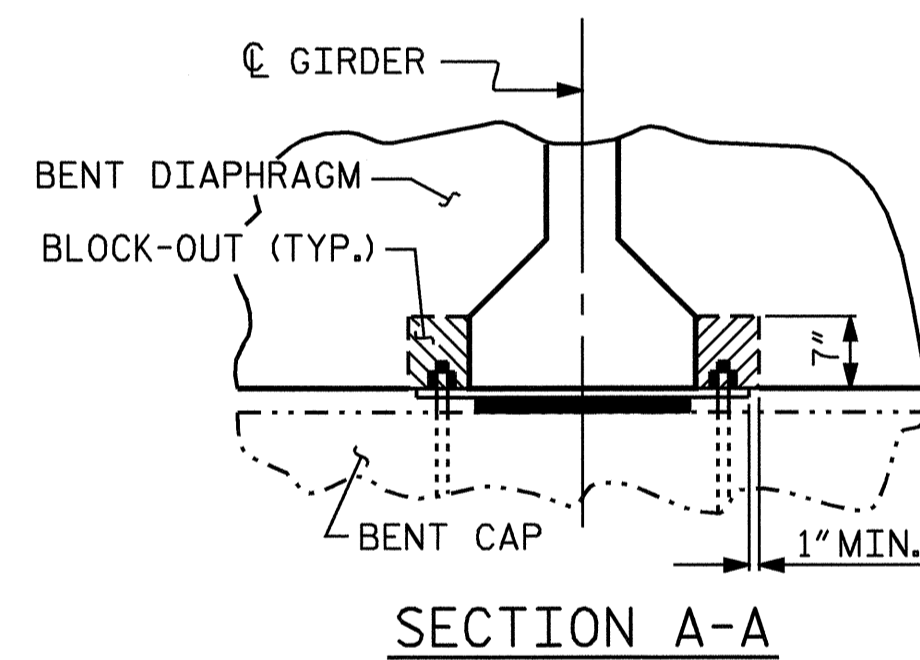
SECTION THRU
BENT DIAPHRAGM



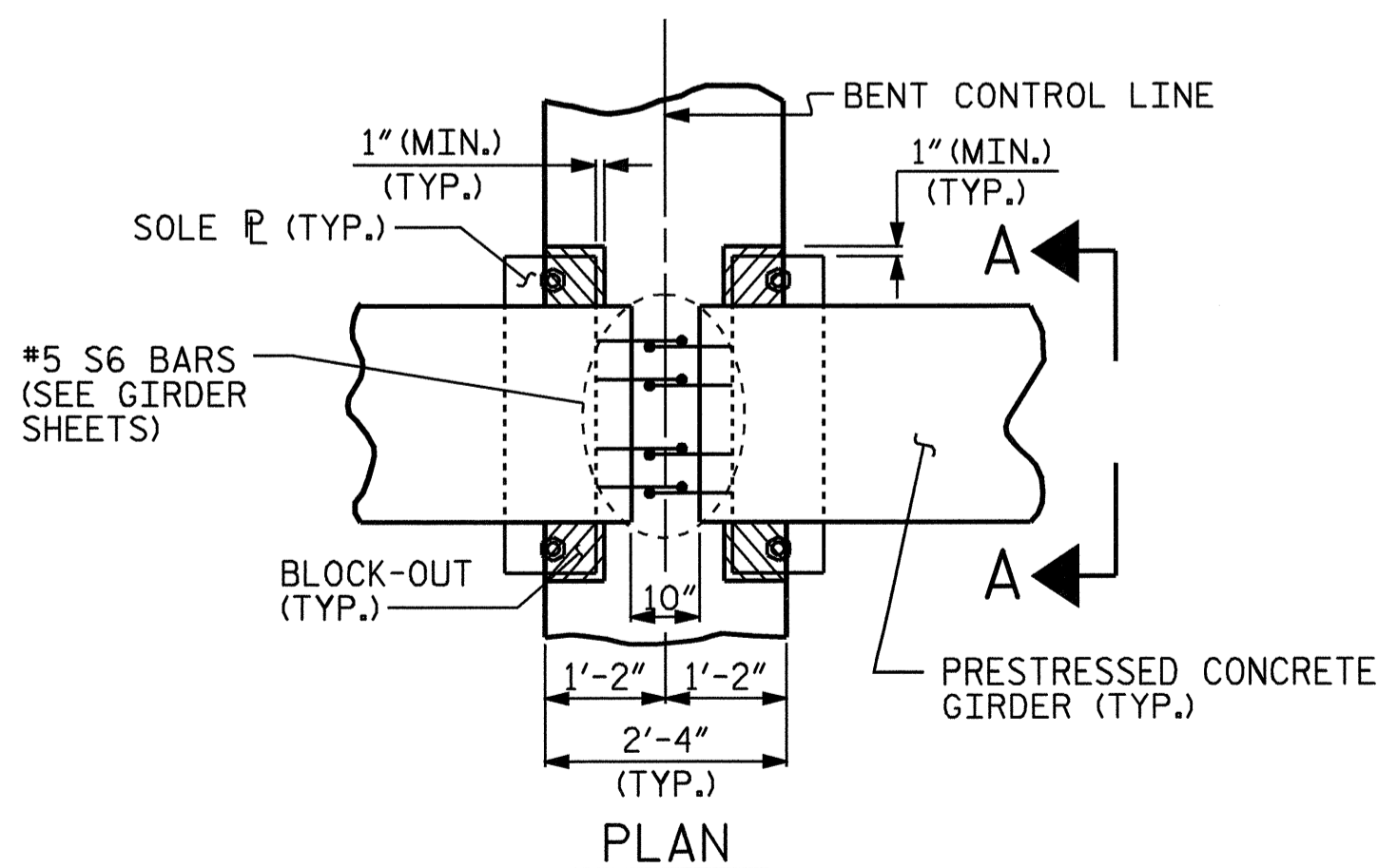
END BENT DIAPHRAGM

BENT DIAPHRAGM

PLAN OF DIAPHRAGMS



SECTION A-A



PLAN

BENT DIAPHRAGM BLOCK-OUT DETAIL

PROJECT NO. B-3714
WILKES COUNTY
 STATION: 17+05.50 -L-

SHEET 2 OF 2

STATE OF NORTH CAROLINA
 DEPARTMENT OF TRANSPORTATION
 RALEIGH

SUPERSTRUCTURE

TYPICAL SECTION
 DETAILS



DRAWN BY: P.C. BREWER DATE: 7/7/04
 CHECKED BY: K.W. ALFORD DATE: 8/4/04

22-DEC-2004 12:36
 W:\sqaddg\TURNED_IN\VB\B3714\FINAL_PLANS\B3714.sd.TS.01.dgn
 wparker

REVISIONS						SHEET NO.
NO.	BY:	DATE:	NO.	BY:	DATE:	S-5
1			3			TOTAL SHEETS
2			4			35