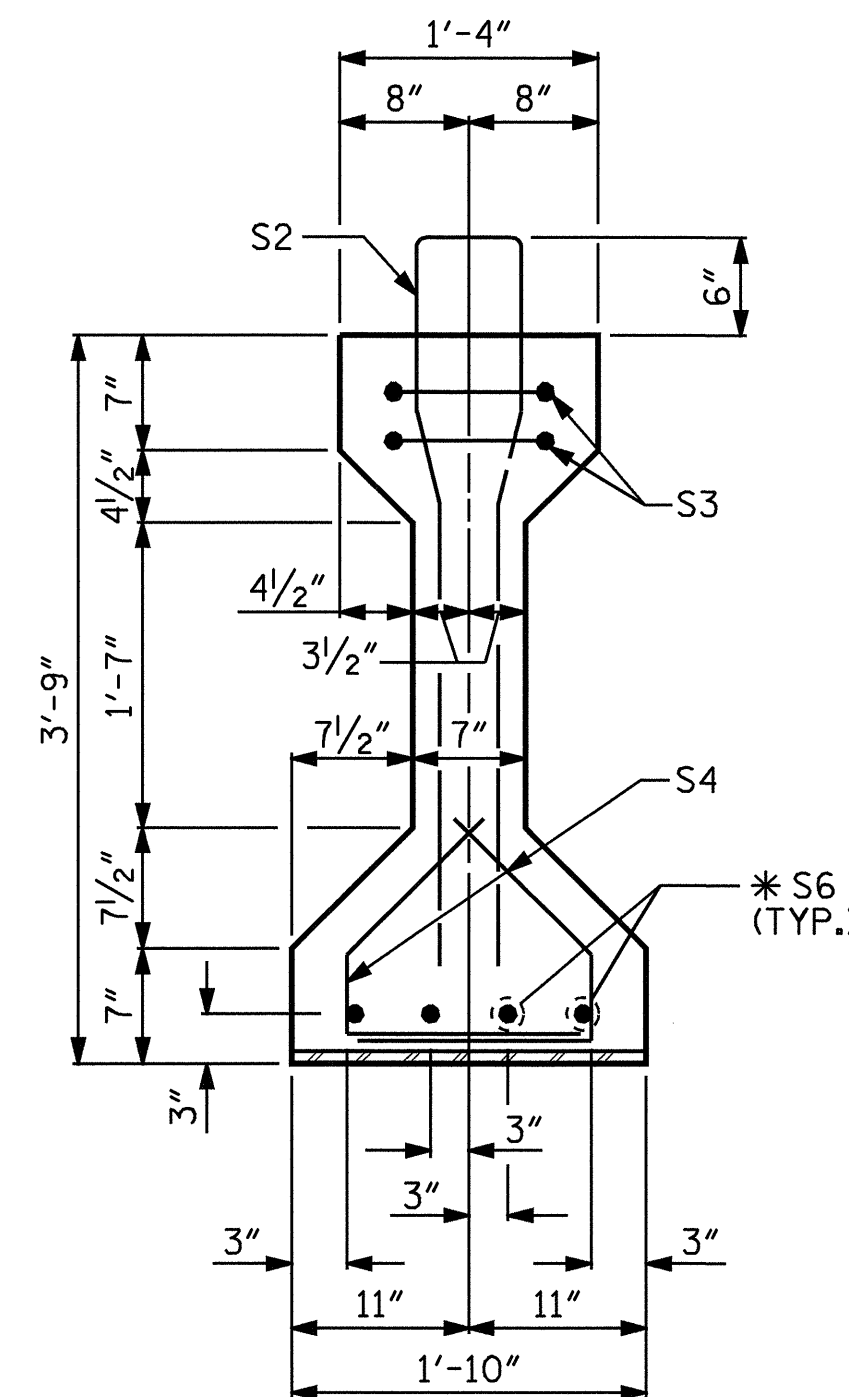
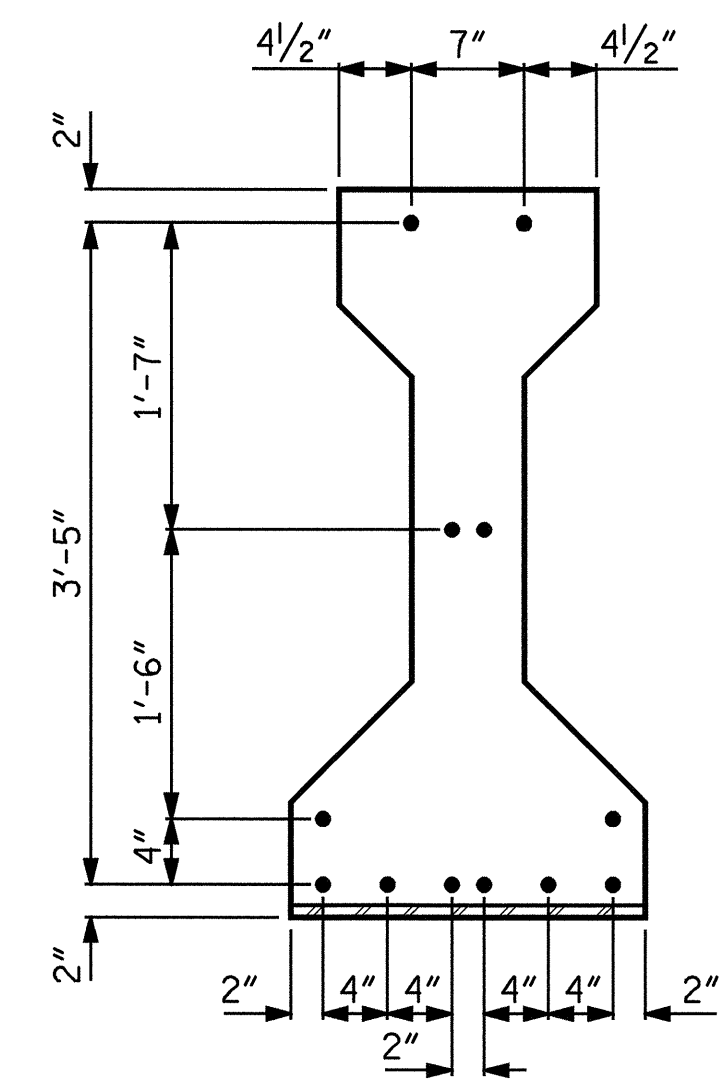


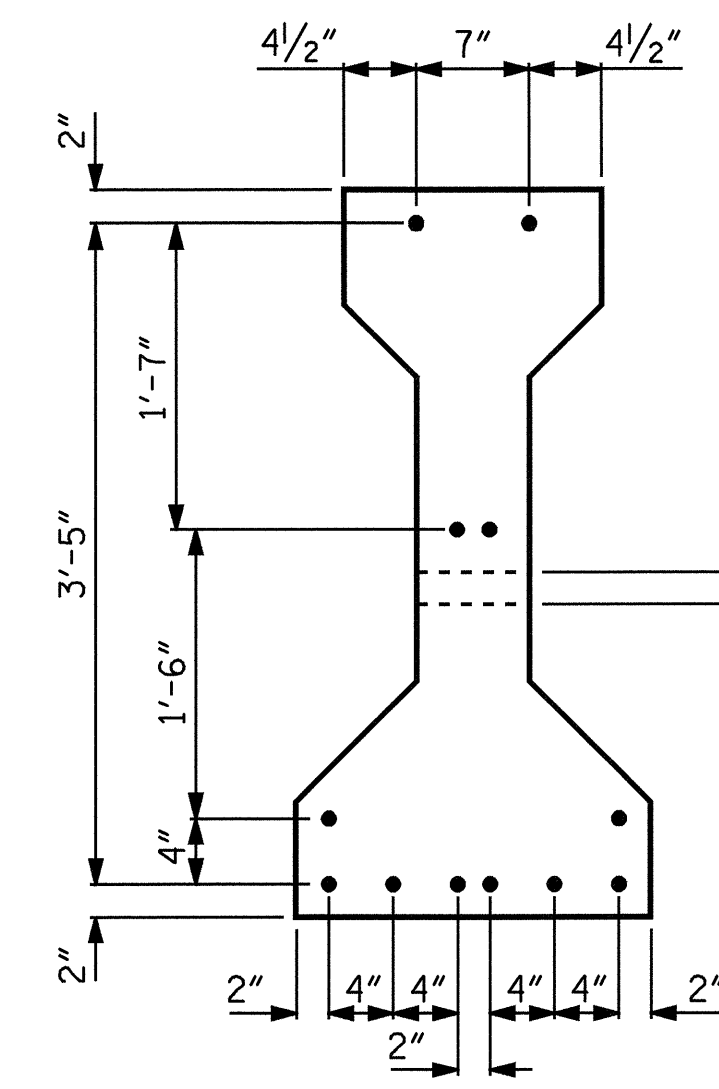
SECTION A-A



SECTION B-B



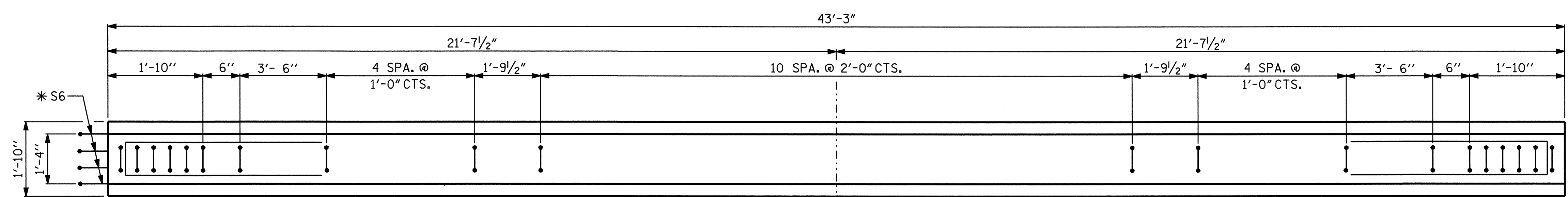
AT END OF GIRDER



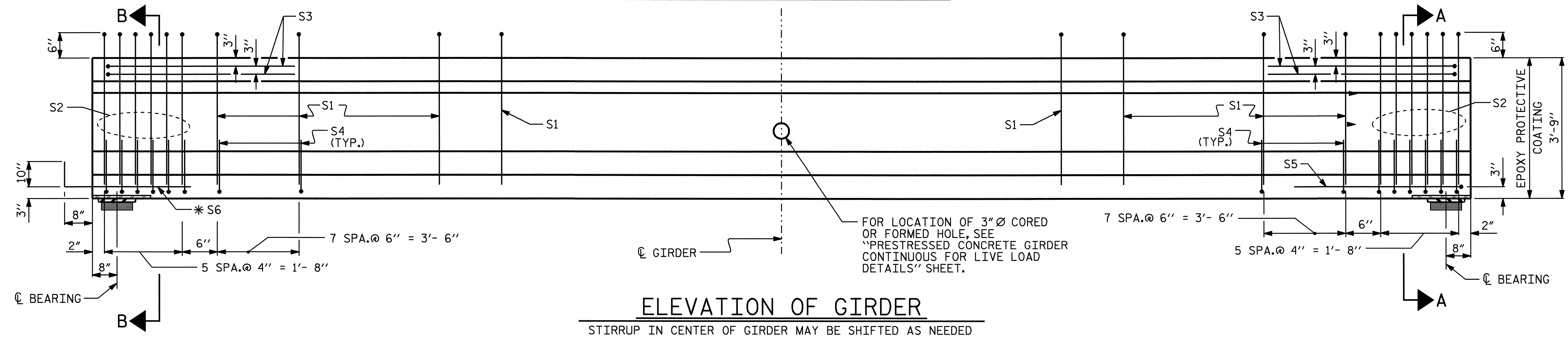
AT CL OF GIRDER

1/2" Ø LOW RELAXATION STRAND LAYOUT

SEE "PRESTRESSED CONCRETE GIRDER CONTINUOUS FOR LIVE LOAD DETAILS" SHEET FOR LOCATION OF 3" Ø CORED OR FORMED HOLE.



PLAN OF GIRDER



ELEVATION OF GIRDER

STIRRUP IN CENTER OF GIRDER MAY BE SHIFTED AS NEEDED TO AVOID INTERFERENCE WITH 3" Ø CORED OR FORMED HOLE.

FOR LOCATION OF 3" Ø CORED OR FORMED HOLE, SEE "PRESTRESSED CONCRETE GIRDER CONTINUOUS FOR LIVE LOAD DETAILS" SHEET.

1/2" Ø L.R GRADE 270 STRANDS

AREA (IN <sup>2</sup> )	ULTIMATE STRENGTH (LBS./STRAND)	APPLIED PRESTRESS (LBS./STRAND)
0.153	41,300	30,980

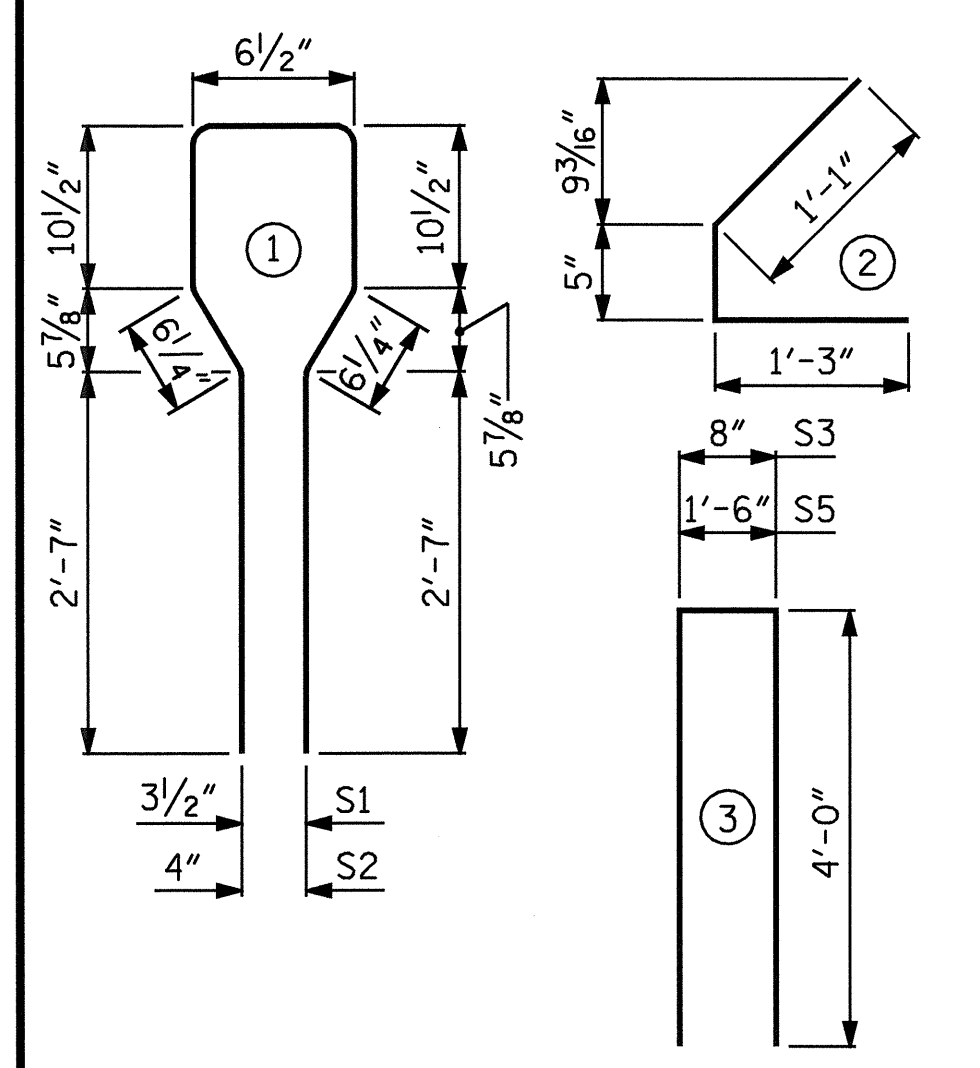
REINFORCING STEEL FOR ONE GIRDER

BAR	NUMBER	SIZE	TYPE	LENGTH	WEIGHT
S1	35	#4	1	8'-6"	199
S2	12	#6	1	8'-6"	153
S3	4	#4	3	8'-8"	23
S4	56	#4	2	2'-9"	103
S5	1	#4	3	9'-6"	6
*S6	4	#5	STR	3'-8"	15

\* NOTE: S6 BARS SHALL BE BENT AFTER GIRDER FABRICATION AND BEFORE SHIPMENT. HEAT BENDING SHALL NOT BE ALLOWED.

BAR TYPES

ALL BAR DIMENSIONS ARE OUT-TO-OUT



QUANTITIES FOR ONE GIRDER

REINFORCING STEEL	5000 PSI CONCRETE	1/2" Ø L.R. STRANDS
LB.	C.Y.	No.
499	6.2	12

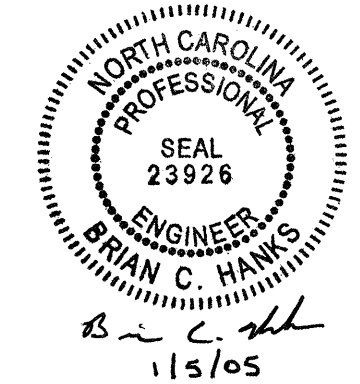
GIRDERS REQUIRED

NUMBER	LENGTH	TOTAL LENGTH
5	43'-3"	216.25'

PROJECT NO. B-3714  
 WILKES COUNTY  
 STATION: 17+05.50 -L-

SHEET 3 OF 4

STATE OF NORTH CAROLINA  
 DEPARTMENT OF TRANSPORTATION  
 RALEIGH  
 AASHTO TYPE III  
 PRESTRESSED CONCRETE GIRDER  
 CONTINUOUS FOR LIVE LOAD  
 SPAN "C"



ASSEMBLED BY : P.C. BREWER	DATE : 7/9/04	CADD STANDARD
CHECKED BY : K.W. ALFORD	DATE : 8/5/04	
DRAWN BY : RB 2/97	REV. 8/16/99 ARB/LES	
CHECKED BY : VP 2/97		

REVISIONS						SHEET NO.
NO.	BY:	DATE:	NO.	BY:	DATE:	S-12
1			3			35
2			4			