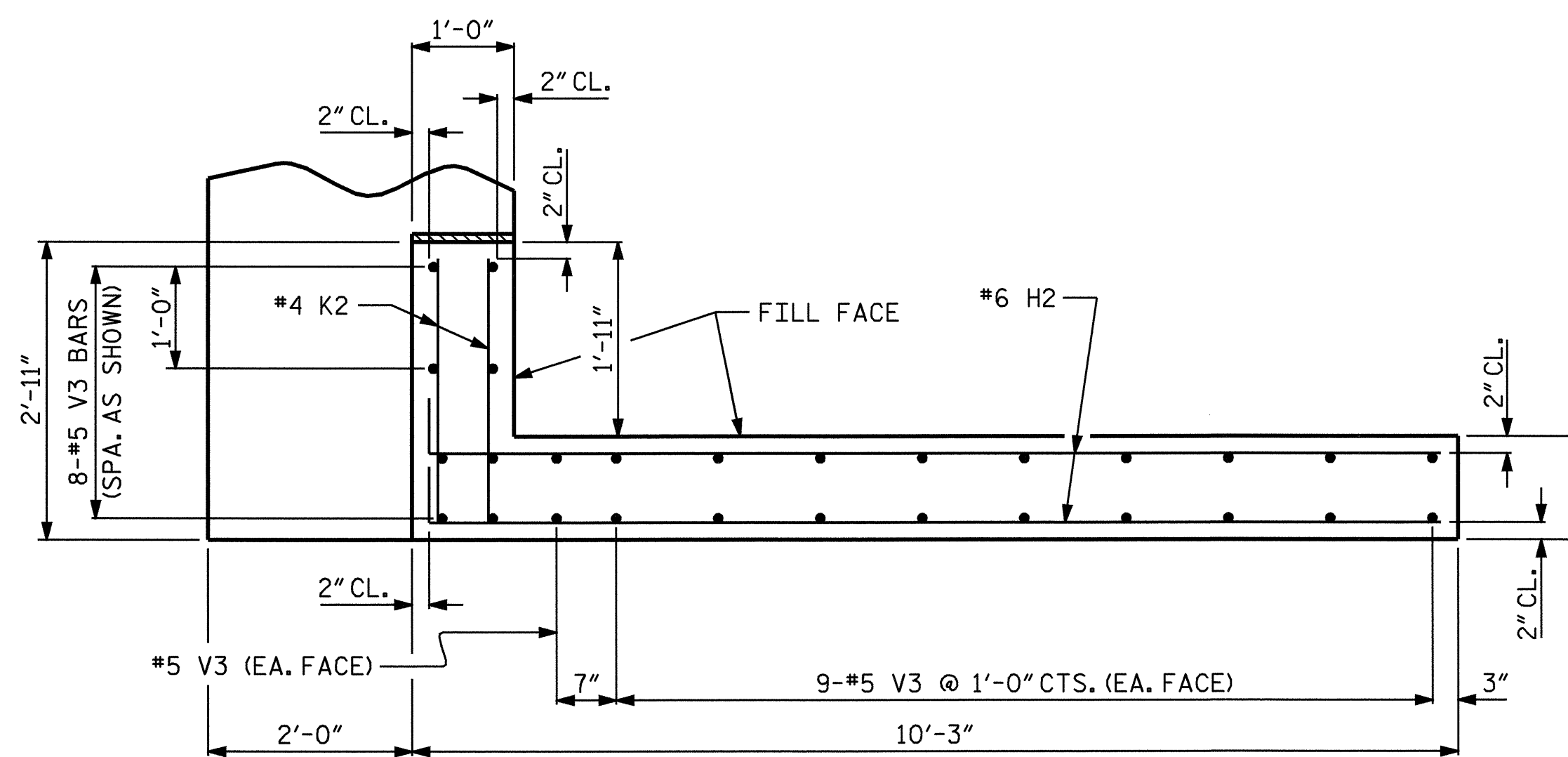
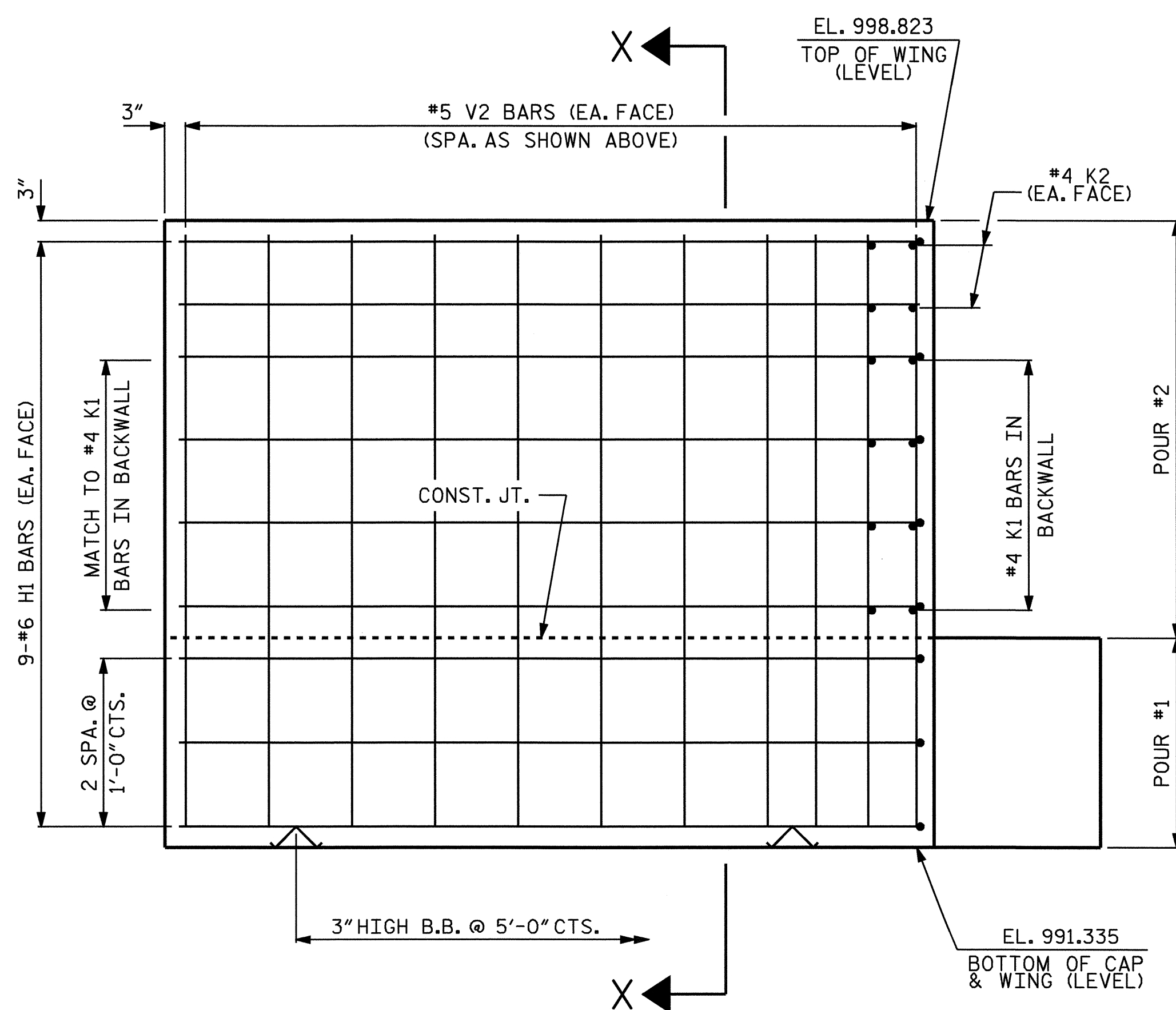


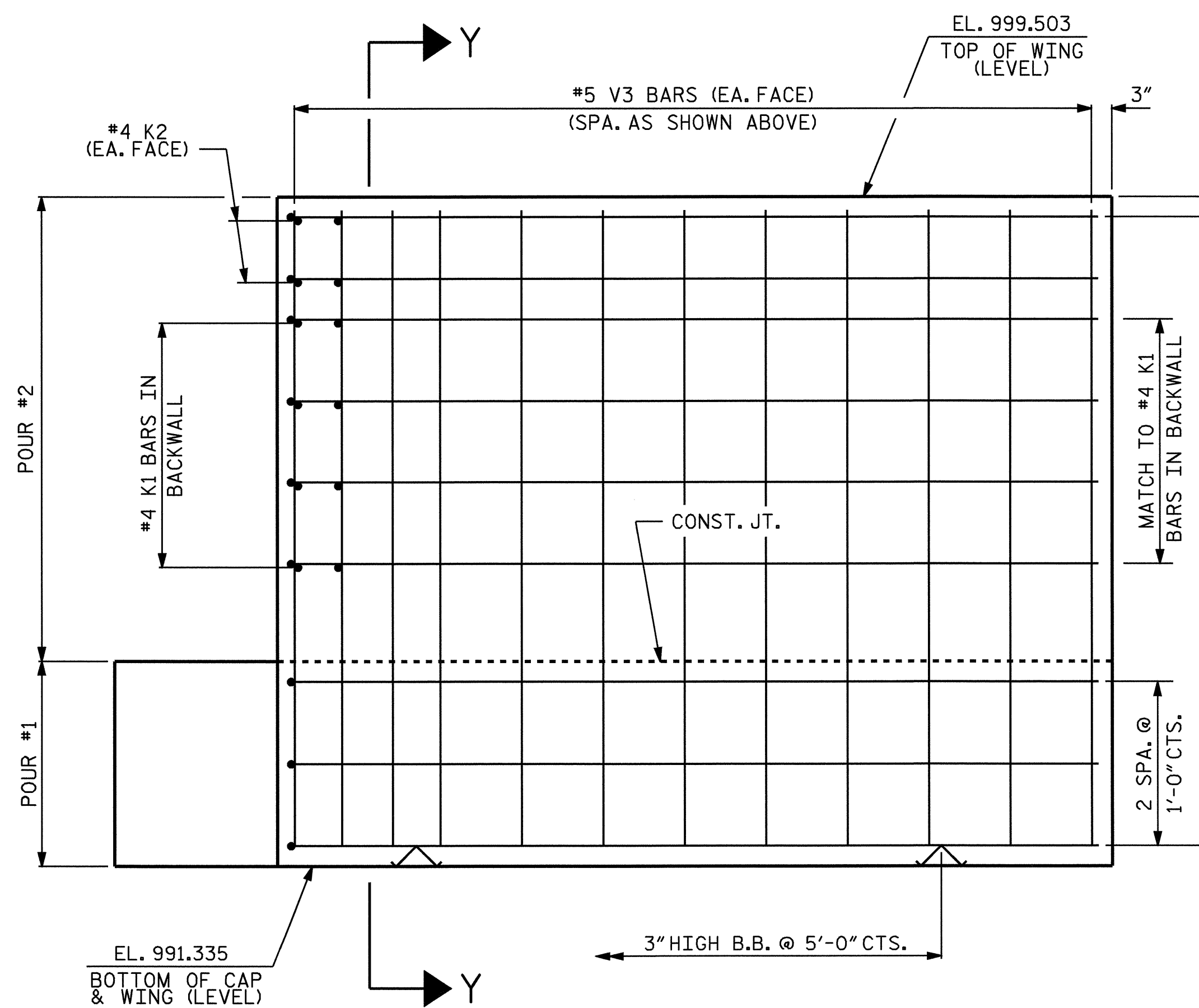
PLAN OF WING (W1)



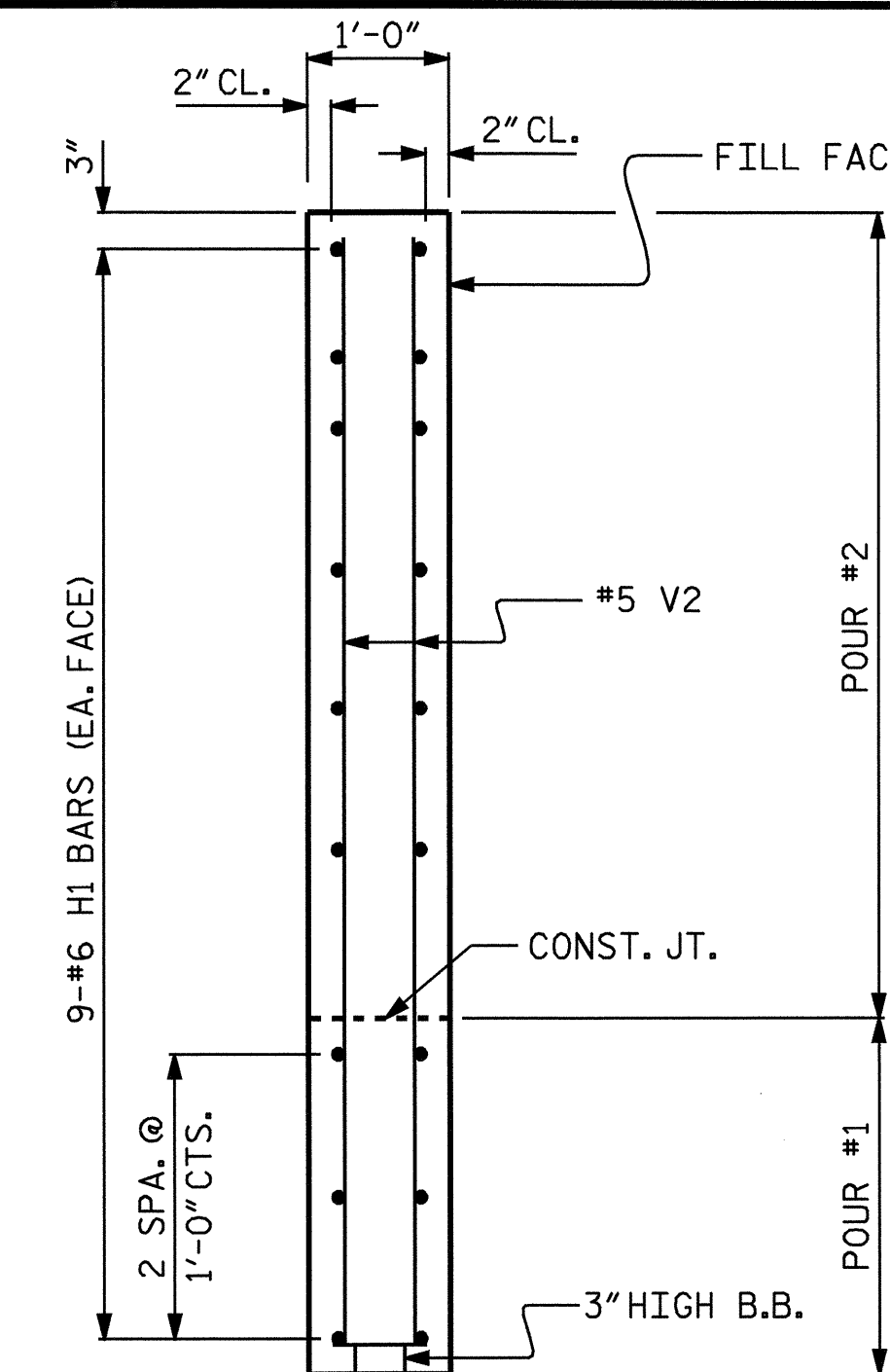
PLAN OF WING (W2)



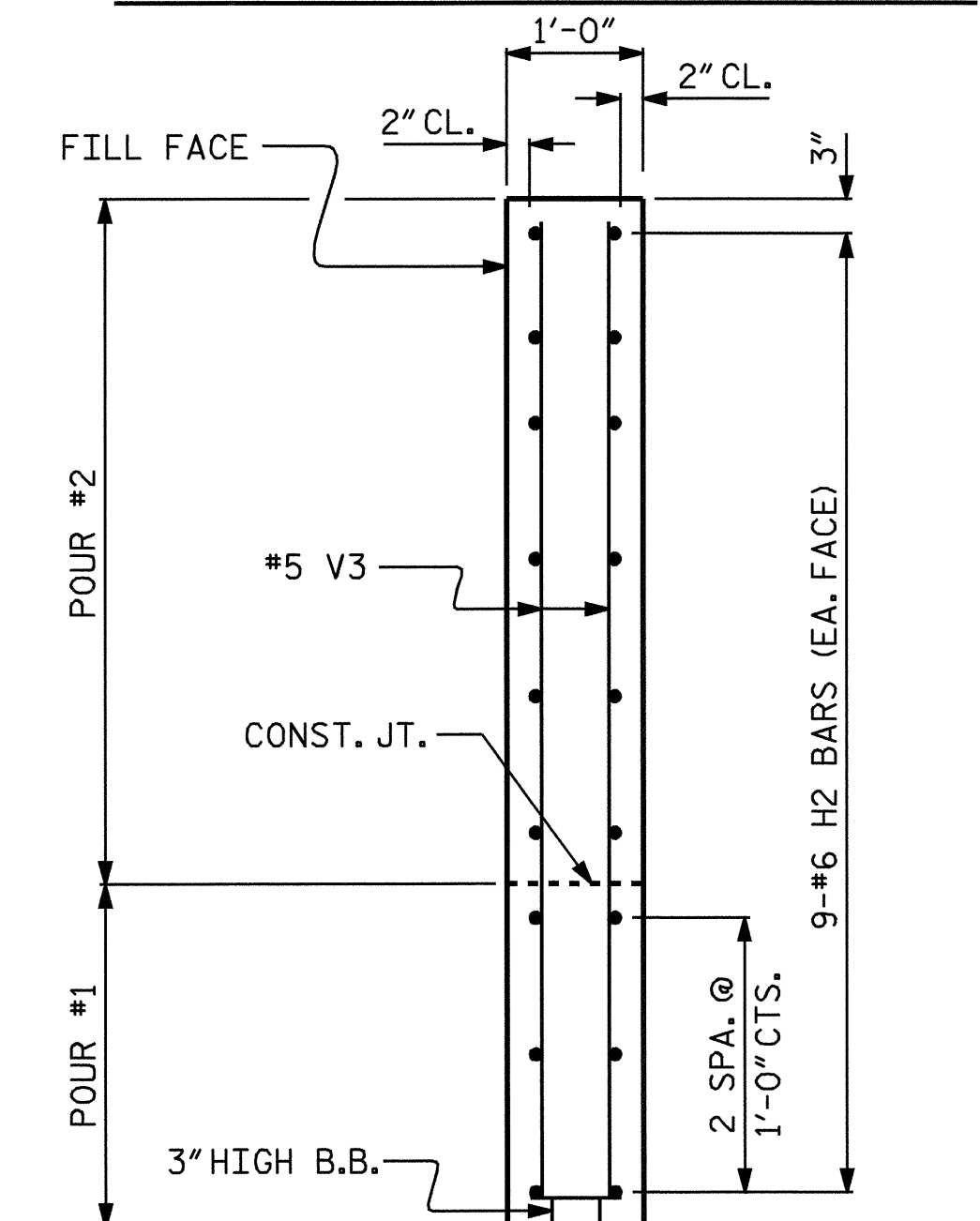
ELEVATION OF WING (W1)



ELEVATION OF WING (W2)



SECTION X-X

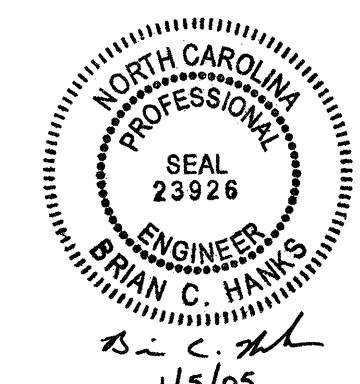


SECTION Y-Y

PROJECT NO. B-3714
 WILKES COUNTY
 STATION: 17+05.50 -L-

SHEET 2 OF 3

| | | | | | |
|--|-----|-------|-----|-----|-------|
| STATE OF NORTH CAROLINA DEPARTMENT OF TRANSPORTATION RALEIGH | | | | | |
| SUBSTRUCTURE END BENT 2 | | | | | |
| REVISIONS | | | | | |
| NO. | BY: | DATE: | NO. | BY: | DATE: |
| 1 | | | 3 | | |
| 2 | | | 4 | | |
| SHEET NO. | | | | | S-27 |
| TOTAL SHEETS | | | | | 35 |



DRAWN BY : P.C. BREWER DATE : 7/14/04
 CHECKED BY : J.L. WALTON DATE : 9/15/04