

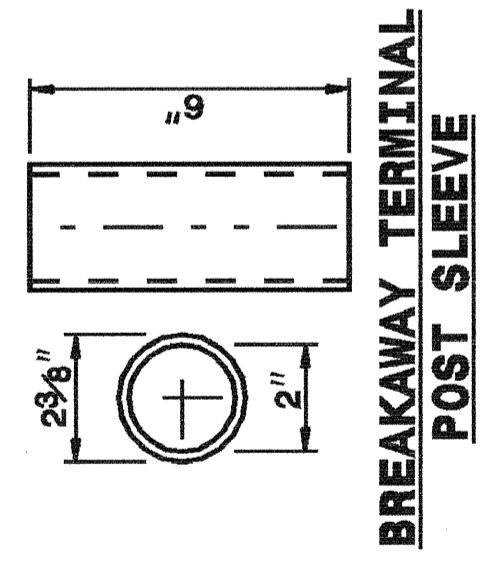
I:\MAY-2003\1432
W:\Special Details\picard\stds\02\stds to Special Details\english\862d02\0862d02.dgn
picard AT DSI88668

5/14/99

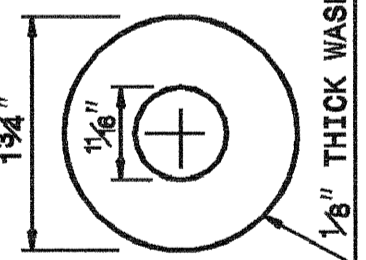
STATE OF
NORTH CAROLINA
DEPT. OF TRANSPORTATION
DIVISION OF HIGHWAYS
RALEIGH, N.C.

ENGLISH DETAIL DRAWING FOR
GUARDRAIL INSTALLATION

SHEET 5 OF 7
862D02

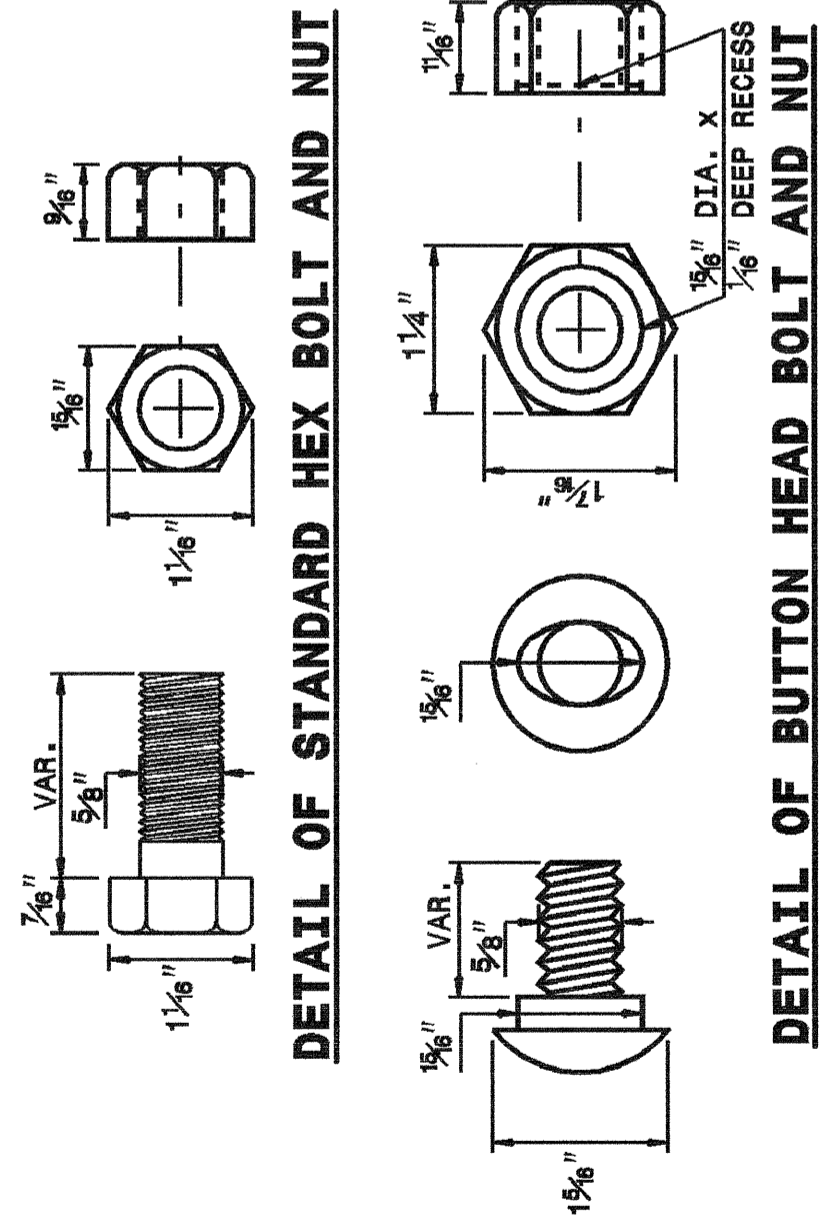


BREAKAWAY TERMINAL POST SLEEVE

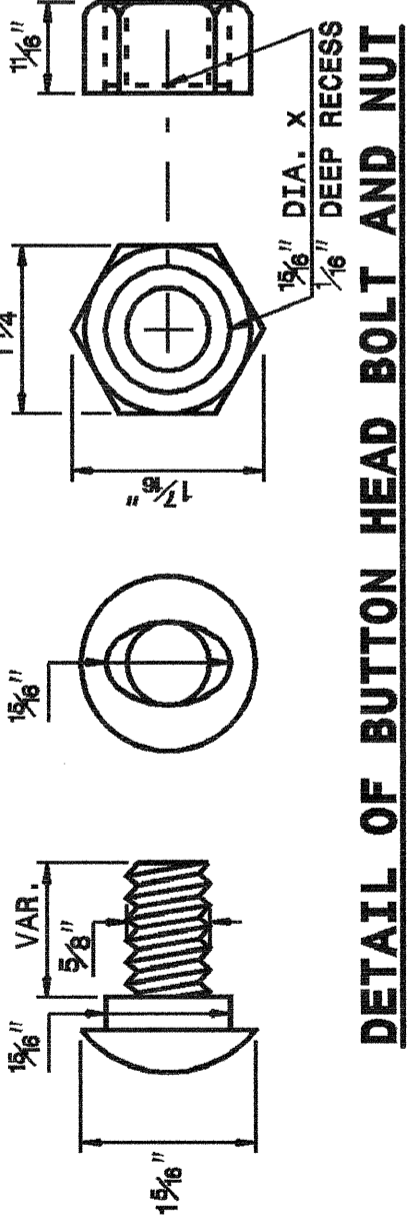


DETAIL OF STANDARD WASHER

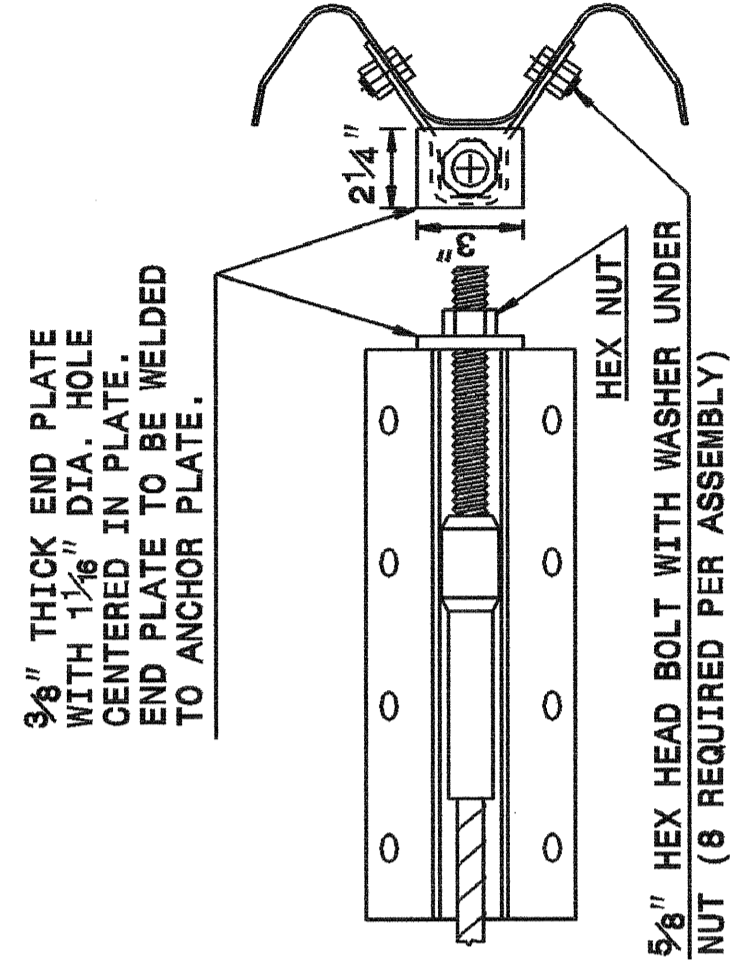
STANDARD WASHER: TYPICAL USE UNDER NUT WITH WOOD POST



DETAIL OF STANDARD HEX BOLT AND NUT



DETAIL OF BUTTON HEAD BOLT AND NUT

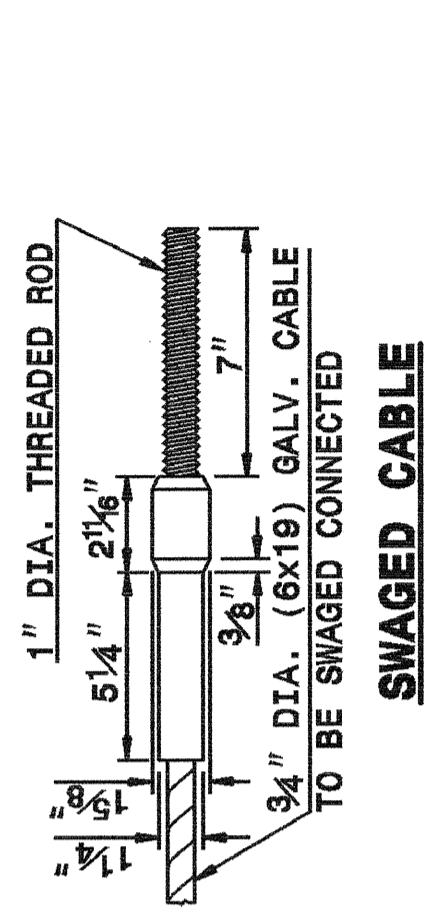


ANCHOR PLATE ASSEMBLY

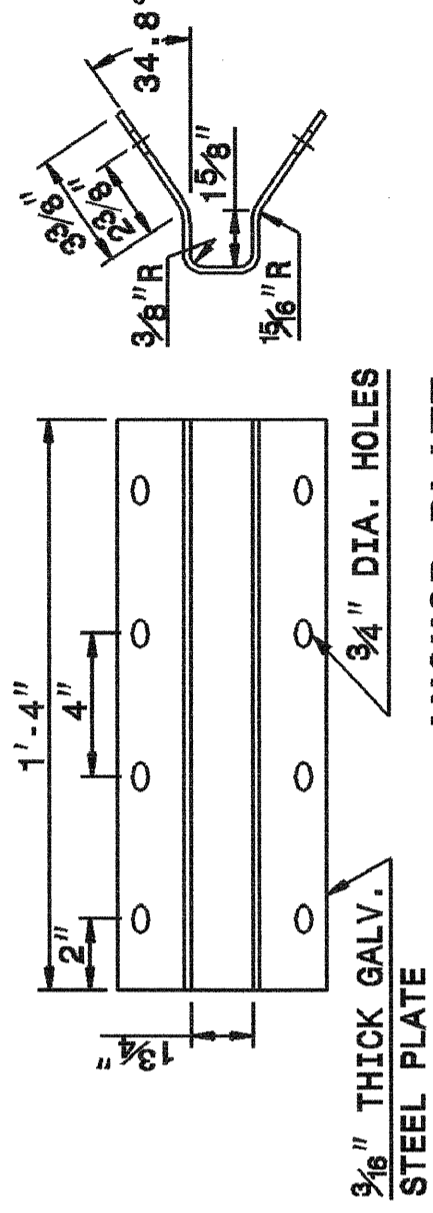
STATE OF
NORTH CAROLINA
DEPT. OF TRANSPORTATION
DIVISION OF HIGHWAYS
RALEIGH, N.C.

5/8" HEX HEAD BOLT WITH WASHER UNDER NUT (8 REQUIRED PER ASSEMBLY)

3/8" THICK END PLATE WITH 1 1/8" DIA. HOLE CENTERED IN PLATE. WELDED TO ANCHOR PLATE.



SWAGED CABLE



ANCHOR PLATE

CABLE ASSEMBLY

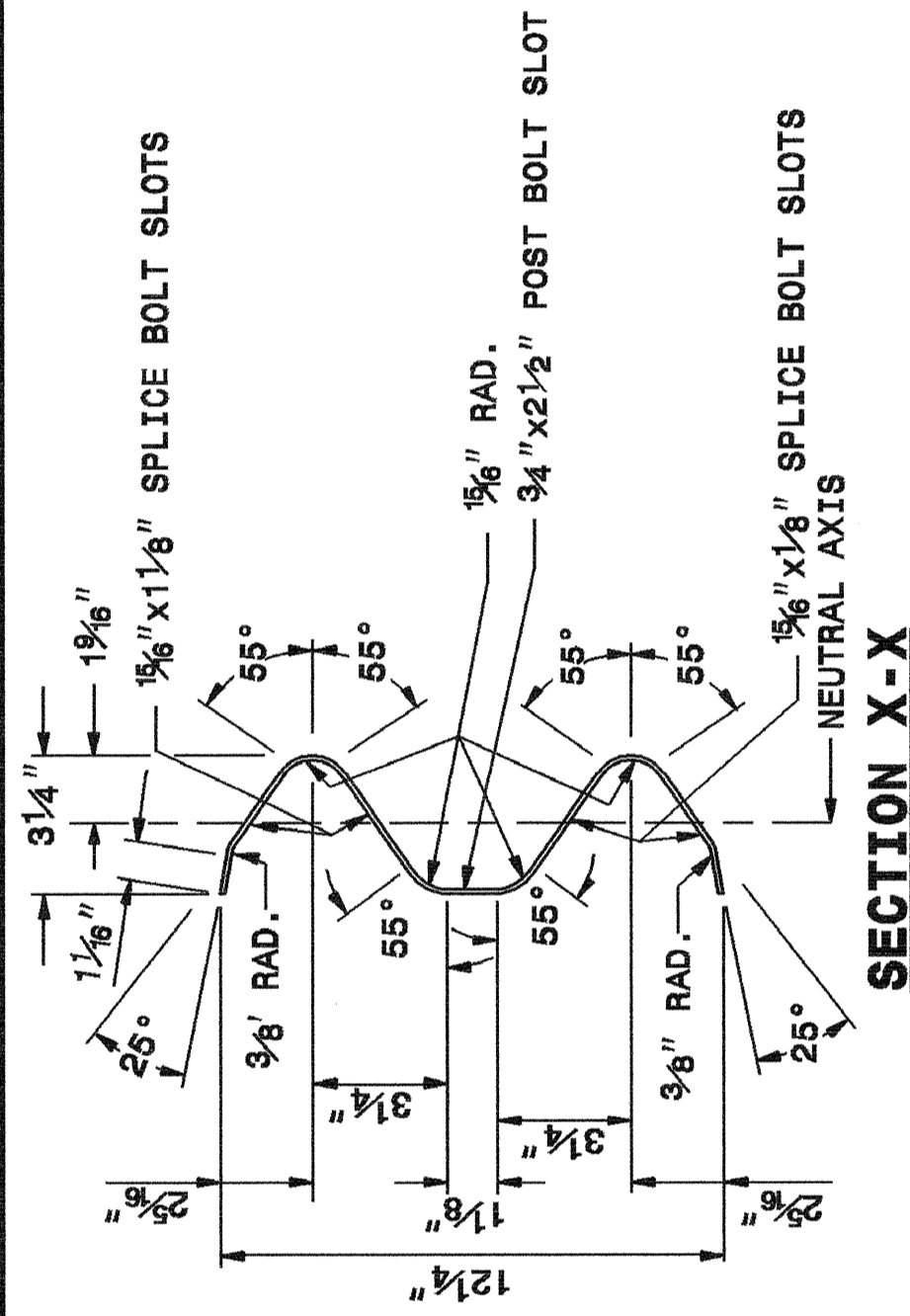
SHEET 6 OF 7
862D02

ENGLISH DETAIL DRAWING FOR
GUARDRAIL INSTALLATION

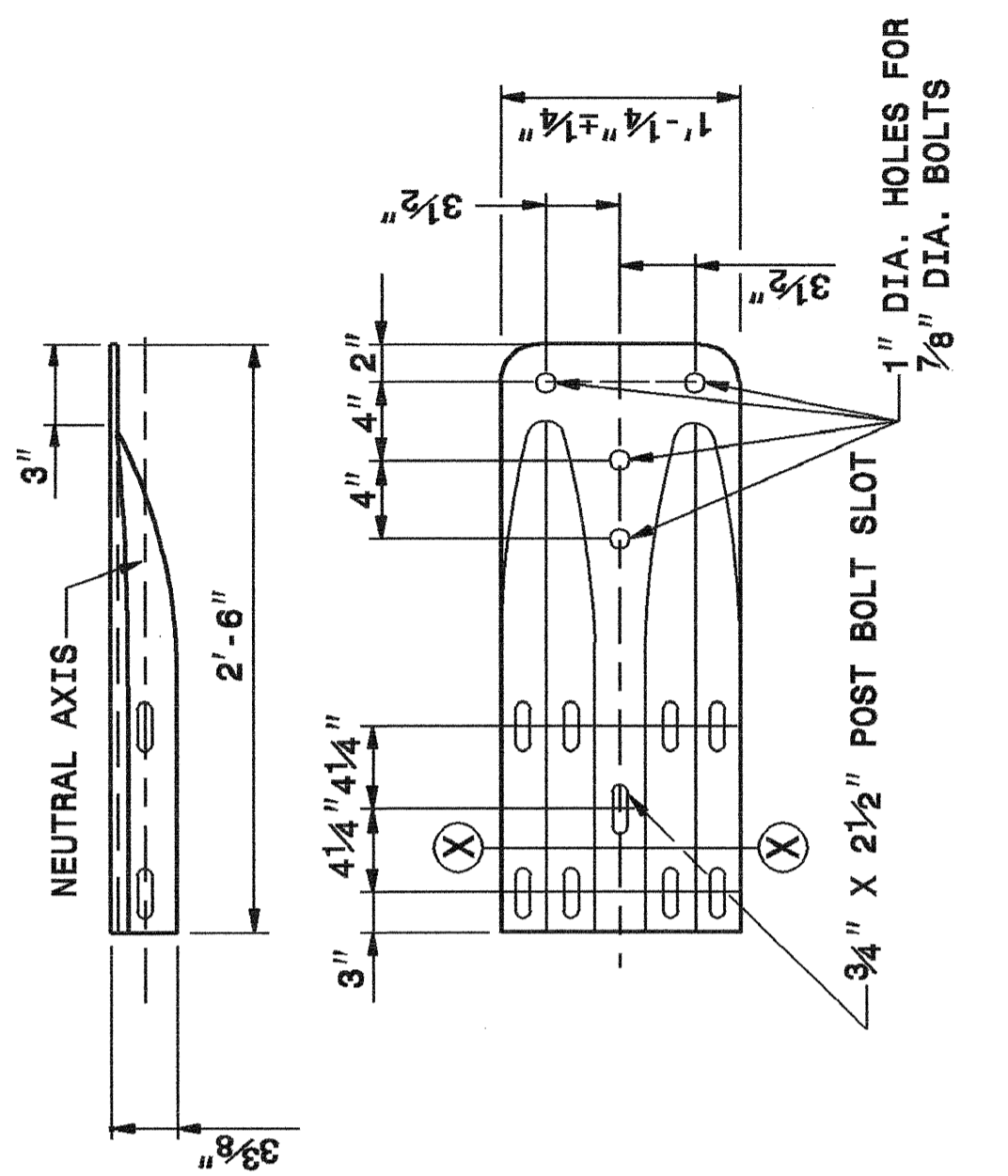
STATE OF
NORTH CAROLINA
DEPT. OF TRANSPORTATION
DIVISION OF HIGHWAYS
RALEIGH, N.C.

ENGLISH DETAIL DRAWING FOR
GUARDRAIL INSTALLATION

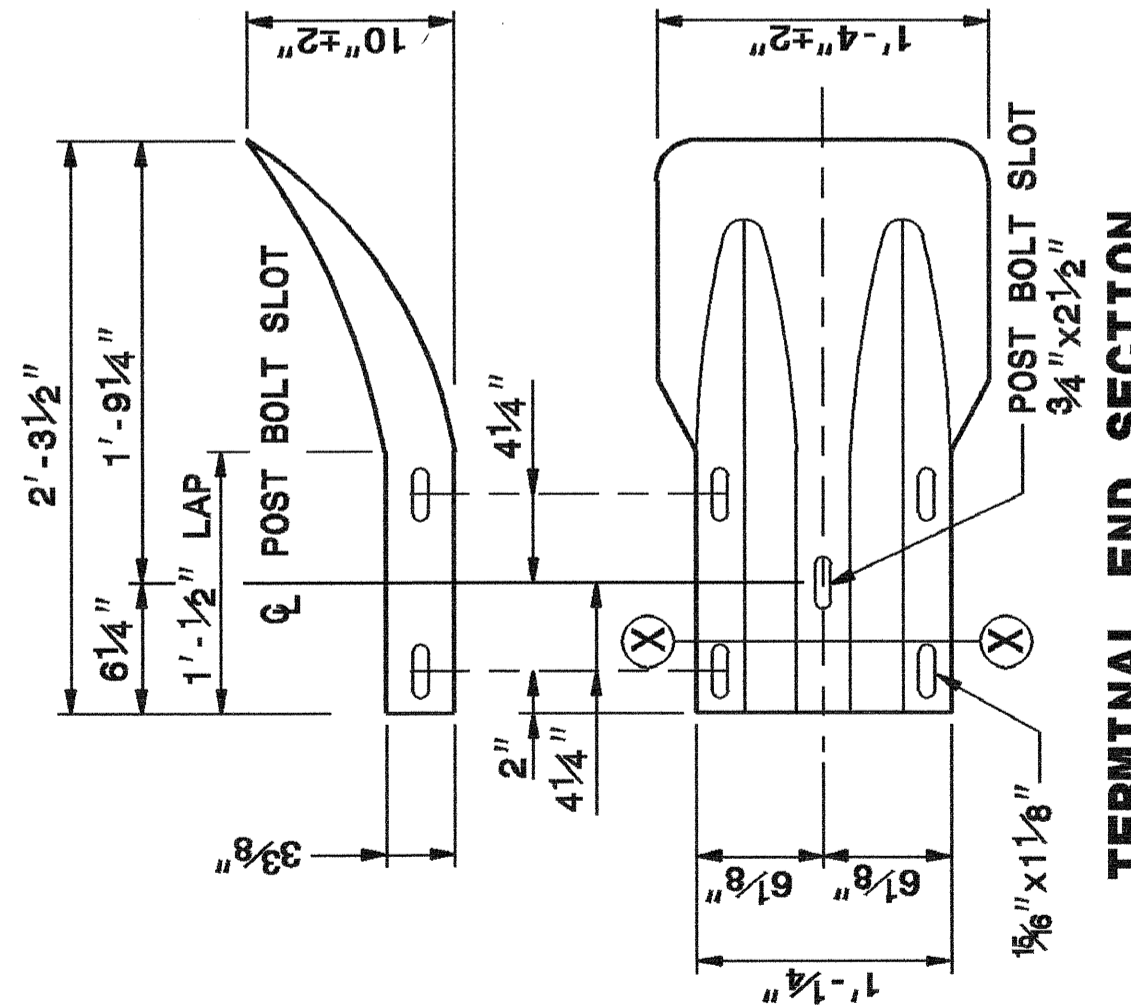
SHEET 6 OF 7
862D02



SECTION X-X



TYPICAL END SHOE



TERMINAL END SECTION

STATE OF
NORTH CAROLINA
DEPT. OF TRANSPORTATION
DIVISION OF HIGHWAYS
RALEIGH, N.C.

ENGLISH DETAIL DRAWING FOR
GUARDRAIL INSTALLATION

SHEET 6 OF 7
862D02

ENGLISH DETAIL DRAWING FOR
GUARDRAIL INSTALLATION

DESIGN SERVICES UNIT
STANDARDS AND SPECIAL DESIGN
Office 919-250-4128 FAX 919-250-4119

SEE PLATE FOR TITLE

ORIGINAL BY: 2002 STD. 862.02 DATE:
MODIFIED BY: E.E. WARD DATE: 02-09-03
CHECKED BY: DATE:
FILE SPEC.: jusr/stds/02todetail/english/862d02/862d02.dgn

