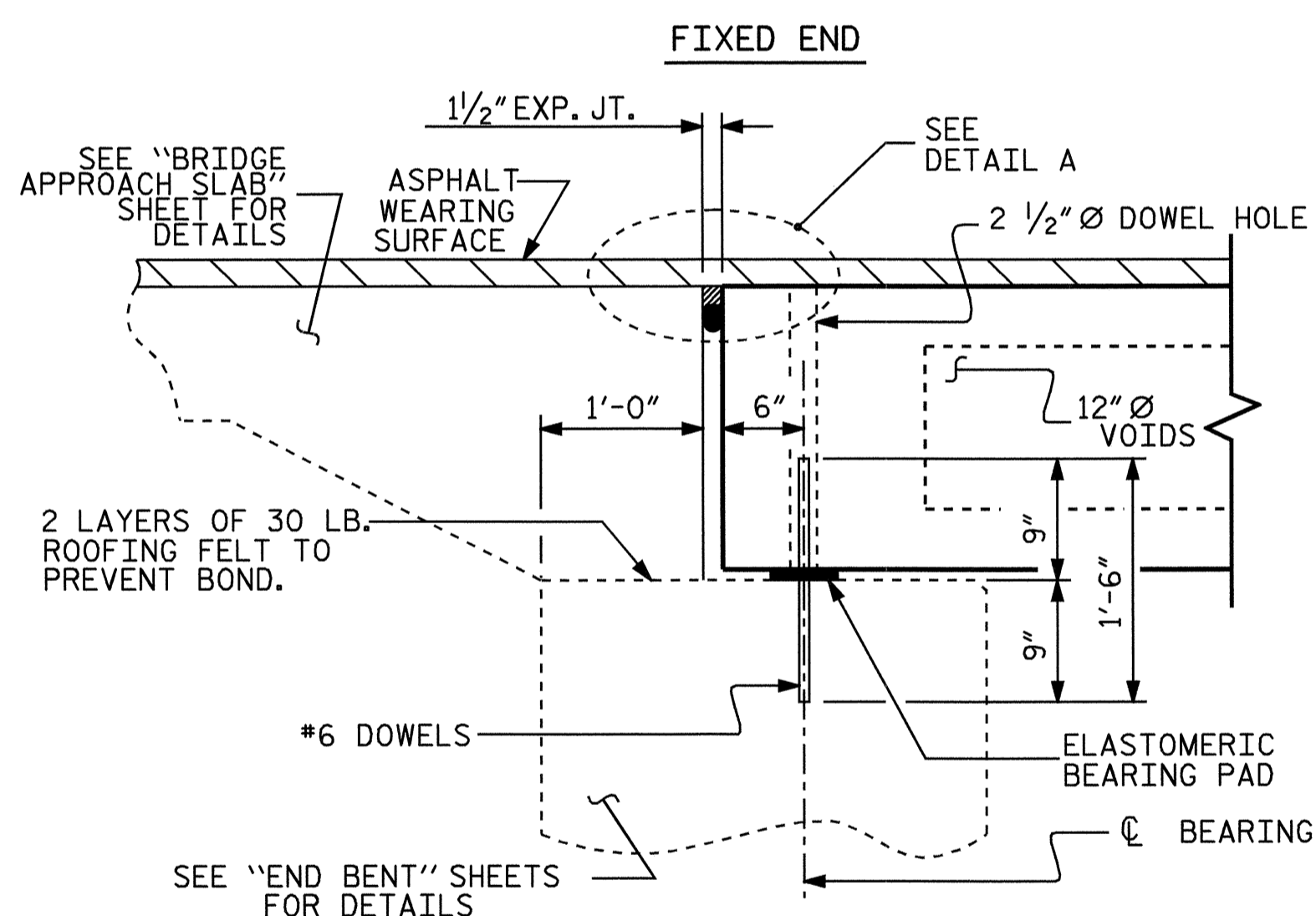
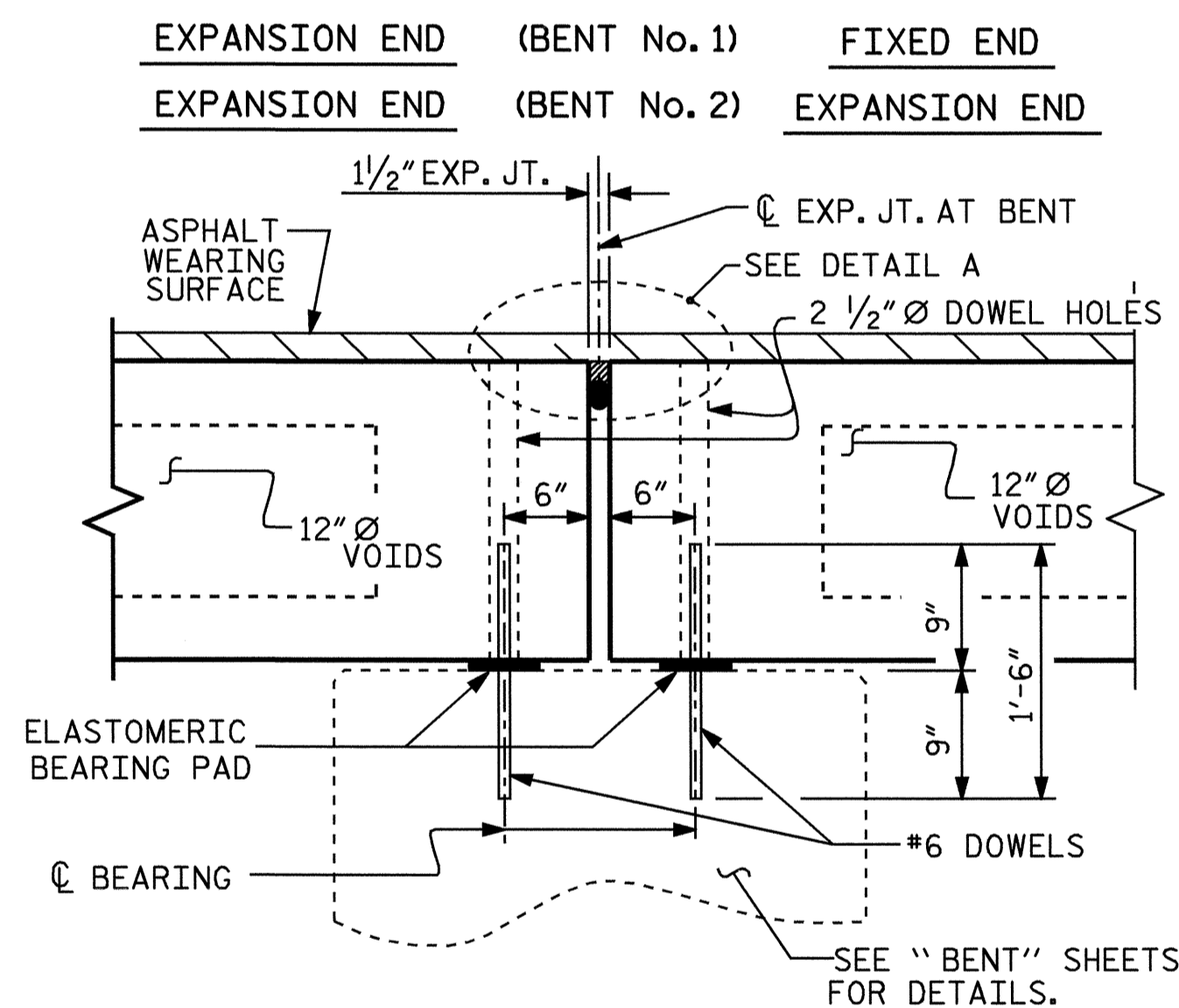


HALF-SECTION @ INTERMEDIATE DIAPHRAGM HALF-SECTION AT 12" Ø VOIDS

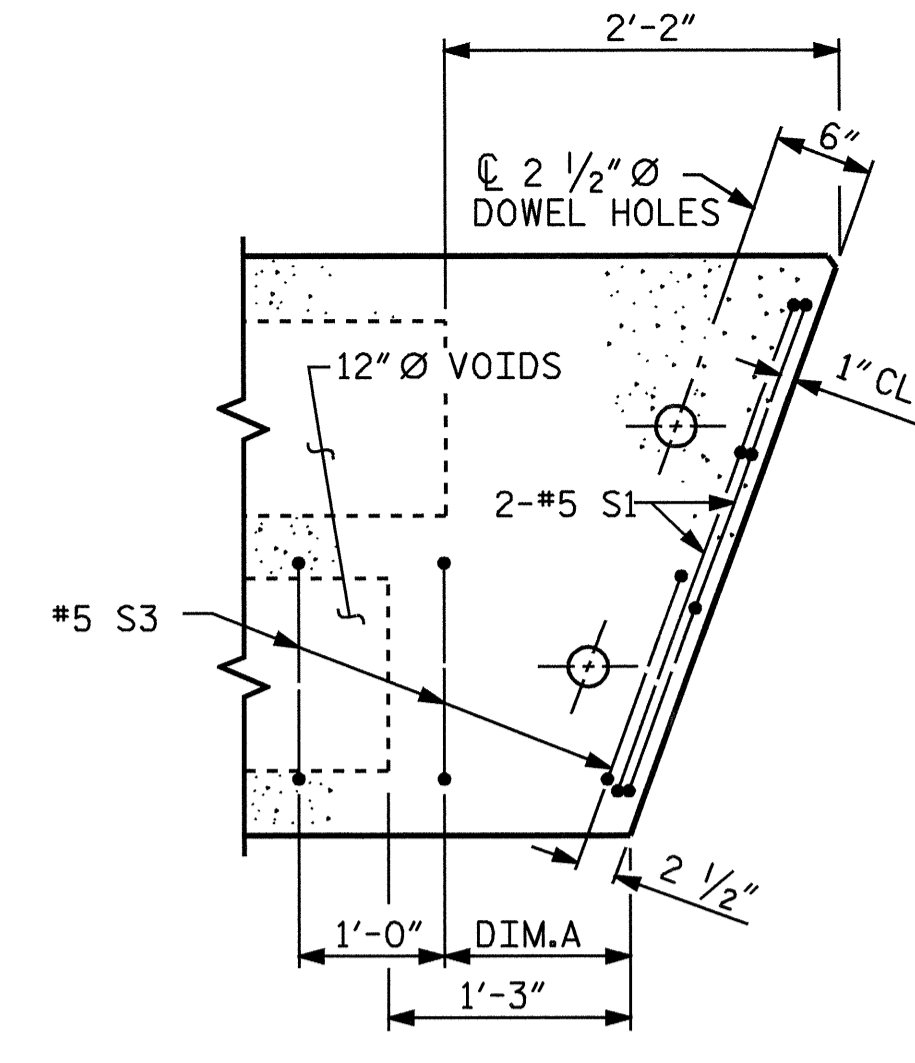
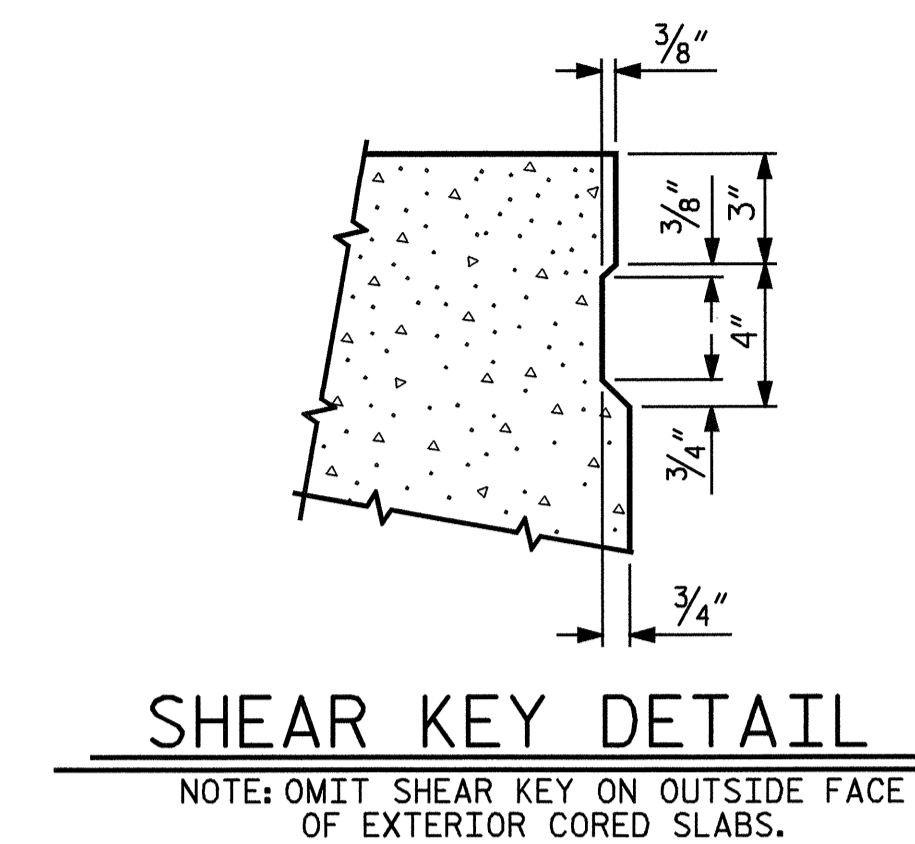
TYPICAL SECTION



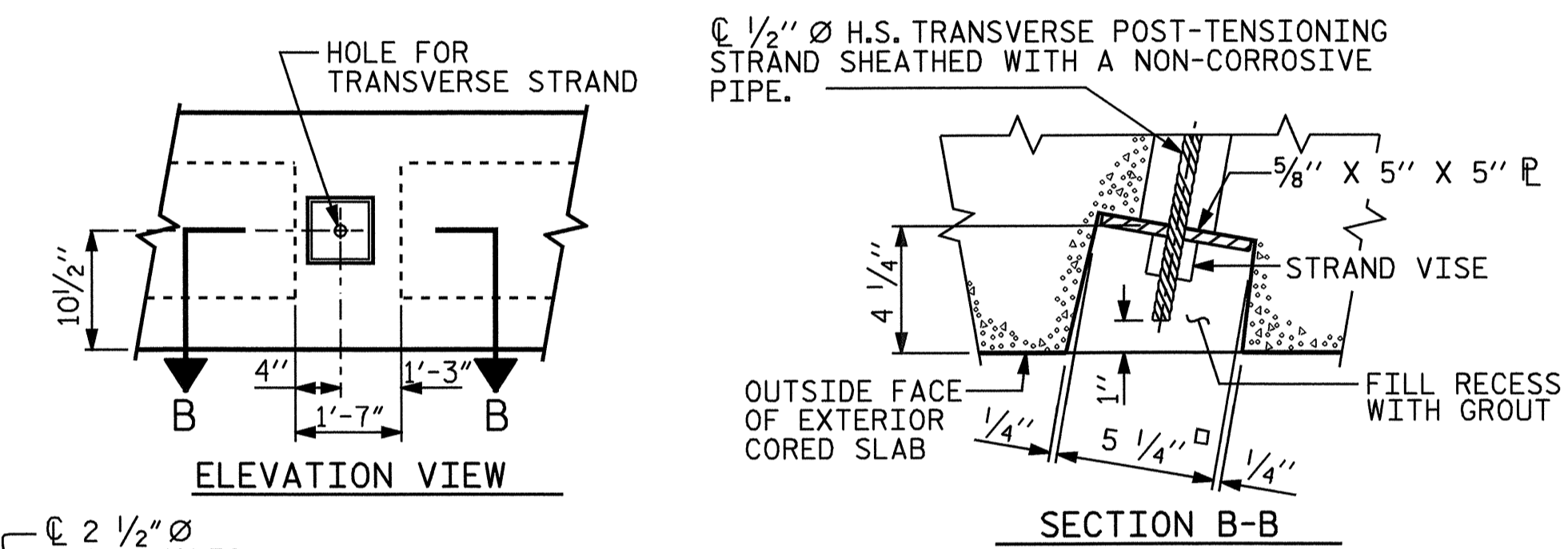
SECTION @ END BENTS



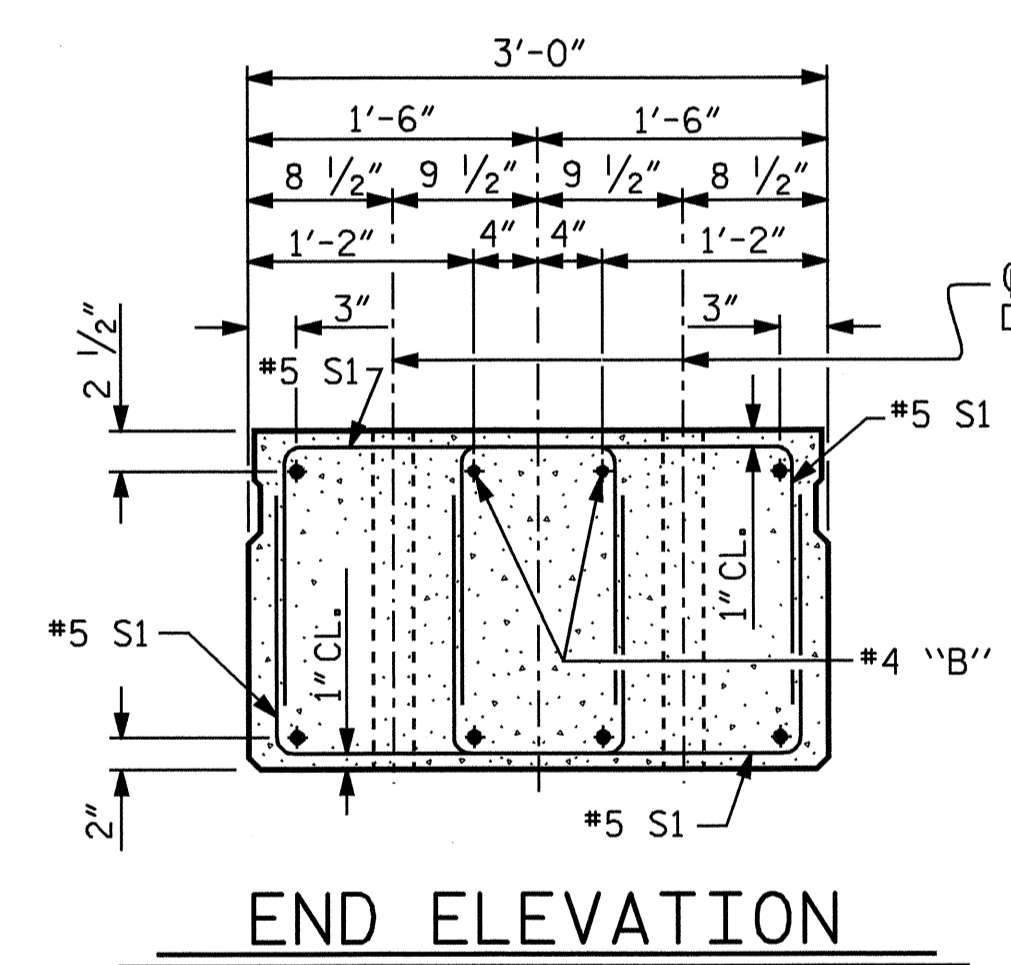
SECTION @ BENTS



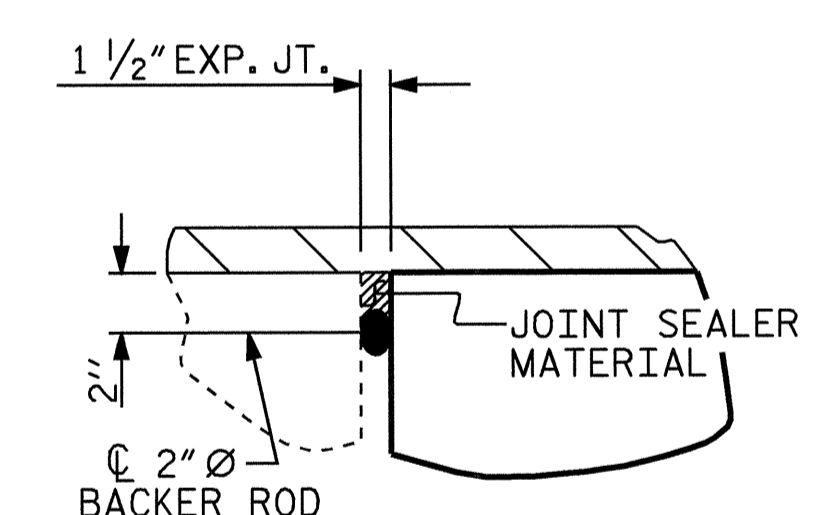
PART PLAN-EXTERIOR SECTION
NOTE: EXTERIOR SECTION SHOWN-INTERIOR SECTION SIMILAR EXCEPT OMIT S3 BARS. SEE PLAN OF SPAN FOR DIM. A



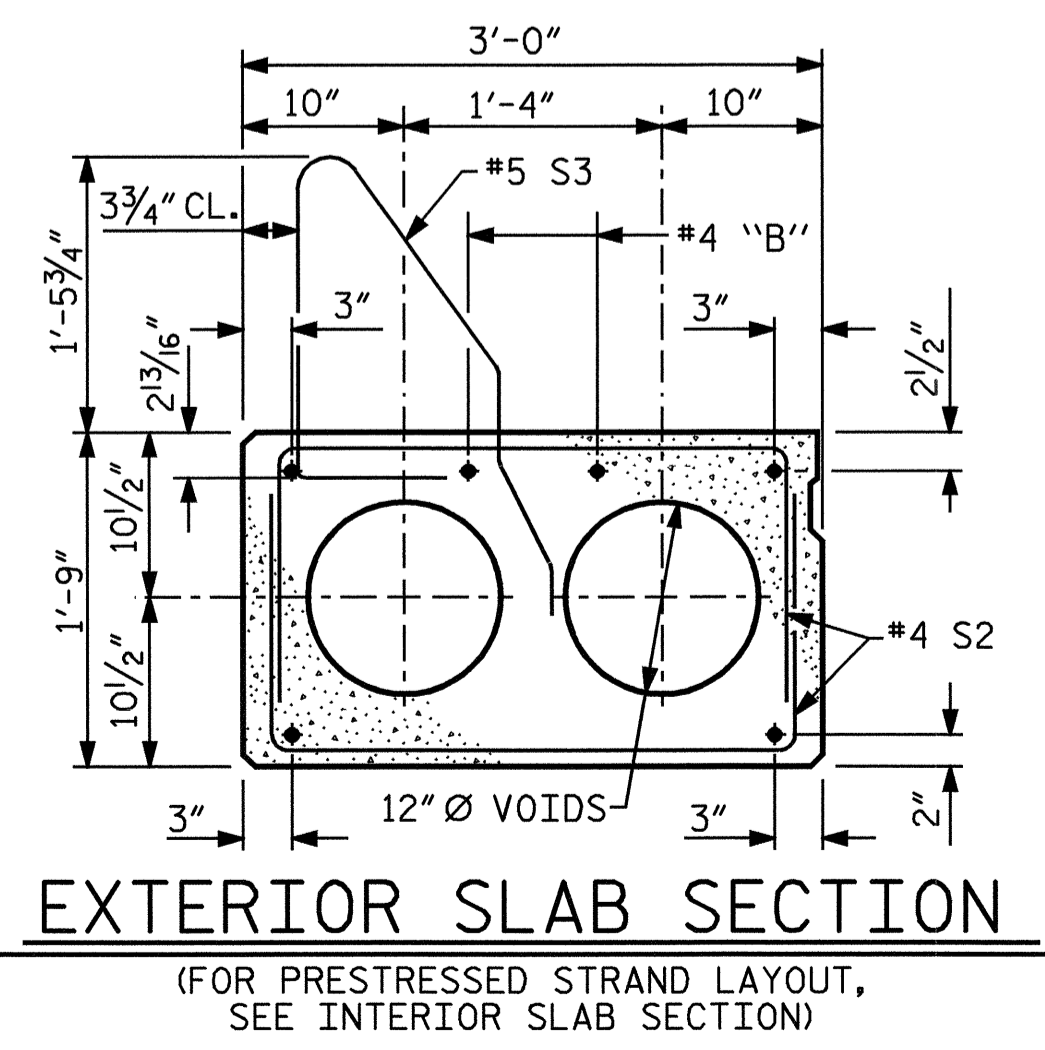
GROUTED RECESS AT END OF POST-TENSION STRAND-CORED SLABS



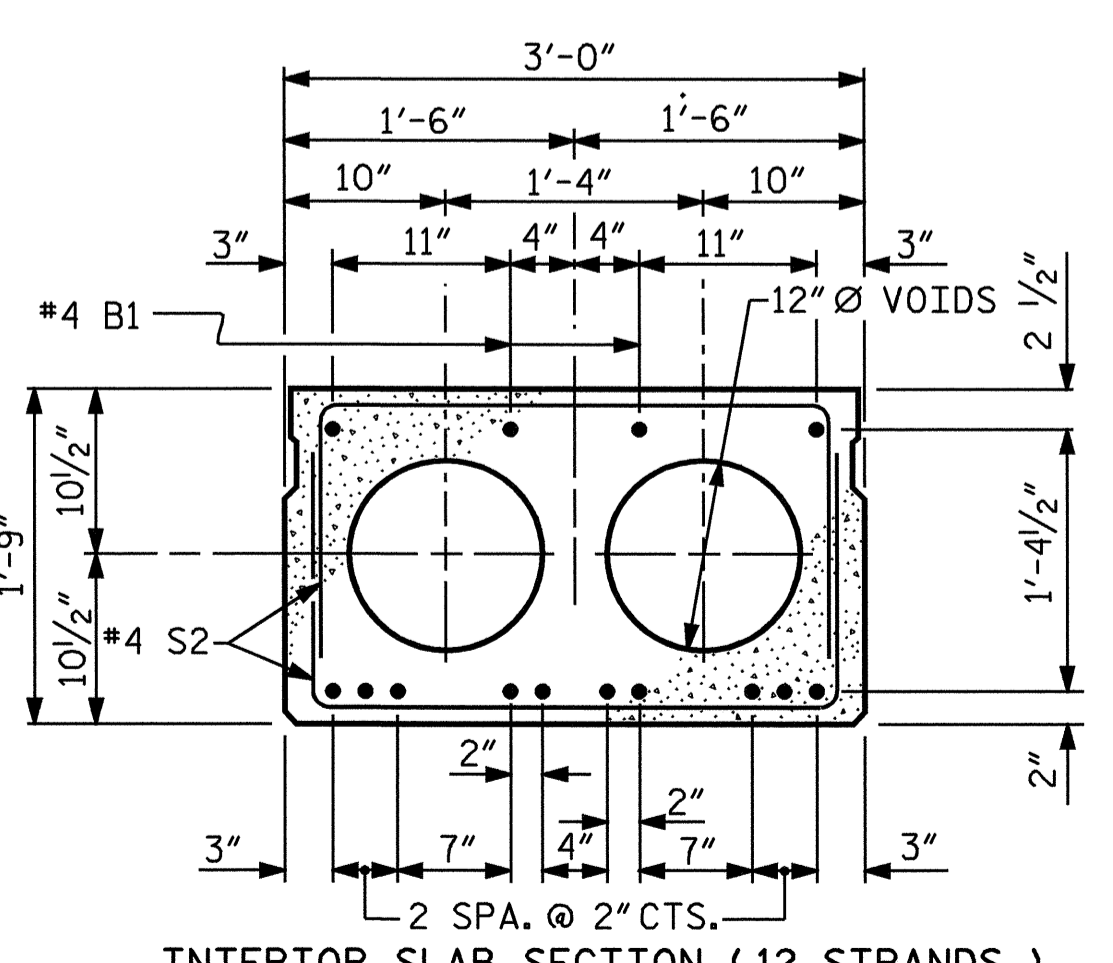
END ELEVATION



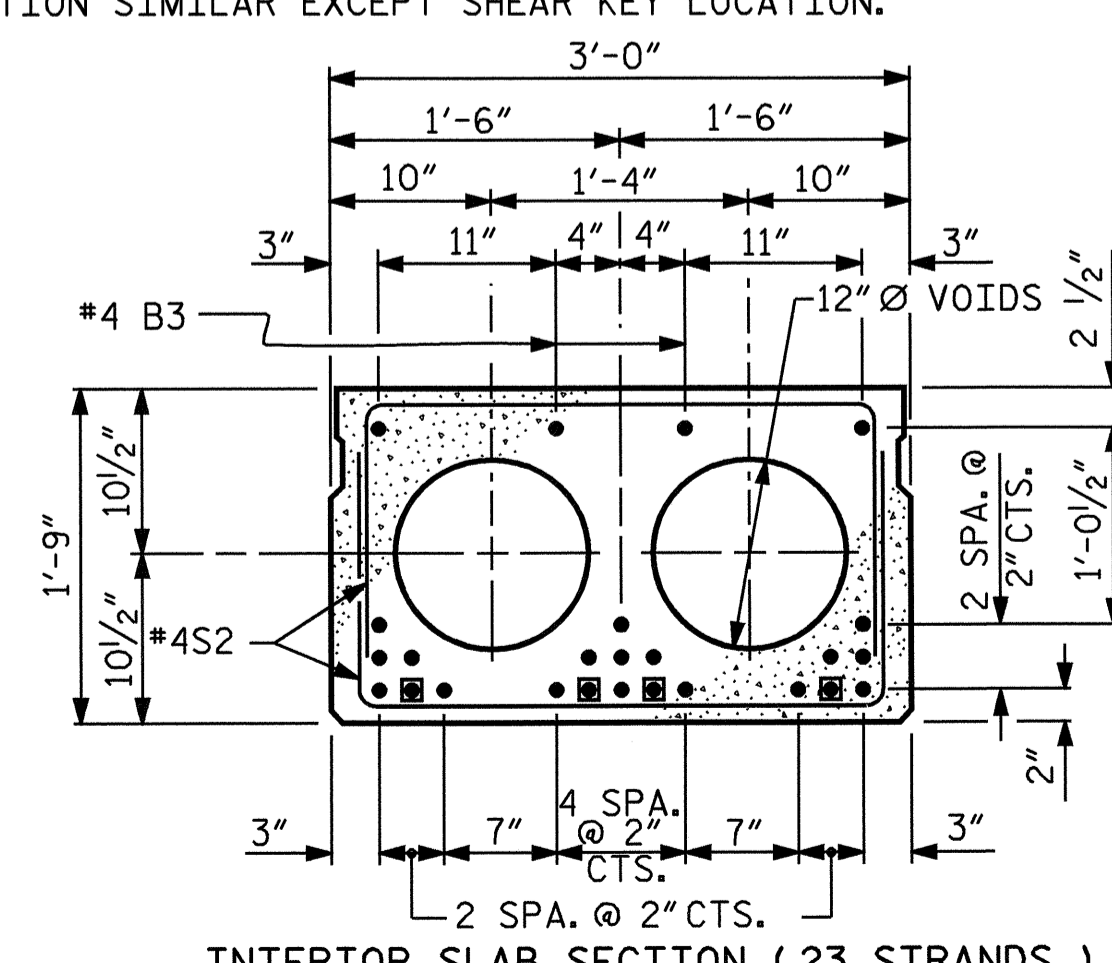
DETAIL A



EXTERIOR SLAB SECTION
(FOR PRESTRESSED STRAND LAYOUT, SEE INTERIOR SLAB SECTION)

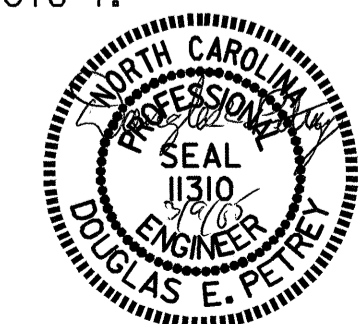


1/2" Ø LOW RELAXATION STRAND LAYOUT SPANS A & C



1/2" Ø LOW RELAXATION STRAND LAYOUT SPAN B

■ BOND SHALL BE BROKEN ON THESE STRANDS FOR A DISTANCE OF 4'-0" FROM THE END OF THE CORED SLAB UNIT. SEE STANDARD SPECIFICATIONS ARTICLE 1078-7.



PROJECT NO. B-3709
WATAUGA COUNTY
 STATION: 16+99.00 -L-

SHEET 1 OF 5

REVISIONS						SHEET NO.
NO.	BY:	DATE:	NO.	BY:	DATE:	S-4
1			3			TOTAL SHEETS
2			4			23

DRAWN BY: A.R.CHESSON DATE: 8-04
 CHECKED BY: MIKE BRITT DATE: 10-12-04