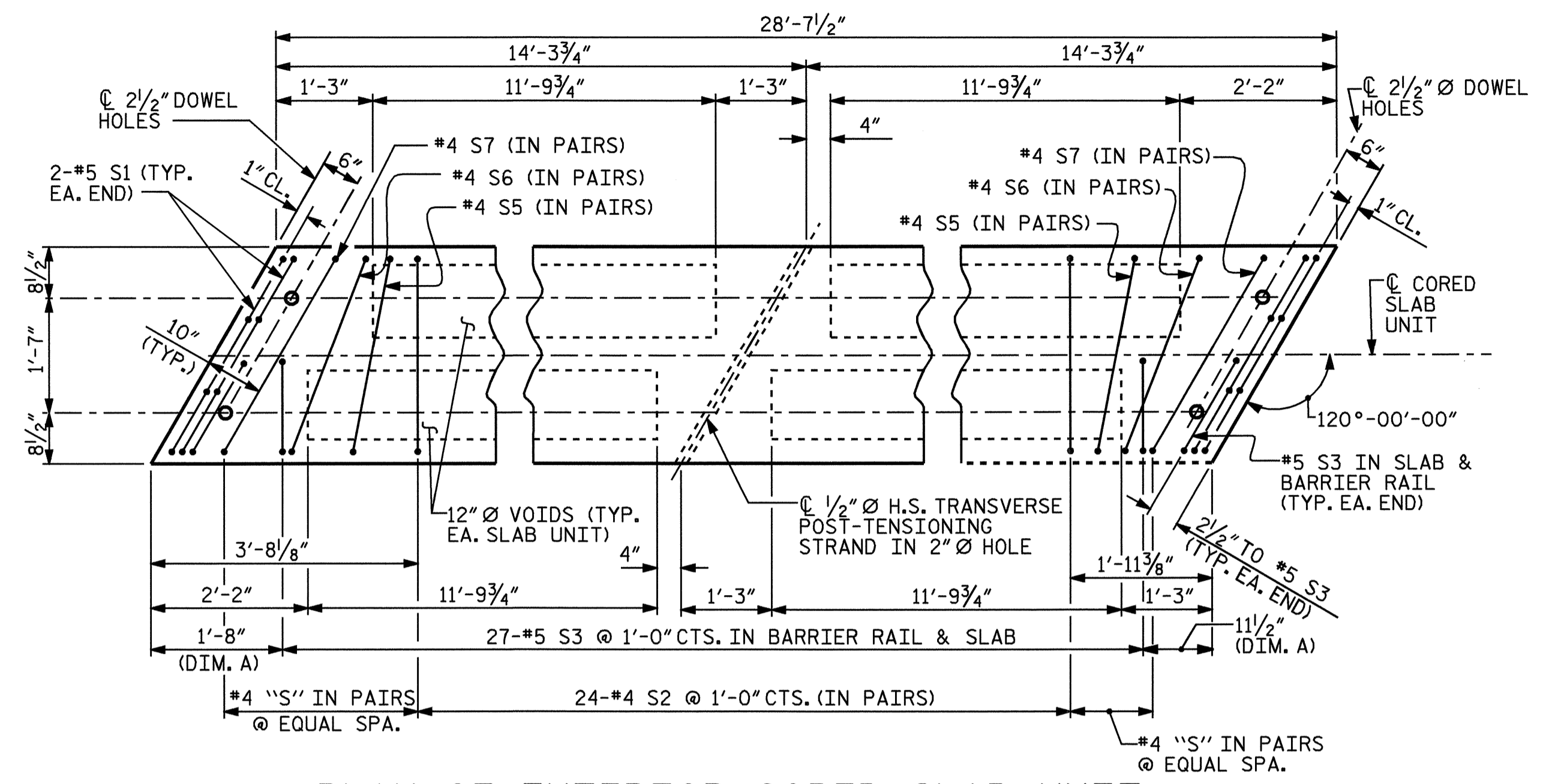
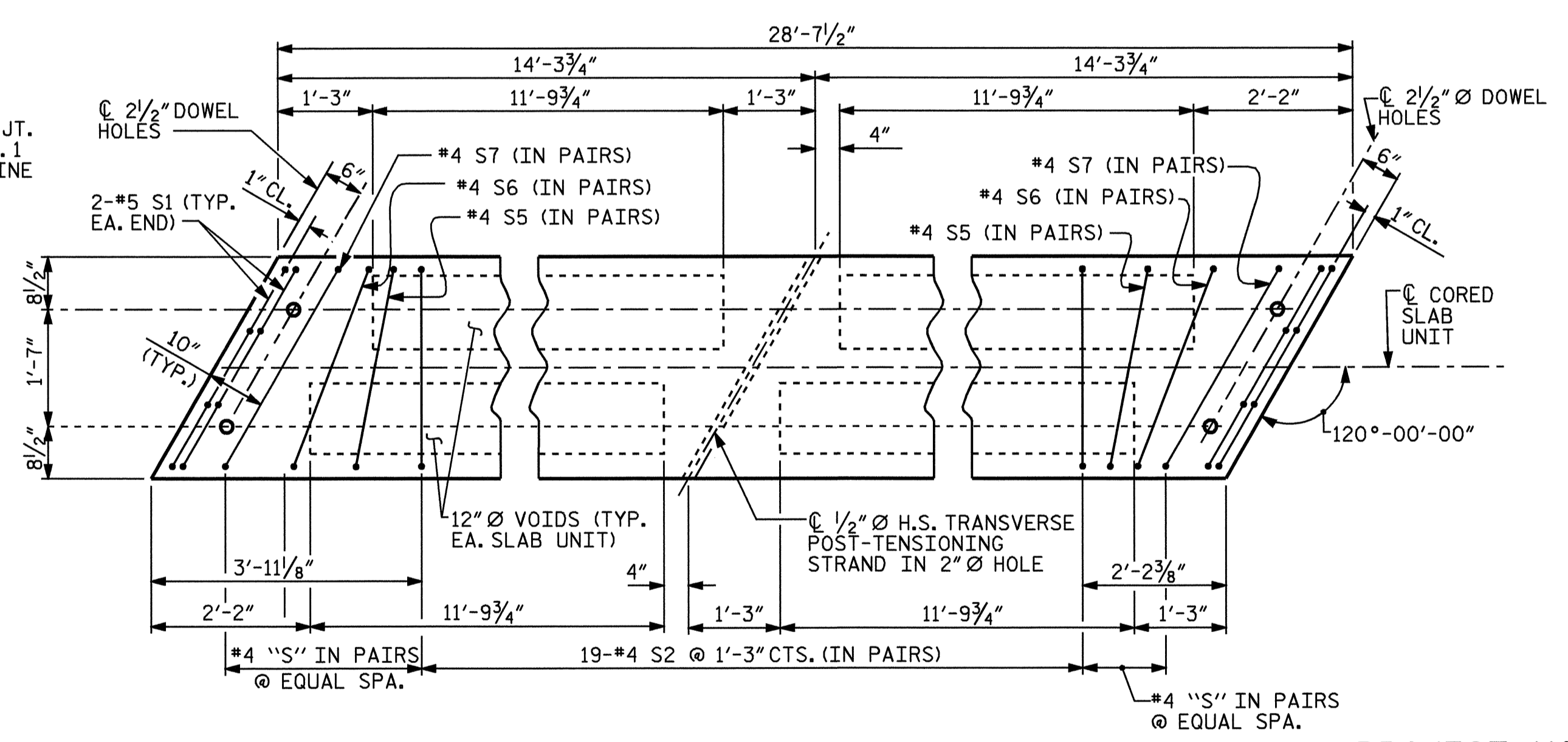


PLAN OF SPAN A



PLAN OF EXTERIOR CORED SLAB UNIT



PLAN OF INTERIOR CORED SLAB UNIT

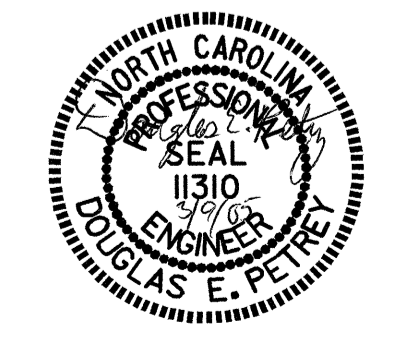
PROJECT NO. B-3709
WATAUGA COUNTY
 STATION: 16+99.00 -L-

SHEET 2 OF 5

STATE OF NORTH CAROLINA
 DEPARTMENT OF TRANSPORTATION
 RALEIGH

SUPERSTRUCTURE
 PLAN OF SPAN A

REVISIONS						SHEET NO.
NO.	BY:	DATE:	NO.	BY:	DATE:	S-5
1			3			TOTAL SHEETS
2			4			23



DRAWN BY: A.R.CHESSON DATE: 8-04
 CHECKED BY: MIKE BRITT DATE: 10-12-04