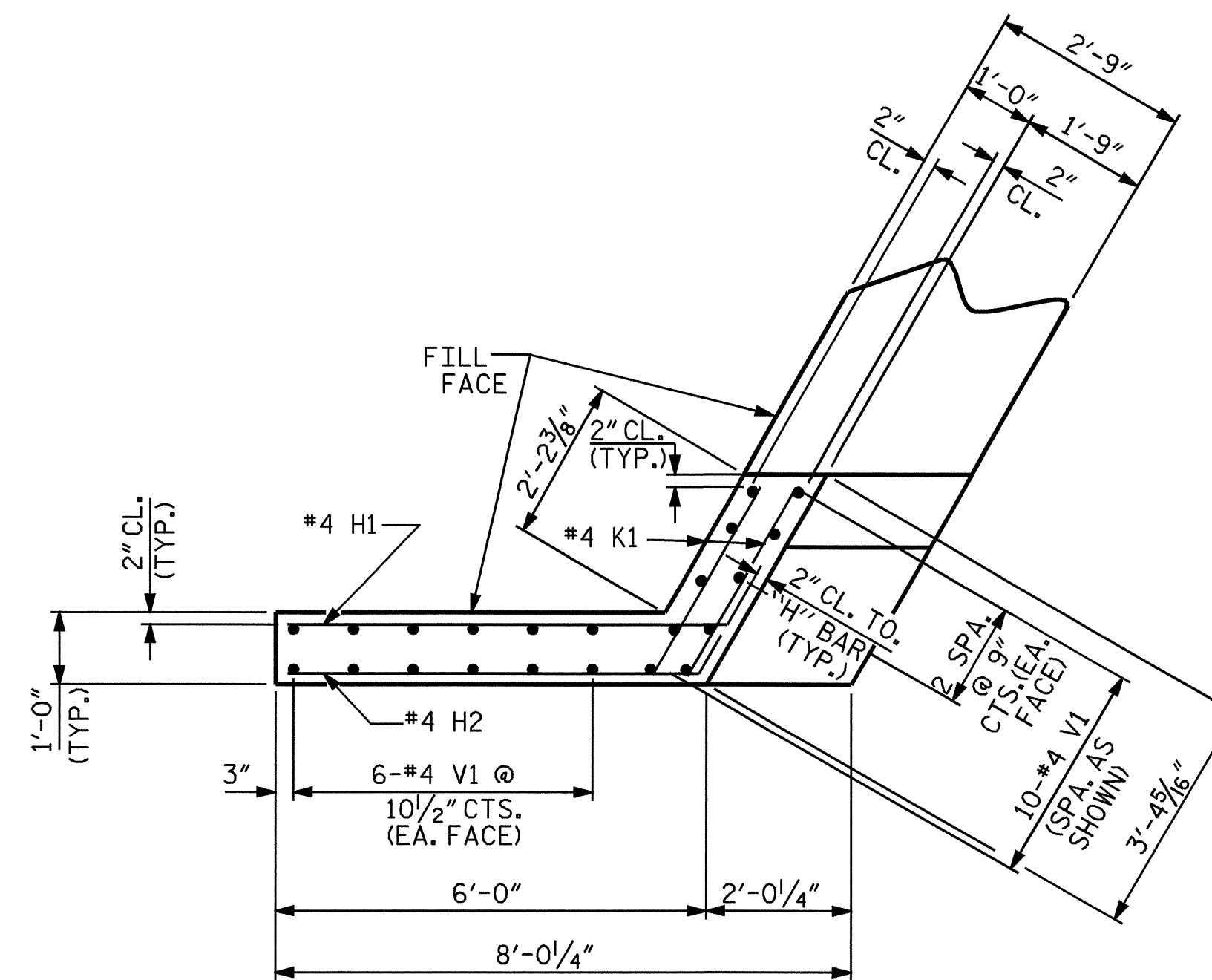
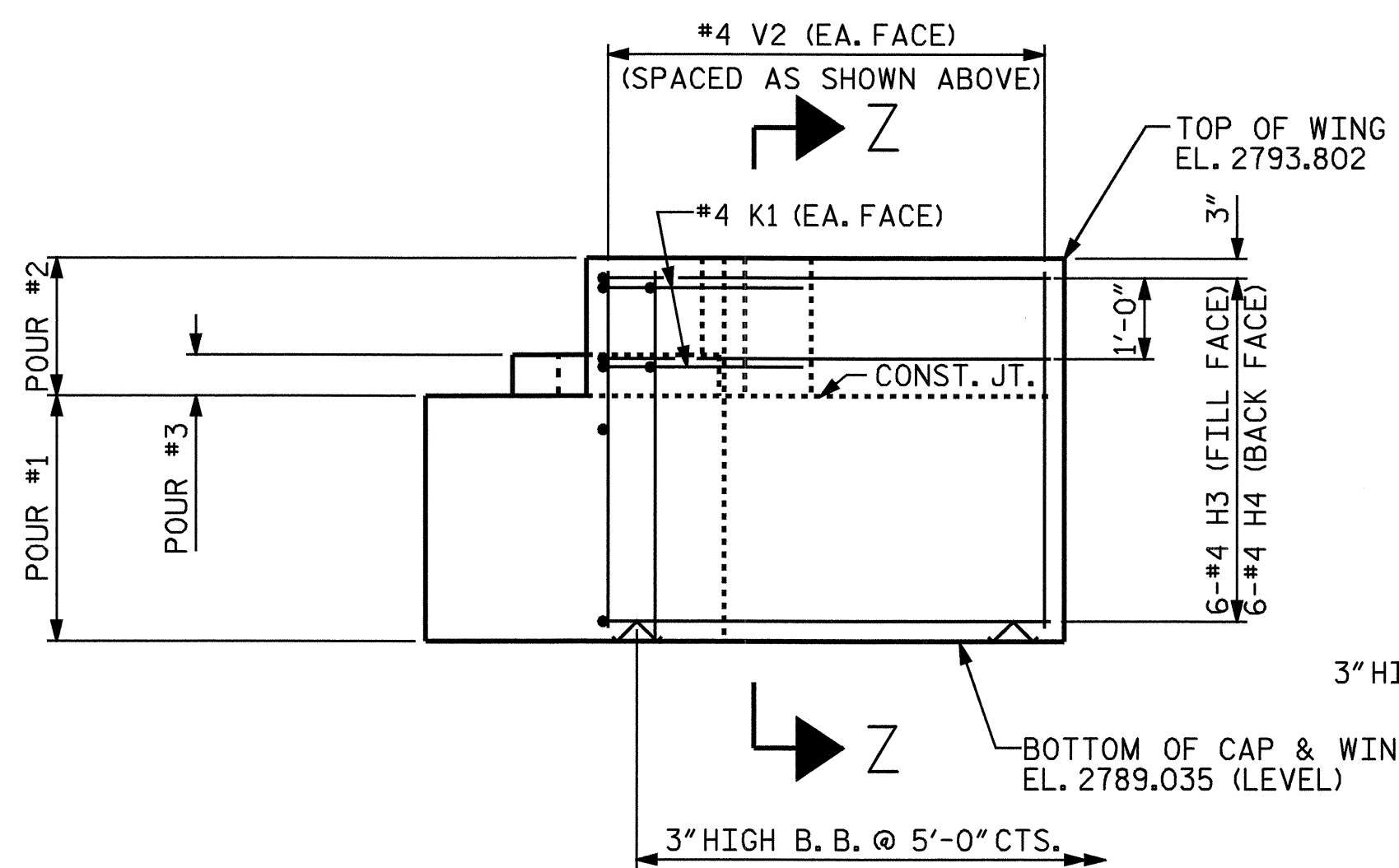


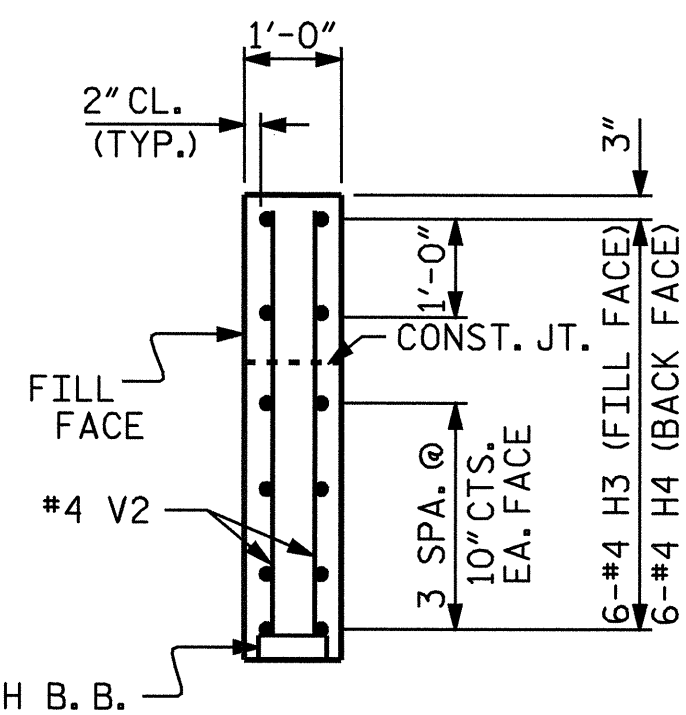
PLAN OF WING (W1)



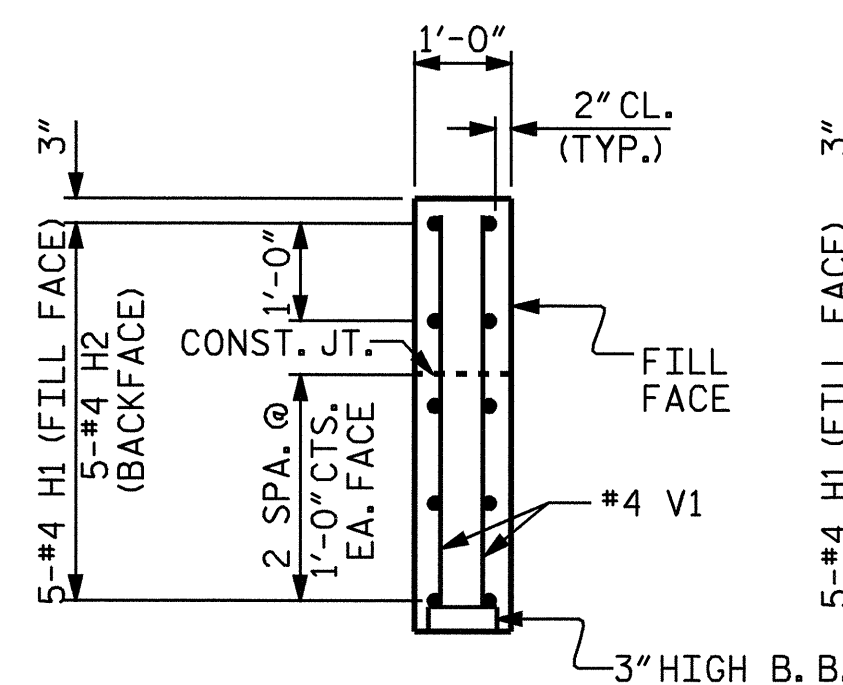
PLAN OF WING (W2)



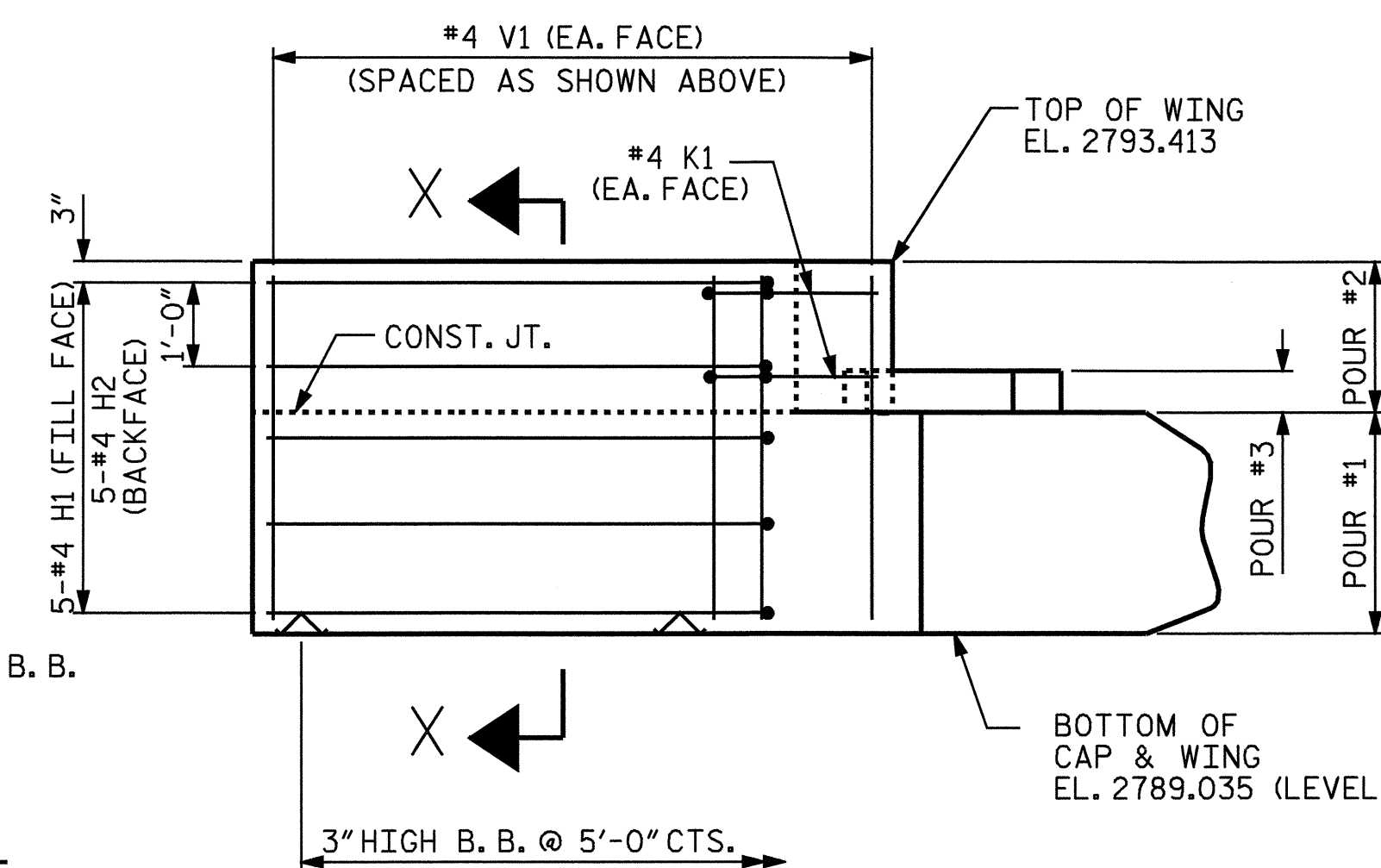
ELEVATION OF WING (W1)



SECTION Z-Z



SECTION X-X



ELEVATION OF WING (W2)

PROJECT NO. B-3709
 WATAUGA COUNTY
 STATION: 16+99.00 -L-

SHEET 2 OF 3

STATE OF NORTH CAROLINA
 DEPARTMENT OF TRANSPORTATION
 RALEIGH
 SUBSTRUCTURE
 END BENT No. 1



DRAWN BY: R. G. EMERSON DATE: 10/04
 CHECKED BY: A. R. CHESSON DATE: 11/04

REVISIONS						SHEET NO.
NO.	BY:	DATE:	NO.	BY:	DATE:	TOTAL SHEETS
1			3			23
2			4			