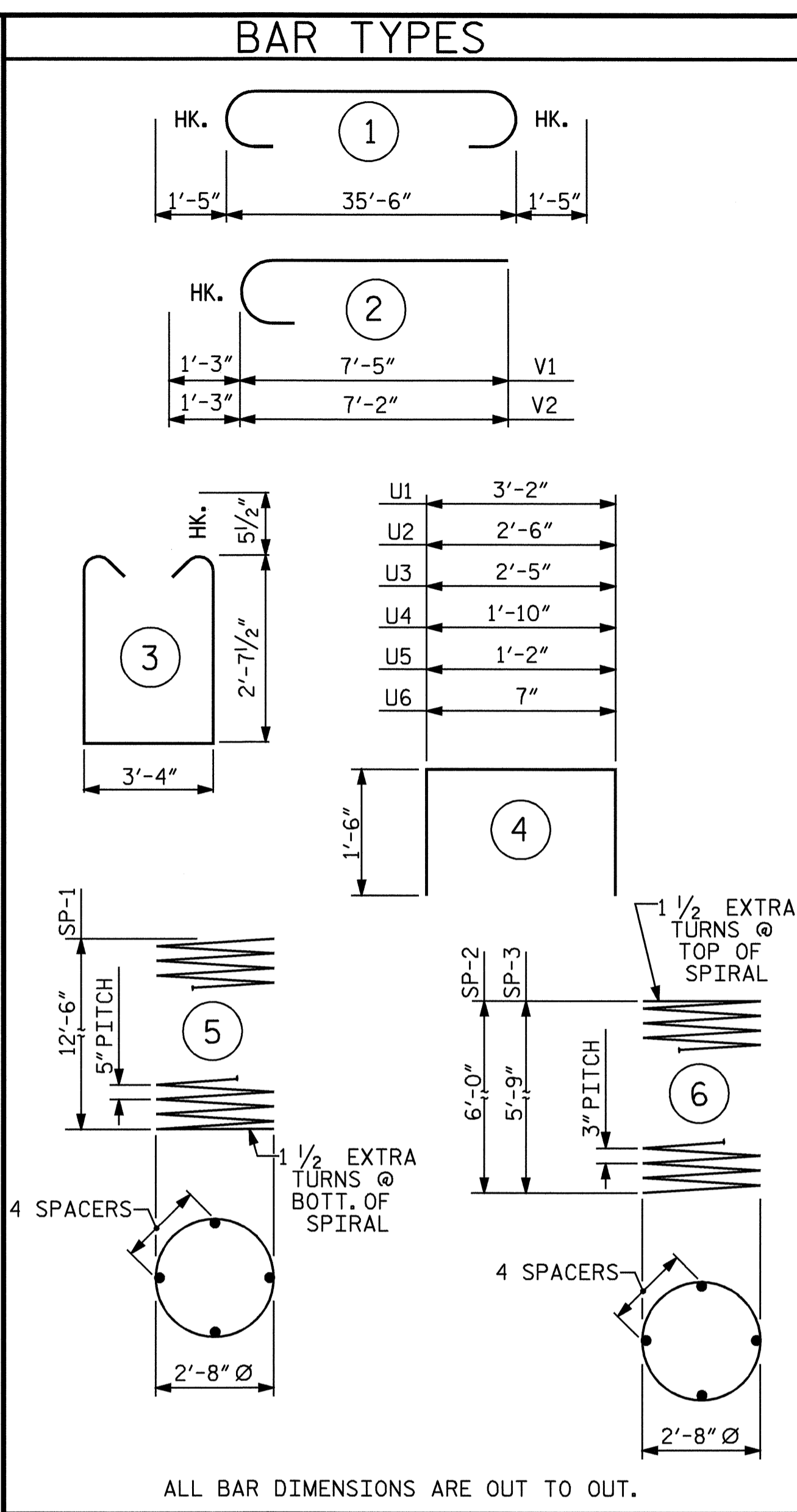


**PLAN OF DRILLED PIERS & COLUMNS**  
 REINFORCING STEEL, DIMENSIONS & DETAILS ARE TYPICAL FOR EACH COLUMN & DRILLED PIER.

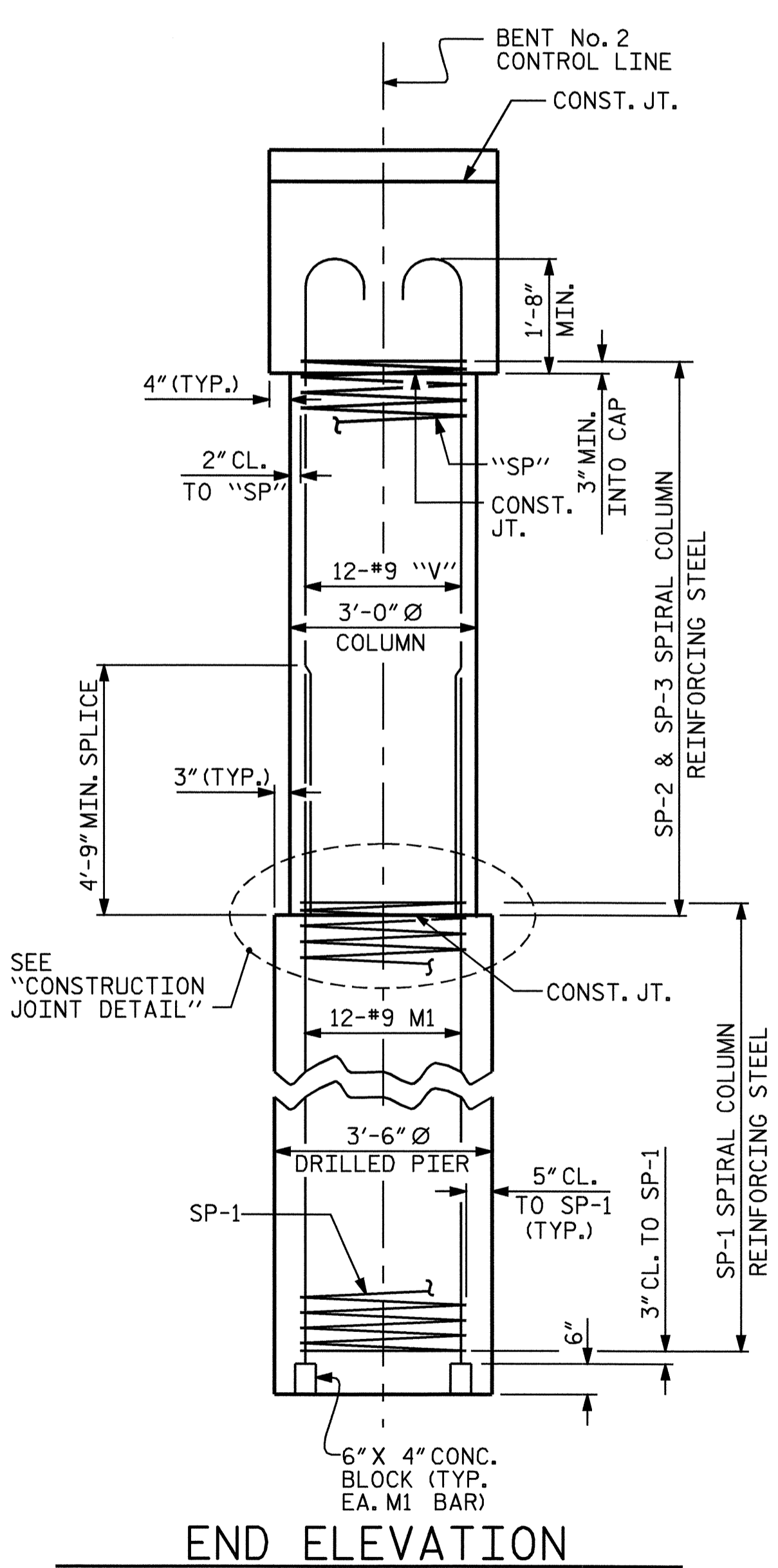


BILL OF MATERIAL					
BENT No. 2					
BAR	NO.	SIZE	TYPE	LENGTH	WEIGHT
B1	12	#10	1	38'-4"	1979
B2	4	#6	STR	35'-8"	214
B3	2	#4	STR	3'-10"	5
B4	2	#4	STR	3'-4"	4
M1	24	#9	STR	20'-3"	1652
S1	33	#5	3	9'-6"	327
U1	6	#4	4	6'-2"	25
U2	6	#4	4	5'-6"	22
U3	2	#4	4	5'-5"	7
U4	2	#4	4	4'-10"	6
U5	2	#4	4	4'-2"	6
U6	2	#4	4	3'-7"	5
V1	12	#9	2	8'-8"	354
V2	12	#9	2	8'-5"	343
REINFORCING STEEL					= 4949 LBS
SP-1	2	*	5	263'-2"	549
SP-2	1	**	6	214'-6"	143
SP-3	1	**	6	206'-3"	138
SPIRAL COLUMN REINFORCING STEEL					= 830 LBS

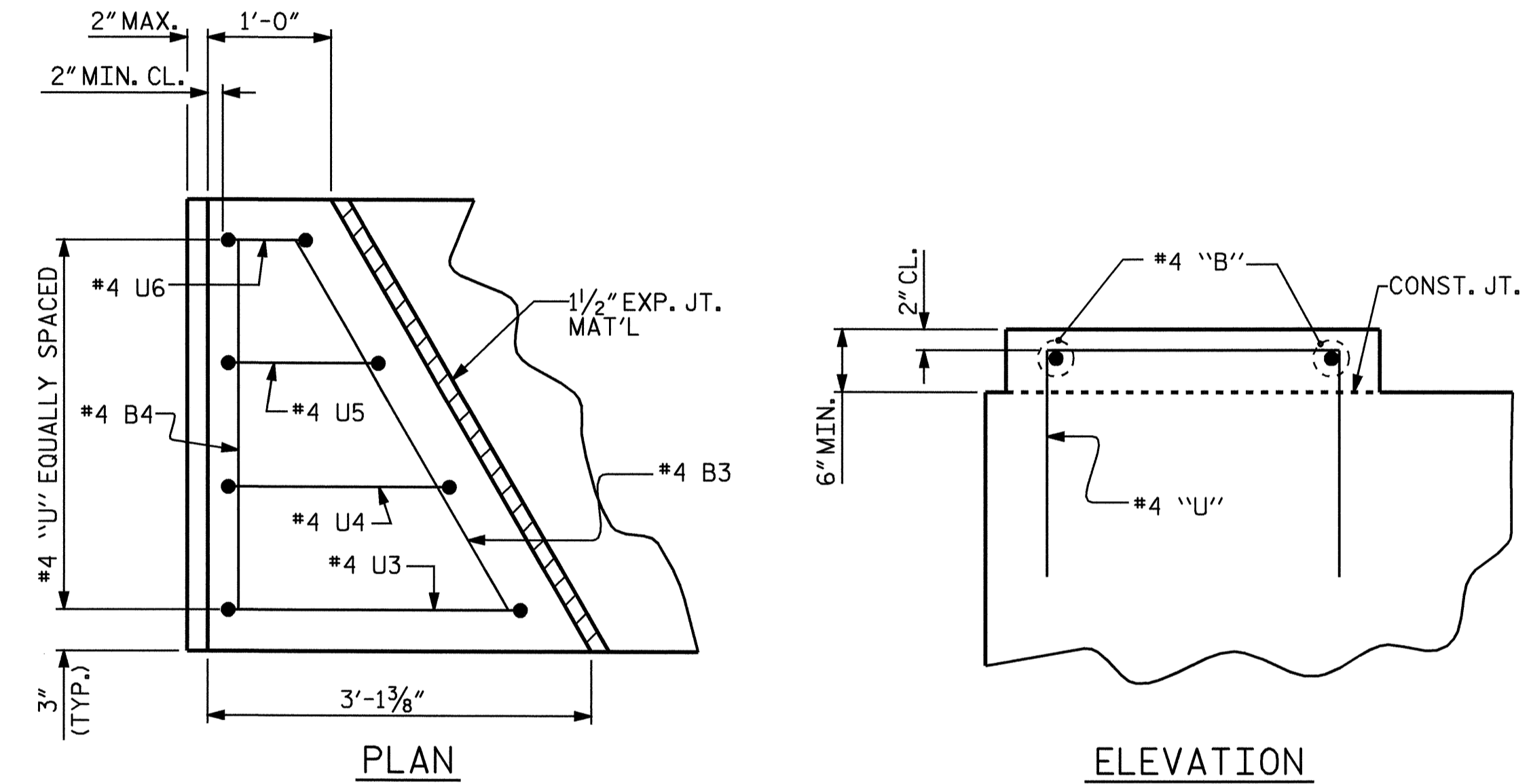
\* THE SP-1 SPIRAL COLUMN REINFORCING STEEL SHALL BE W31 OR D-31 COLD DRAWN WIRE OR #5 PLAIN OR DEFORMED BAR.  
 \*\* THE SP-2 & SP-3 SPIRAL COLUMN REINFORCING STEEL SHALL BE W20 OR D-20 COLD DRAWN WIRE OR #4 PLAIN OR DEFORMED WIRE.

THE CONTRACTOR'S ATTENTION IS CALLED TO THE FACT THAT THE LONGITUDINAL REINFORCEMENT FOR THE DRILLED PIERS IS DETAILED WITH THREE FEET OF EXTRA LENGTH.  
 CLASS A CONCRETE BREAKDOWN :  
 POUR #2 (COLUMNS) 2.9 C.Y.  
 POUR #3 (CAP) 14.8 C.Y.  
 POUR #4 (LATERAL GUIDES) 0.3 C.Y.  
 TOTAL 18.0 C.Y.

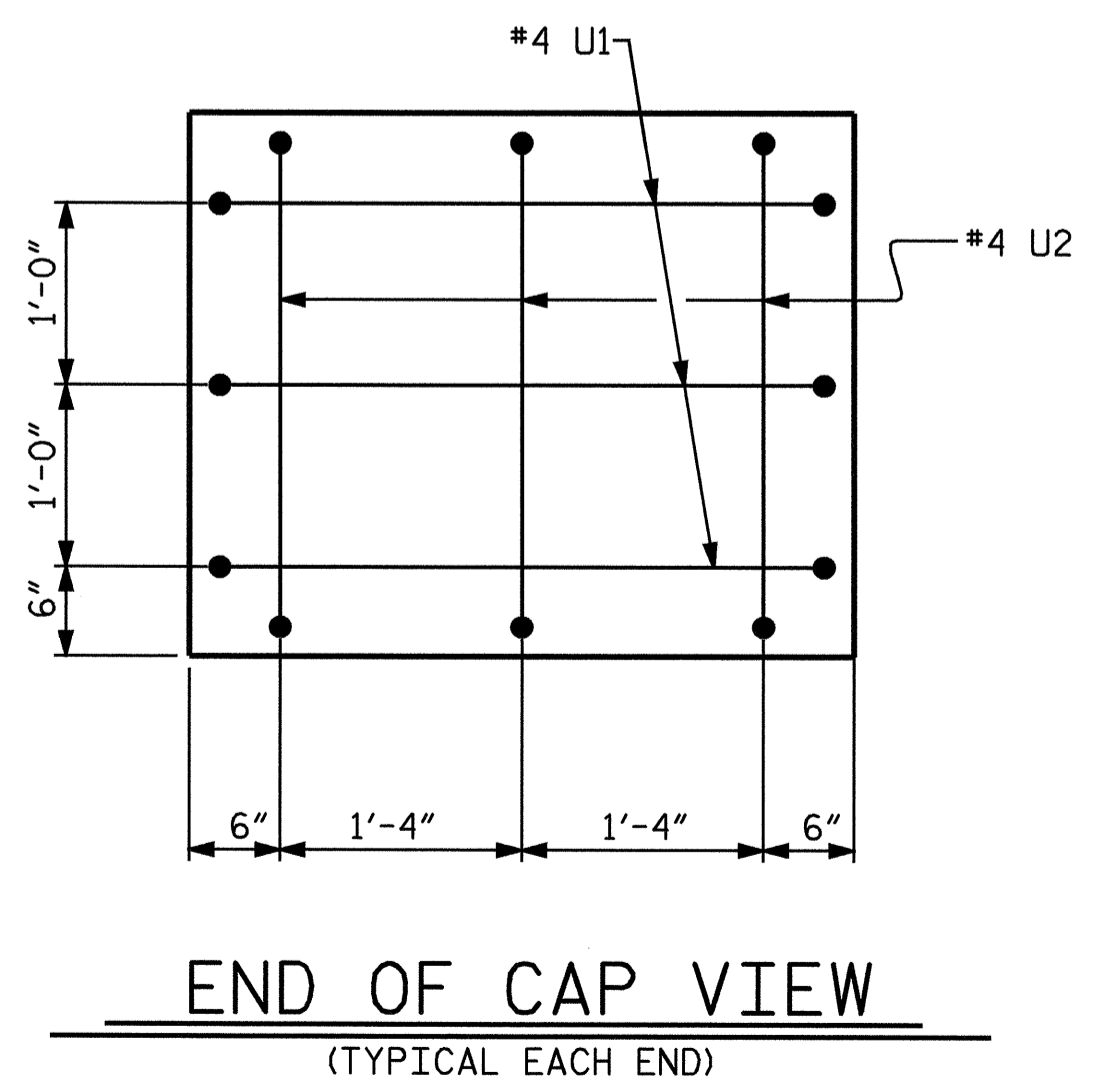
**3'-6" Ø DRILLED PIERS**  
 POUR #1 (DRILLED PIER CONCRETE) 9.3 C.Y.  
 3'-6" Ø DRILLED PIERS NOT IN SOIL 16.0 LIN. FT.  
 3'-6" Ø DRILLED PIERS IN SOIL 10.0 LIN. FT.  
 CROSSHOLE SONIC LOGGING 1 EACH  
 CSL TUBES 124.0 LIN. FT.



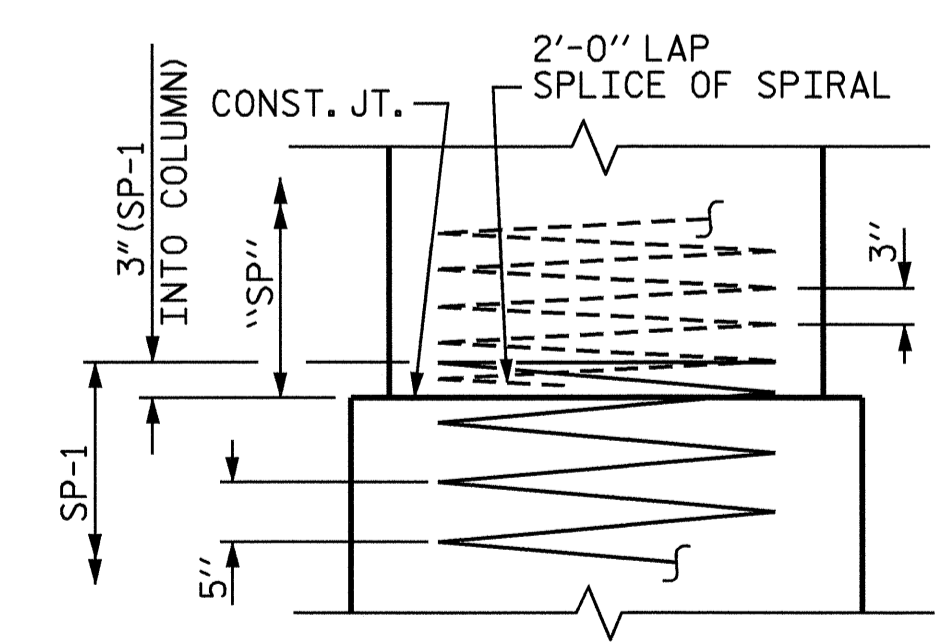
**END ELEVATION**  
 REINFORCING STEEL, DIMENSIONS & DETAILS ARE TYPICAL FOR EACH COLUMN & DRILLED PIER UNLESS OTHERWISE NOTED.



**LATERAL GUIDE DETAIL**  
 (LEFT LATERAL GUIDE SHOWN ; RIGHT LATERAL GUIDE SIMILAR)



**END OF CAP VIEW**  
 (TYPICAL EACH END)



**CONSTRUCTION JOINT DETAIL**

DRAWN BY : A.R.CHESSON DATE : 1-05  
 CHECKED BY : B.N. GRADY DATE : 2-05

08-MAR-2005 14:16  
 W:\squadw\B3709\archesson\Microstation\B3709.SD.B2.01.DGN  
 archesson

PROJECT NO. B-3709  
 WATAUGA COUNTY  
 STATION: 16+99.00 -L-  
 SHEET 2 OF 2

REVISIONS						SHEET NO.
NO.	BY:	DATE:	NO.	BY:	DATE:	S-15
1			3			TOTAL SHEETS
2			4			23



STATE OF NORTH CAROLINA  
 DEPARTMENT OF TRANSPORTATION  
 RALEIGH  
 SUBSTRUCTURE  
 BENT No. 2