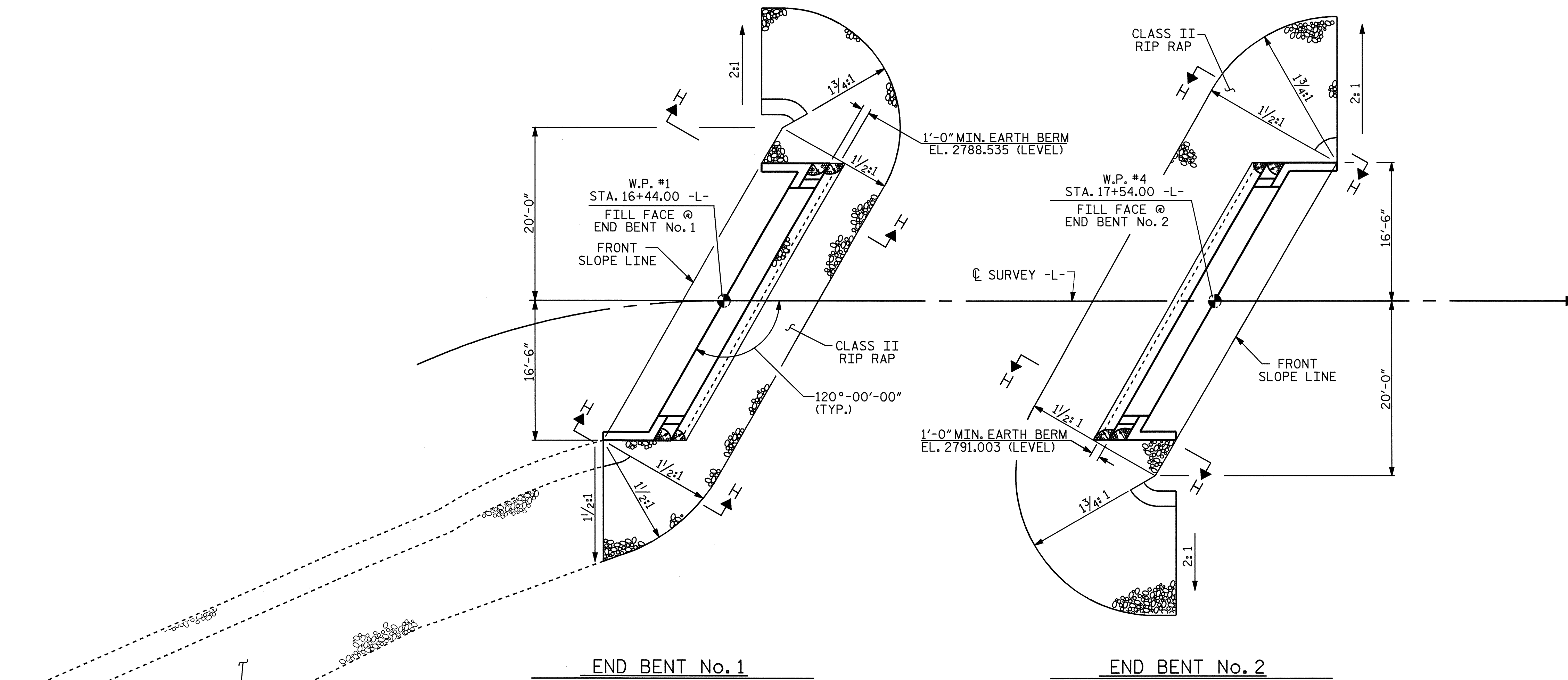


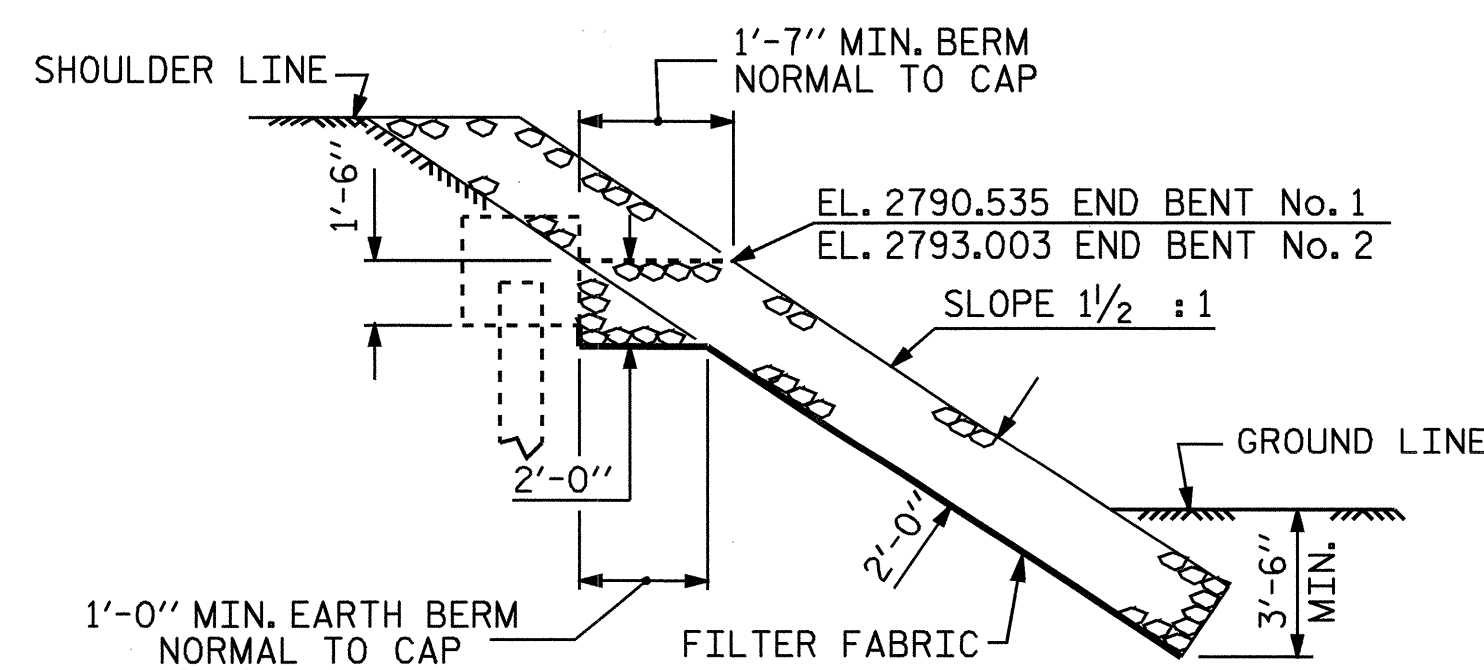
NOTES :

▲ FOR DETAILS AND QUANTITY OF CLASS II RIP RAP ALONG ROADWAY SHOULDER, SEE ROADWAY PLANS.

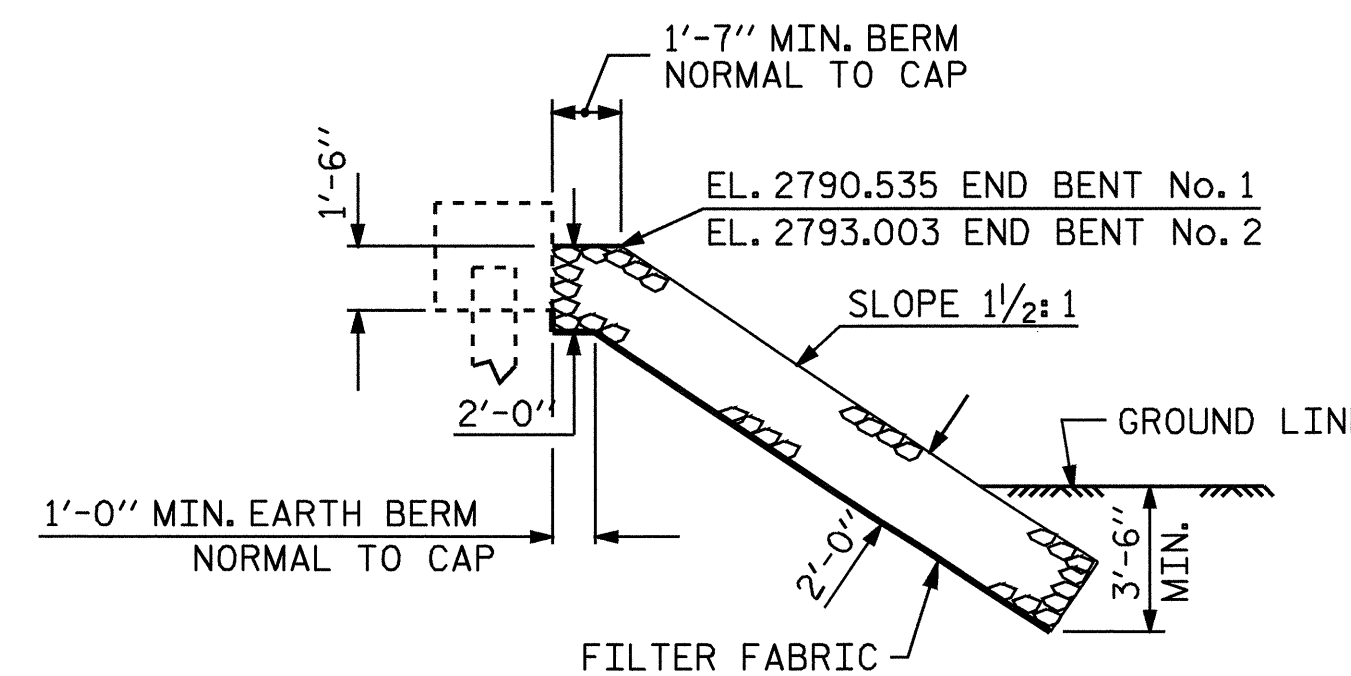


PLAN

ESTIMATED QUANTITIES		
BRIDGE @ STA. 16+99.00 -L-	PLAIN RIP RAP CLASS II	FILTER FABRIC FOR DRAINAGE
	TONS	SQUARE YARDS
END BENT 1	57	64
END BENT 2	92	103



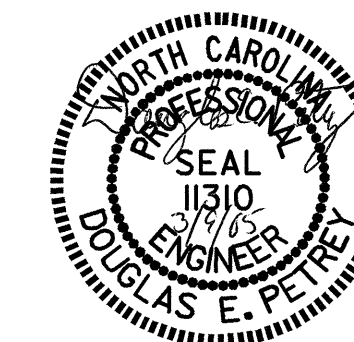
SECTION H-H



**SECTION
BERM RIP RAPPED**

PROJECT NO. B-3709
WATAUGA COUNTY
 STATION: 16+99.00 -L-

STATE OF NORTH CAROLINA
 DEPARTMENT OF TRANSPORTATION
 RALEIGH
 STANDARD
 — RIP RAP DETAILS —



ASSEMBLED BY : A. V. ROYAL	DATE : 11/04
CHECKED BY : B. N. GRADY	DATE : 12/04
DRAWN BY : REK 1/84	REV. 7/17/98 REK/RWW
CHECKED BY : RDU 1/84	REV. 8/16/99 RWW/LES
	REV. 10/17/00 RWW/LES

REVISIONS						SHEET NO.
NO.	BY:	DATE:	NO.	BY:	DATE:	S-19
1			3			TOTAL SHEETS
2			4			23