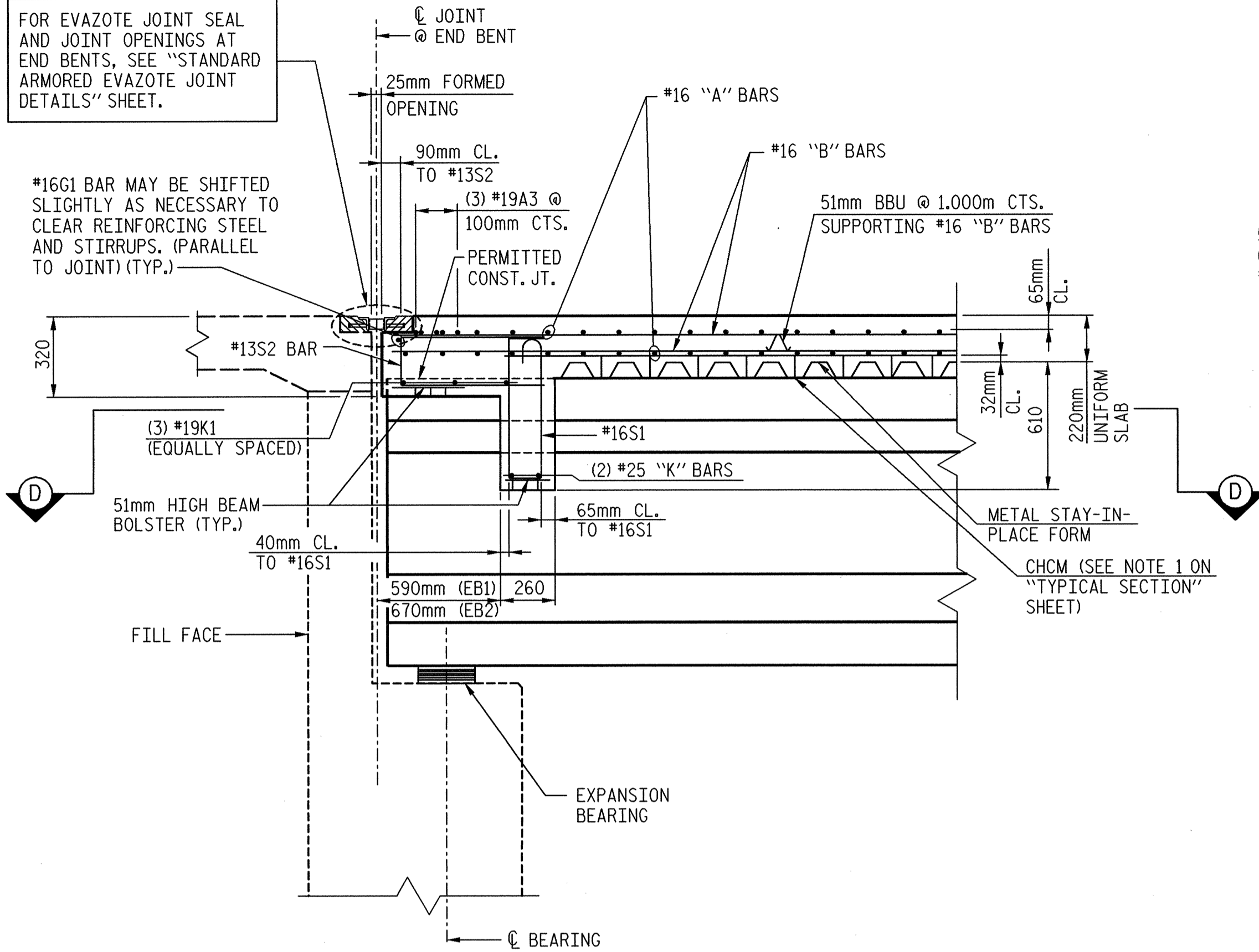
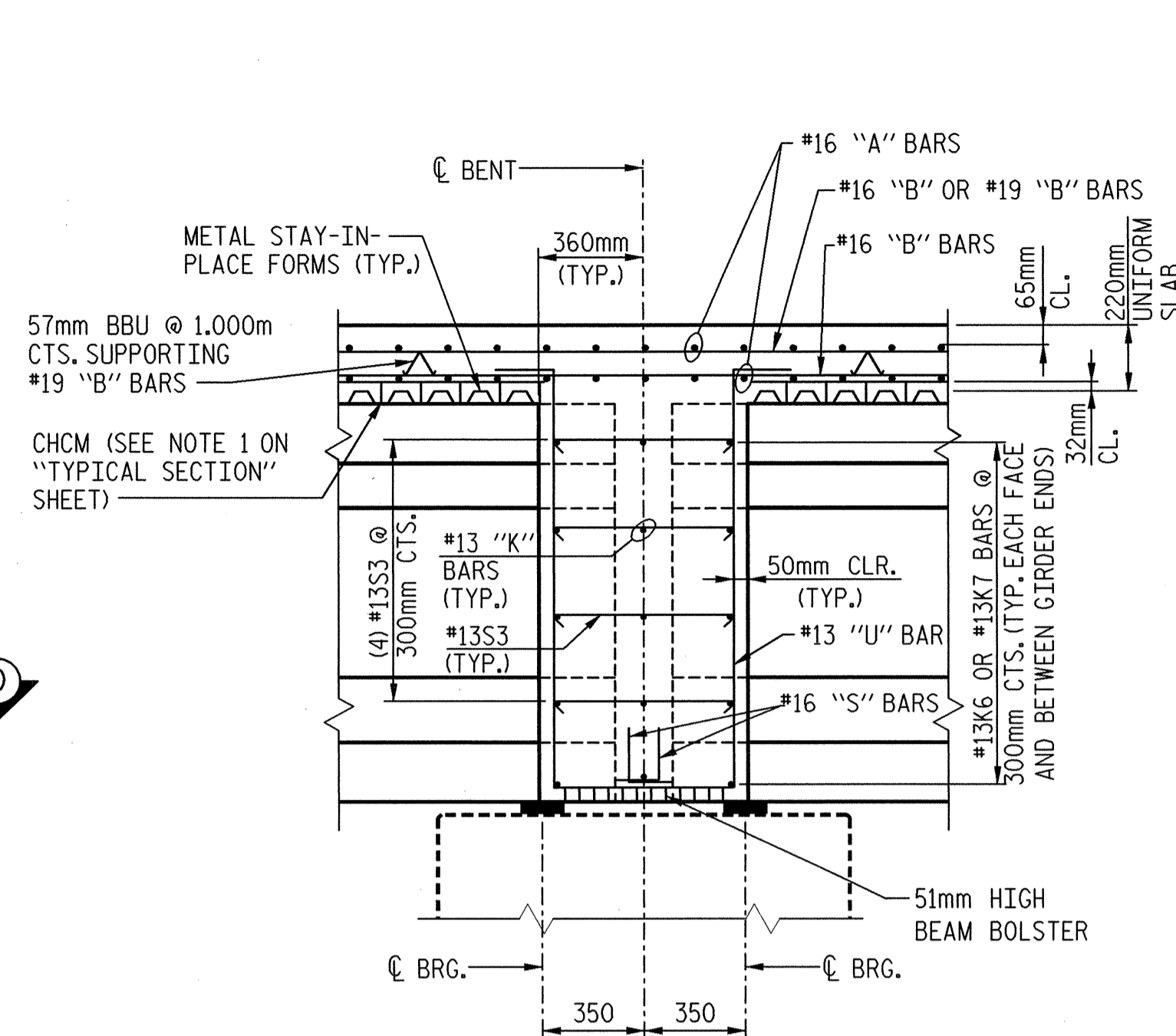


FOR EVAZOTE JOINT SEAL AND JOINT OPENINGS AT END BENTS, SEE "STANDARD ARMORED EVAZOTE JOINT DETAILS" SHEET.



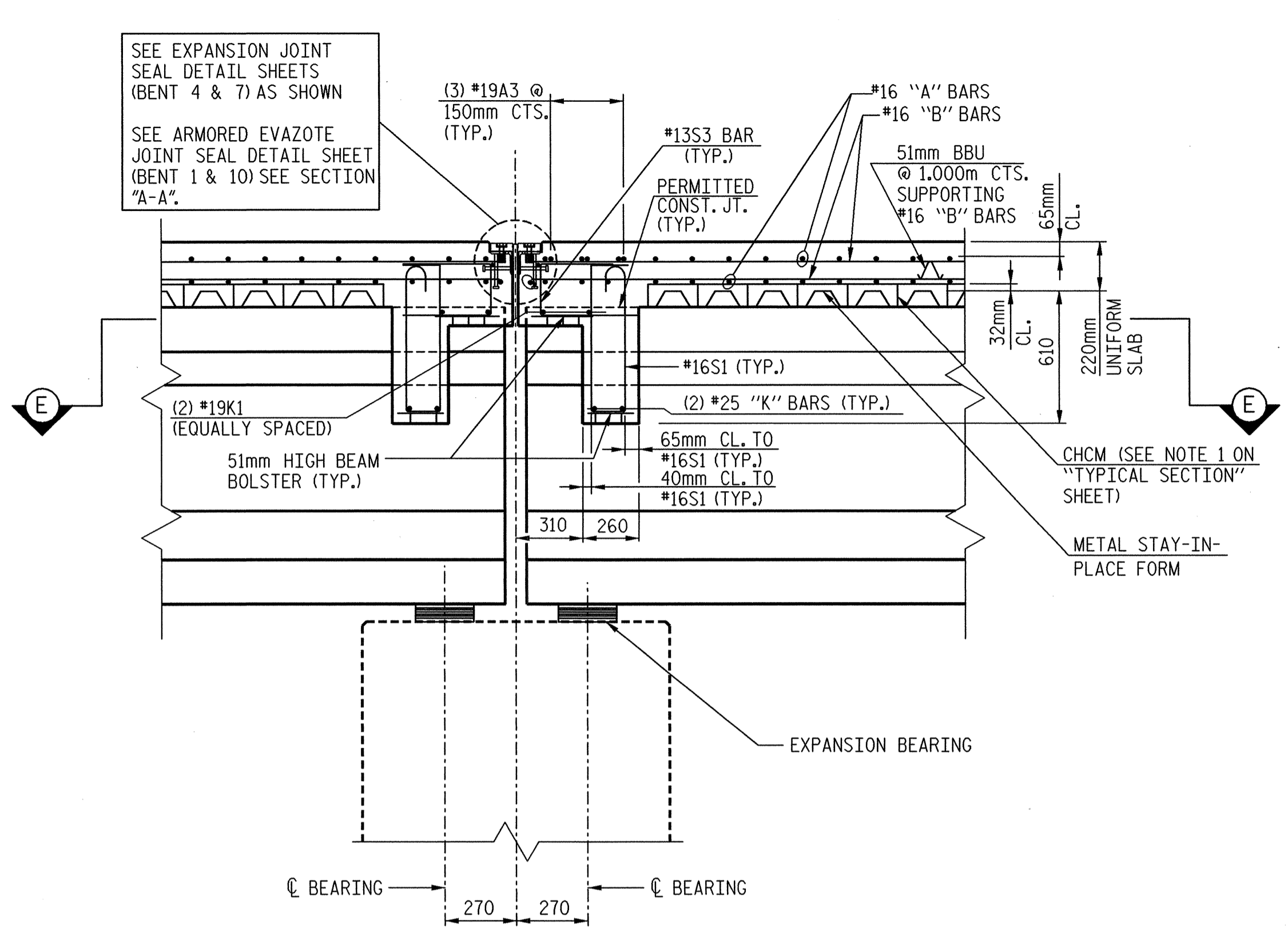
SECTION "A-A"

DIMENSIONS SHOWN ARE NORMAL TO END BENT.



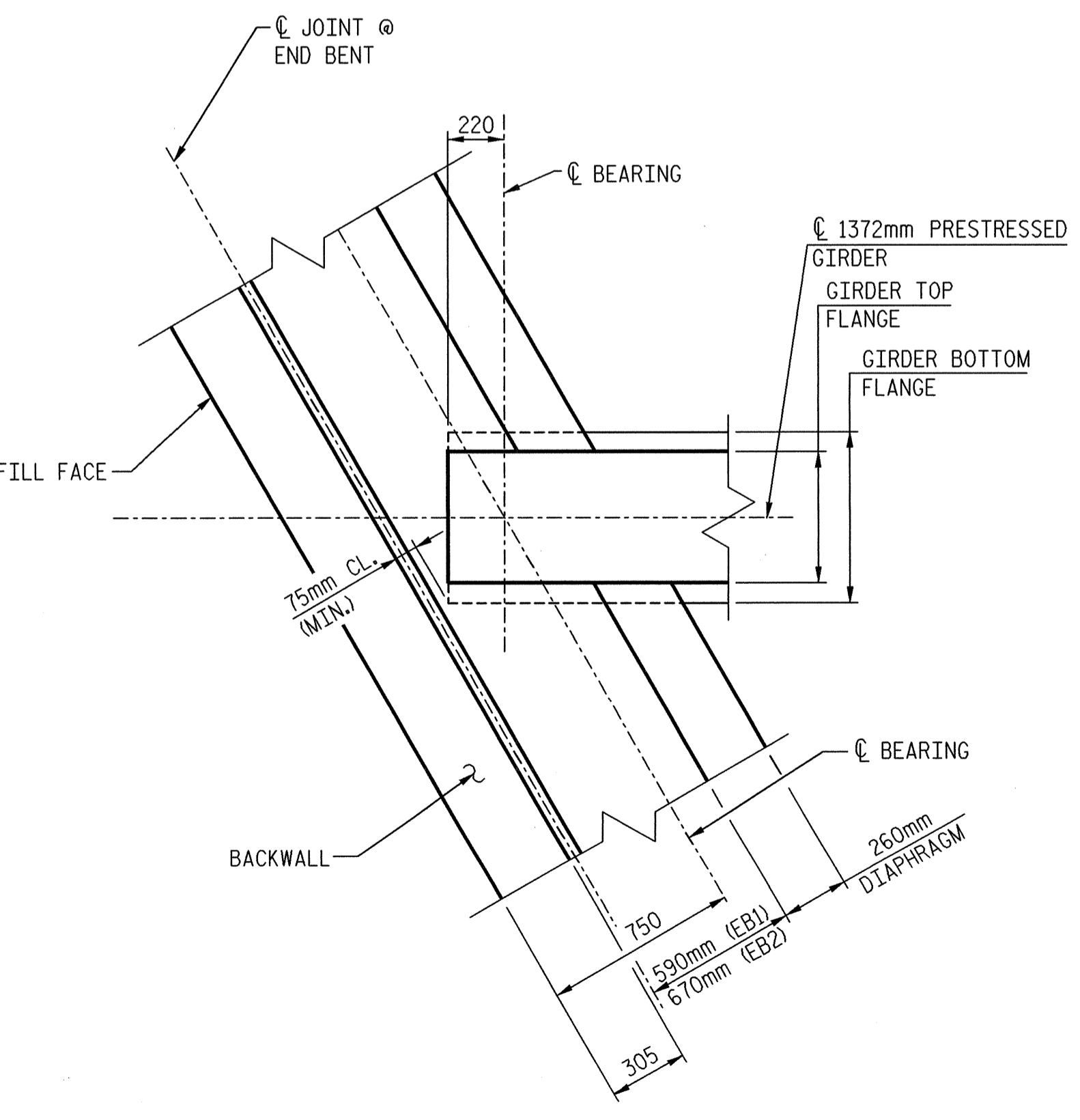
SECTION "B-B"

(AT INTERIOR BENT #2, #3, #5, #6, #8 AND #9 DIAPHRAGMS)

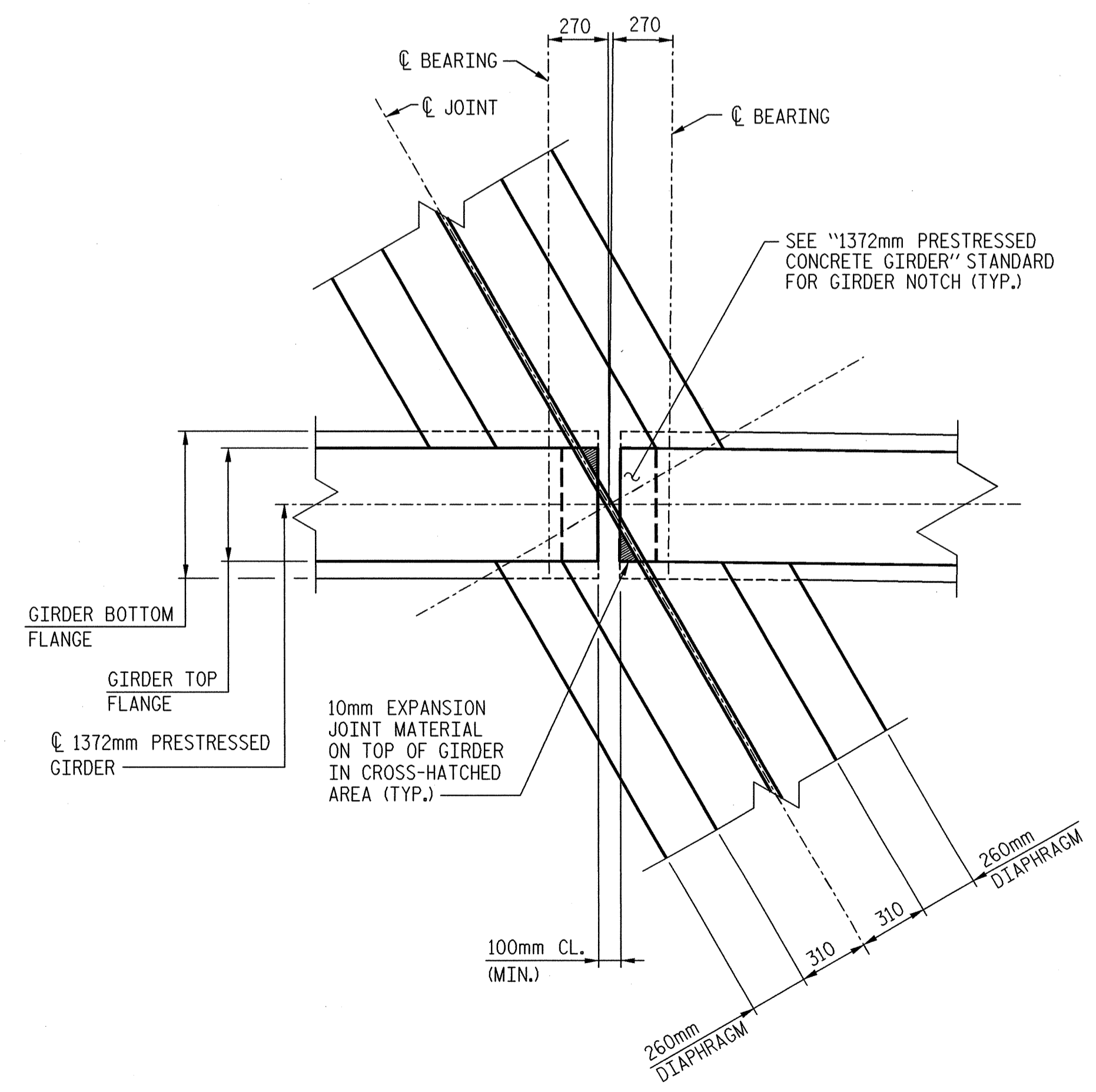


SECTION "C-C"

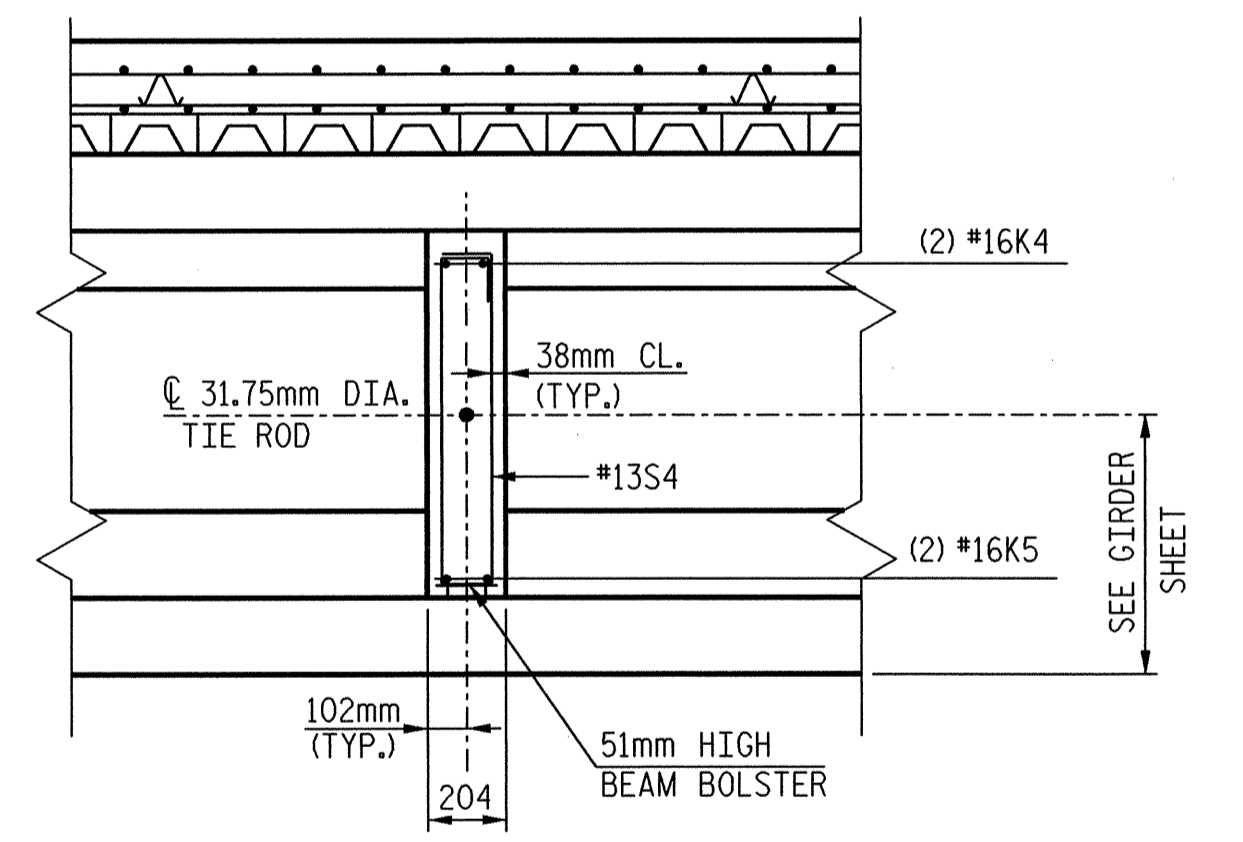
(AT INTERIOR BENT #1, #4, #7, AND #10 DIAPHRAGMS)  
DIMENSIONS SHOWN ARE NORMAL TO BENT.



SECTION "D-D"



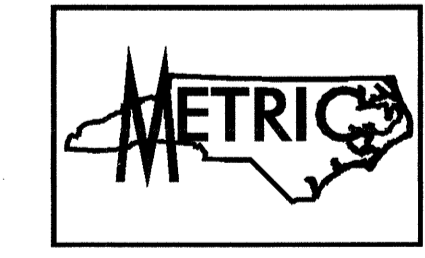
SECTION "E-E"



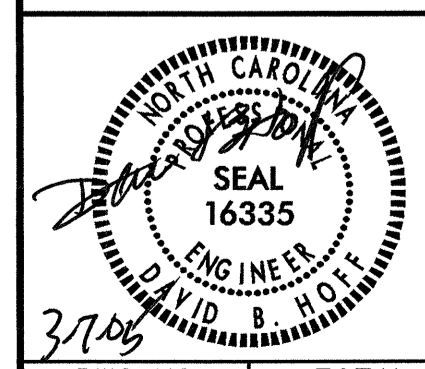
SECTION "F-F"

(AT INTERMEDIATE DIAPHRAGMS)

PROJECT NO. R-2552AB  
JOHNSTON COUNTY  
STATION: 40+80.000 -L- P.O.C.  
SHEET 1 OF 2



TRANSYSTEMS CORPORATION  
75 Beattie Place, Suite 400  
Greenville, SC 29601 (864) 234-0866



STATE OF NORTH CAROLINA  
DEPARTMENT OF TRANSPORTATION  
RALEIGH  
SUPERSTRUCTURE  
TYPICAL DETAILS  
(LEFT LANE)

REVISIONS						SHEET NO.	
NO.	BY:	DATE:	NO.	BY:	DATE:	5-265	
1			3			TOTAL SHEETS	
2			4			429	

DRAWN BY: M.L. MARLEY DATE: 8/01  
CHECKED BY: J.B. GEILE DATE: 11/01

g:\G04\0125\B-r\dge\Site\Left (MBL)\Final\Tgr-sect2(wb).dgn  
 3/5/2005 11:36:39 AM