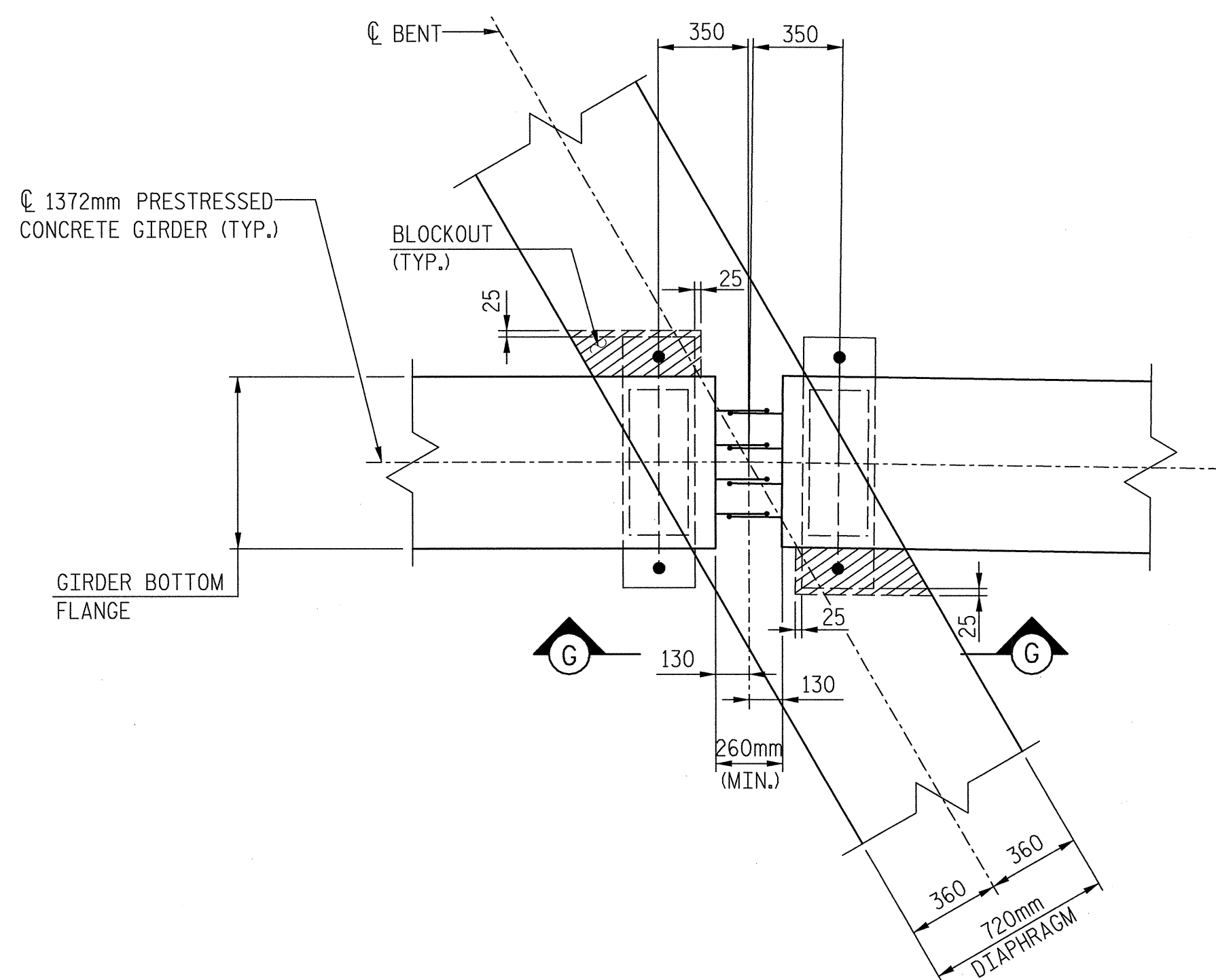
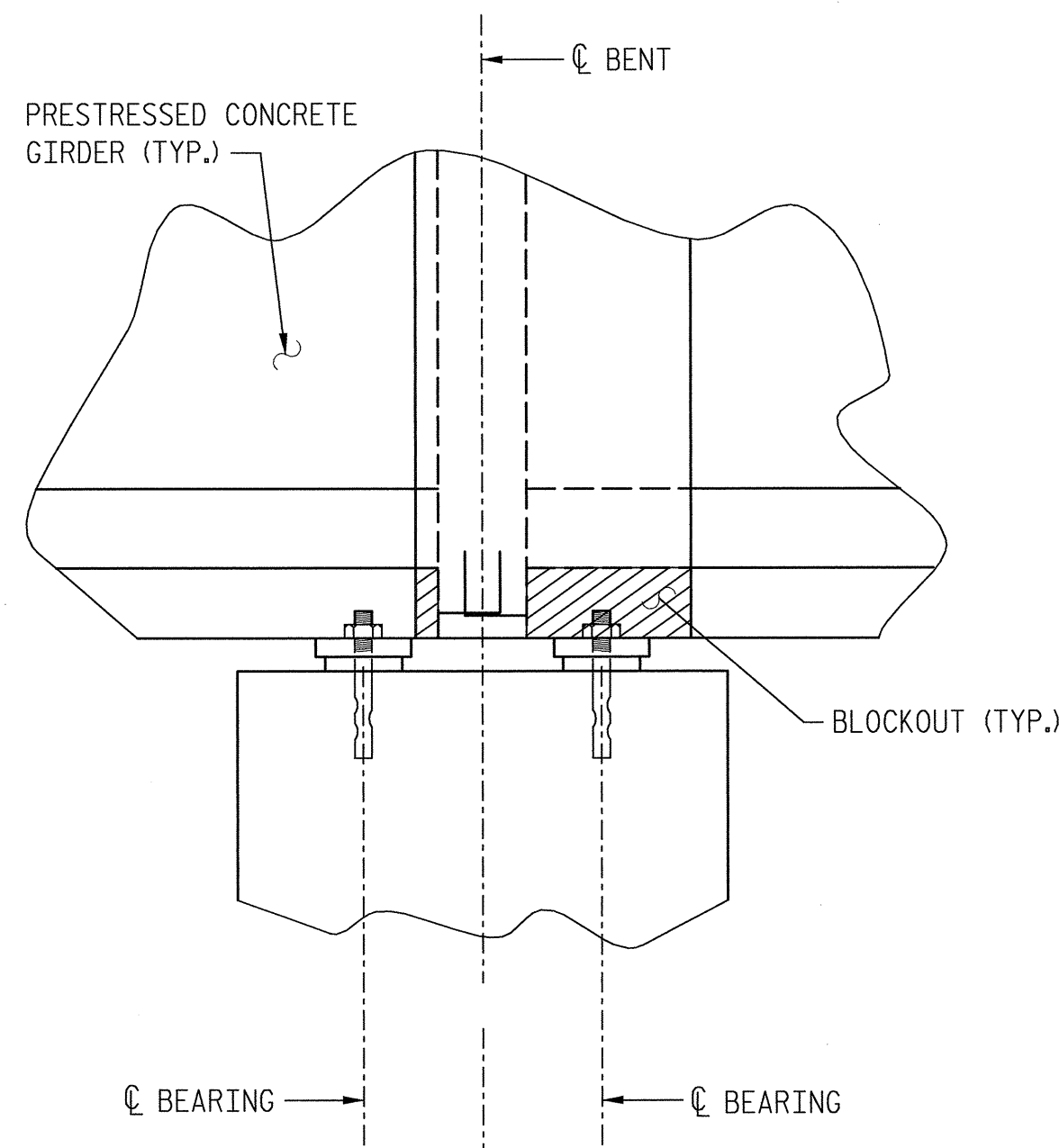


NOTES:

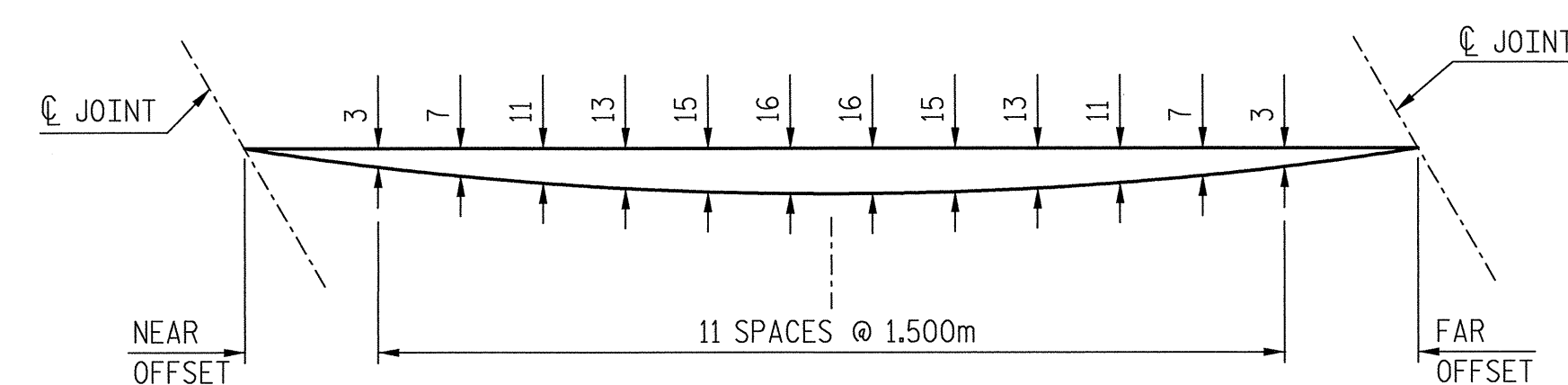
1. SEE "PLAN OF SPANS" SHEETS FOR NOTES.



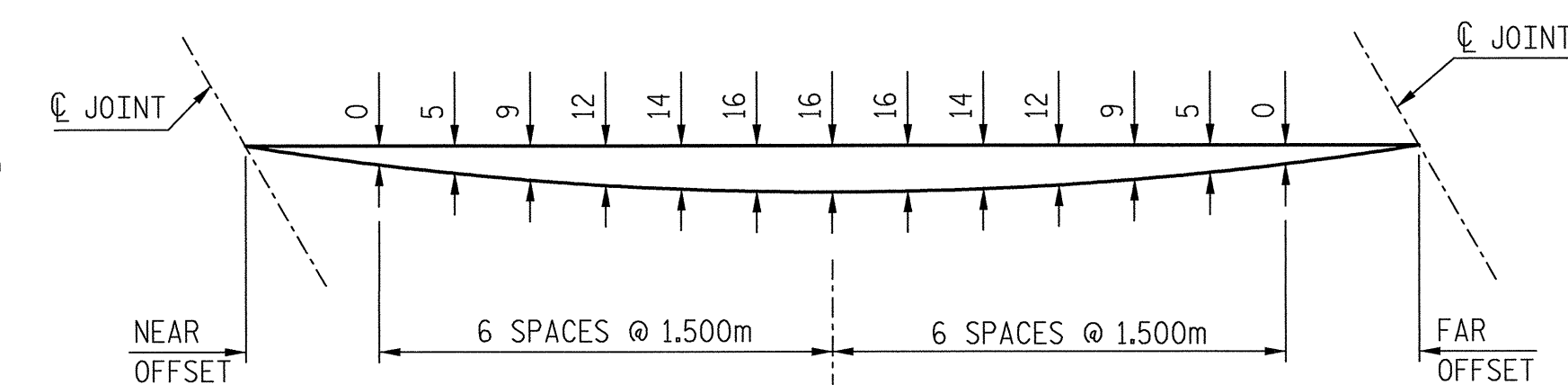
PLAN VIEW
(AT INTERIOR BENTS 2, 3, 5, 6, 8, 9)



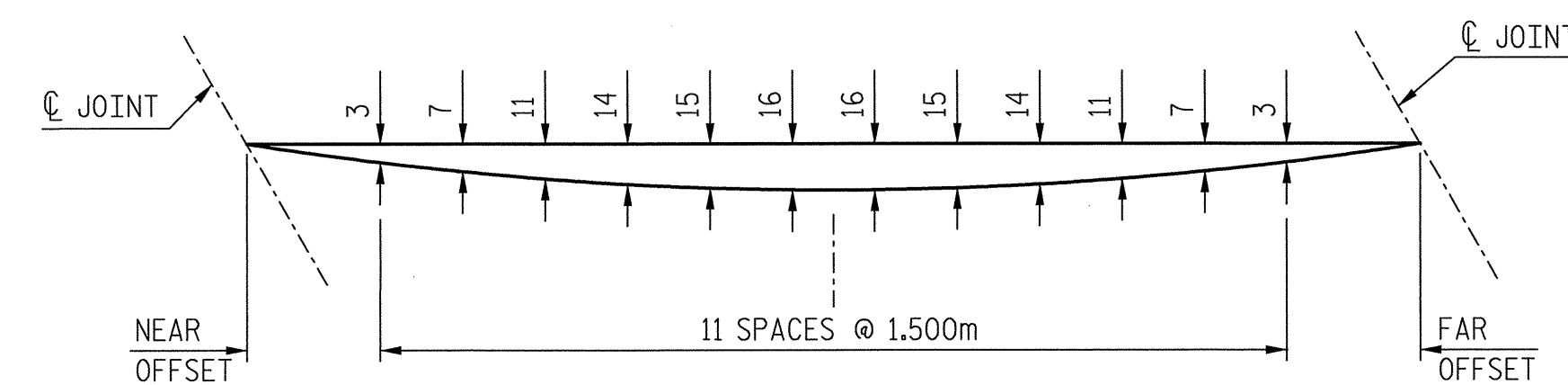
SECTION "G-G"



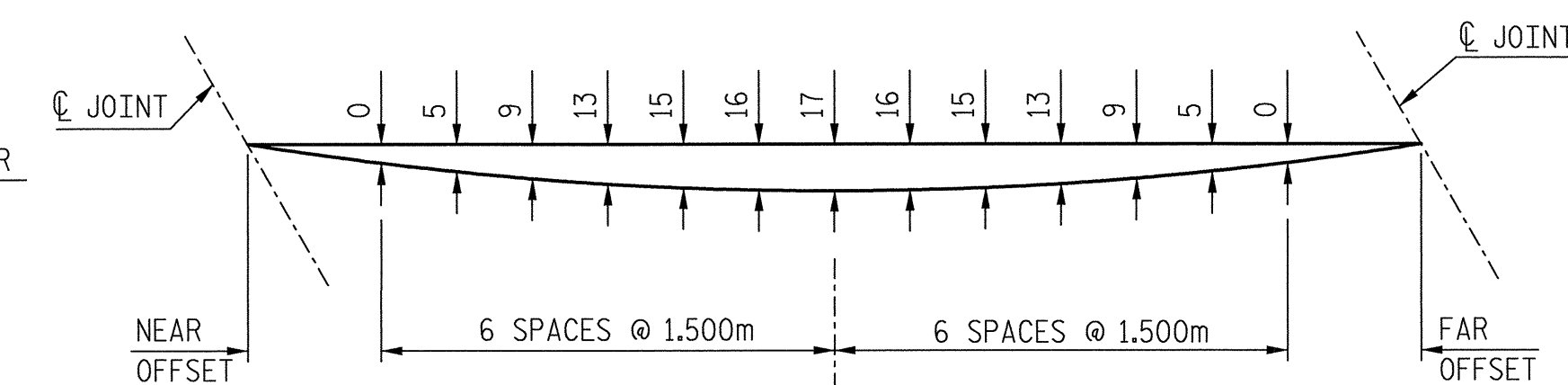
LEFT SIDE- SPAN J
ALONG OUTSIDE EDGE OF SUPERSTRUCTURE



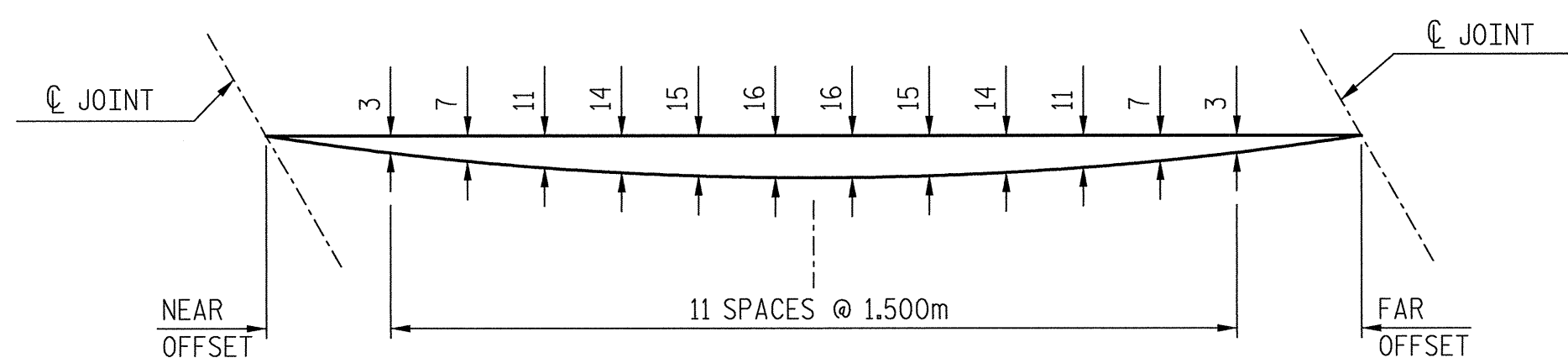
RIGHT SIDE- SPAN J
ALONG OUTSIDE EDGE OF SUPERSTRUCTURE



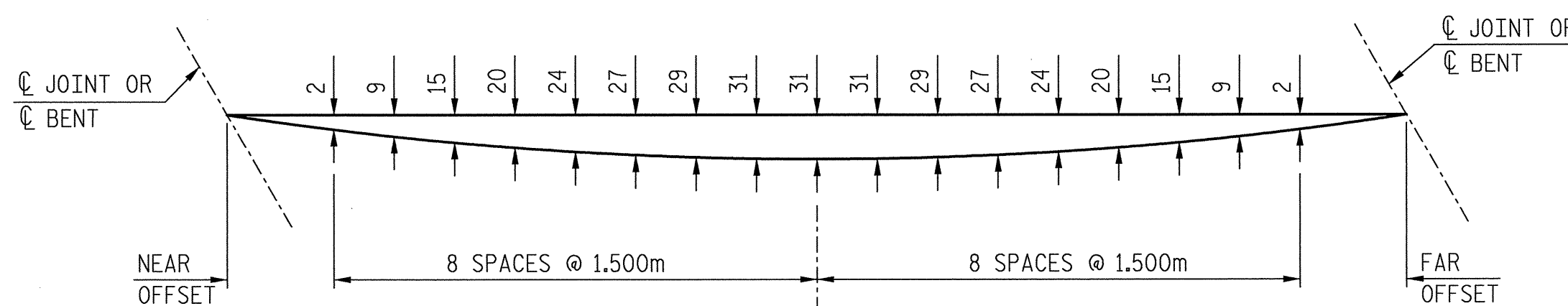
LEFT SIDE- SPAN K
ALONG OUTSIDE EDGE OF SUPERSTRUCTURE



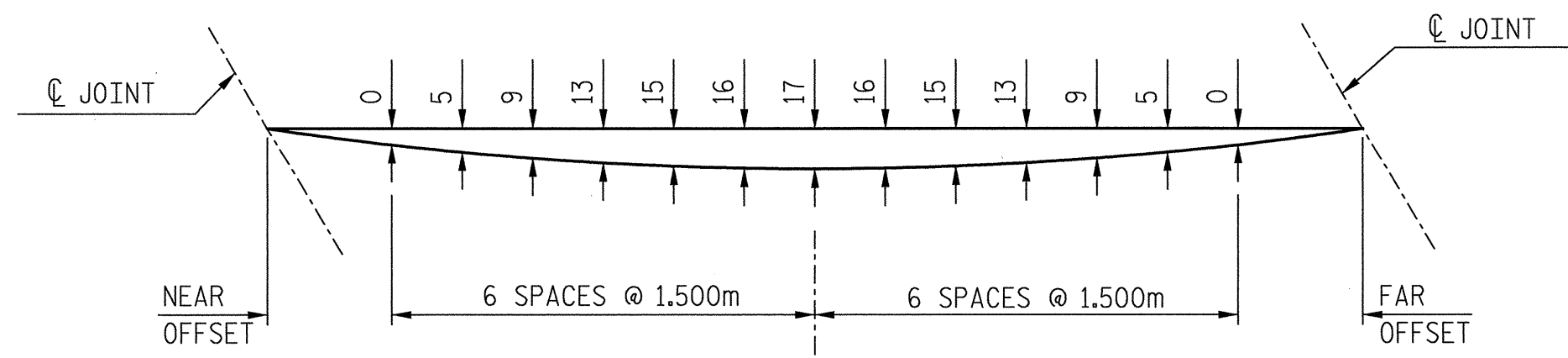
RIGHT SIDE- SPAN K
ALONG OUTSIDE EDGE OF SUPERSTRUCTURE



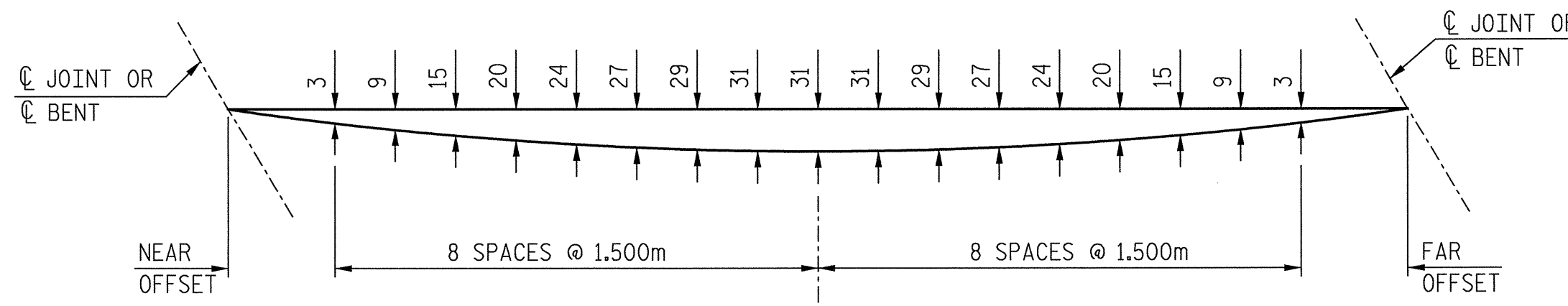
LEFT SIDE- SPAN A
ALONG OUTSIDE EDGE OF SUPERSTRUCTURE



LEFT SIDE- SPANS B THRU I
ALONG OUTSIDE EDGE OF SUPERSTRUCTURE



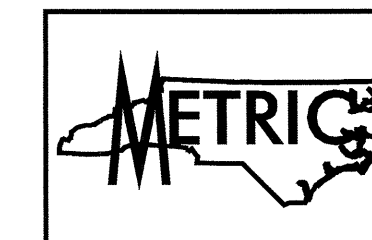
RIGHT SIDE- SPAN A
ALONG OUTSIDE EDGE OF SUPERSTRUCTURE



RIGHT SIDE- SPANS B THRU I
ALONG OUTSIDE EDGE OF SUPERSTRUCTURE

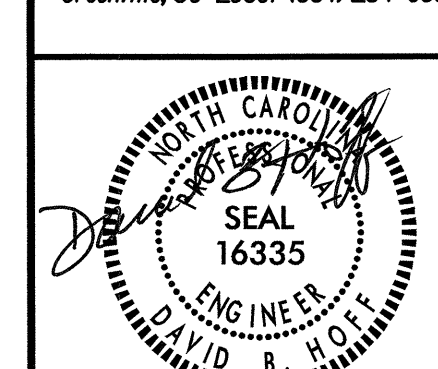
ARC OFFSETS

PROJECT NO. R-2552AB
JOHNSTON COUNTY
 STATION: 40+80.000 -L- P.O.C.



SHEET 2 OF 2

TRANSYSTEMS CORPORATION
 75 Beattie Place, Suite 400
 Greenville, SC 29601 (864) 234-0866



STATE OF NORTH CAROLINA
DEPARTMENT OF TRANSPORTATION
 RALEIGH

**SUPERSTRUCTURE
 TYPICAL DETAILS
 (LEFT LANE)**

REVISIONS

NO.	BY:	DATE:	NO.	BY:	DATE:
1			3		
2			4		

SHEET NO.
S-206
 TOTAL SHEETS
 429

DRAWN BY : M. L. MARLEY DATE : 8/01
 CHECKED BY : J. B. GEILE DATE : 10/01

g:\g04\0125\bridge\sitel\left\wbj\frml\typ-sect3(wb).dgn
 3/17/2005
 11:48:10 AM