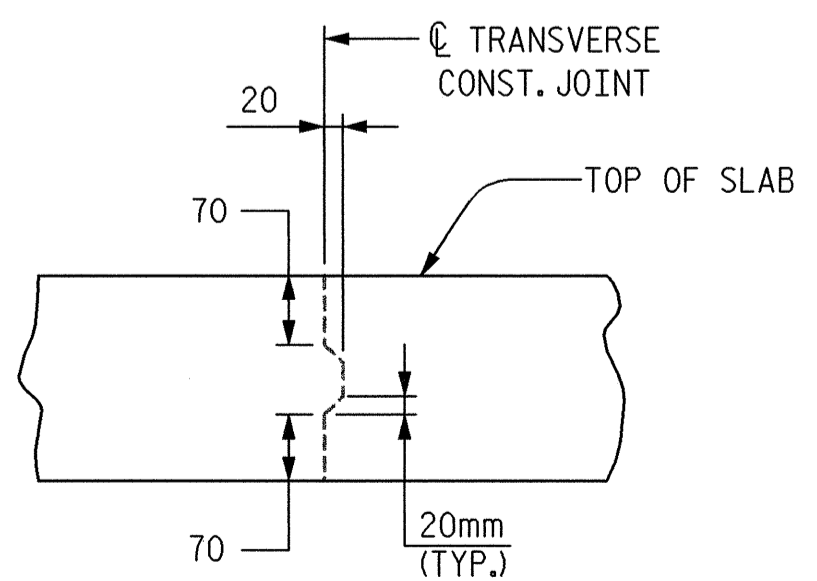
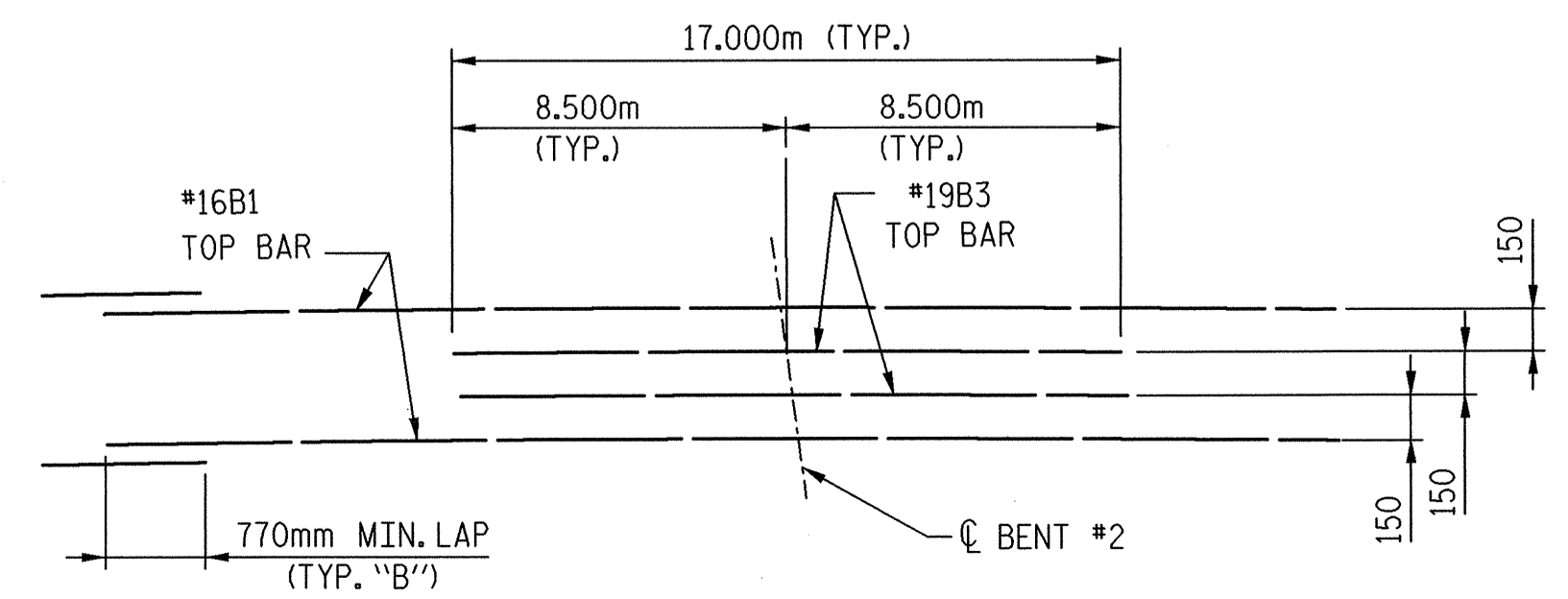


PLAN OF SPAN "B" AND PARTIAL PLAN OF SPAN "C"  
 \* DENOTES RADIAL DIMENSIONS

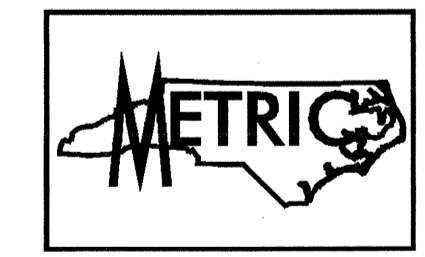


TRANSVERSE CONSTRUCTION JOINT DETAIL

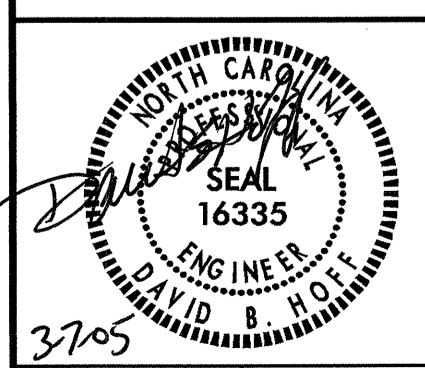
NOTES: REINFORCING STEEL IN SLAB NOT SHOWN.  
 SLAB REINFORCING STEEL SHALL BE CONTINUOUS THRU JOINT.



LAYOUT FOR "B" BARS BENT #2  
 (TOP OF SLAB)



TRANS SYSTEMS CORPORATION  
 75 Beattie Place, Suite 400  
 Greenville, SC 29601 (864) 234-0866



PROJECT NO. R-2552AB  
 JOHNSTON COUNTY  
 STATION: 40+80.000 -L- P.O.C.  
 SHEET 2 OF 8

STATE OF NORTH CAROLINA  
 DEPARTMENT OF TRANSPORTATION  
 RALEIGH  
 SUPERSTRUCTURE  
 PLAN OF SPAN "B" & PARTIAL  
 PLAN OF SPAN "C"  
 (LEFT LANE)

REVISIONS						SHEET NO.
NO.	BY:	DATE:	NO.	BY:	DATE:	5-268
1			3			TOTAL SHEETS
2			4			429

DRAWN BY: M.L. MARLEY DATE: 09/01  
 CHECKED BY: J.B. GEILE DATE: 11/01

\$FILES  
 \$DATES  
 \$TTVES