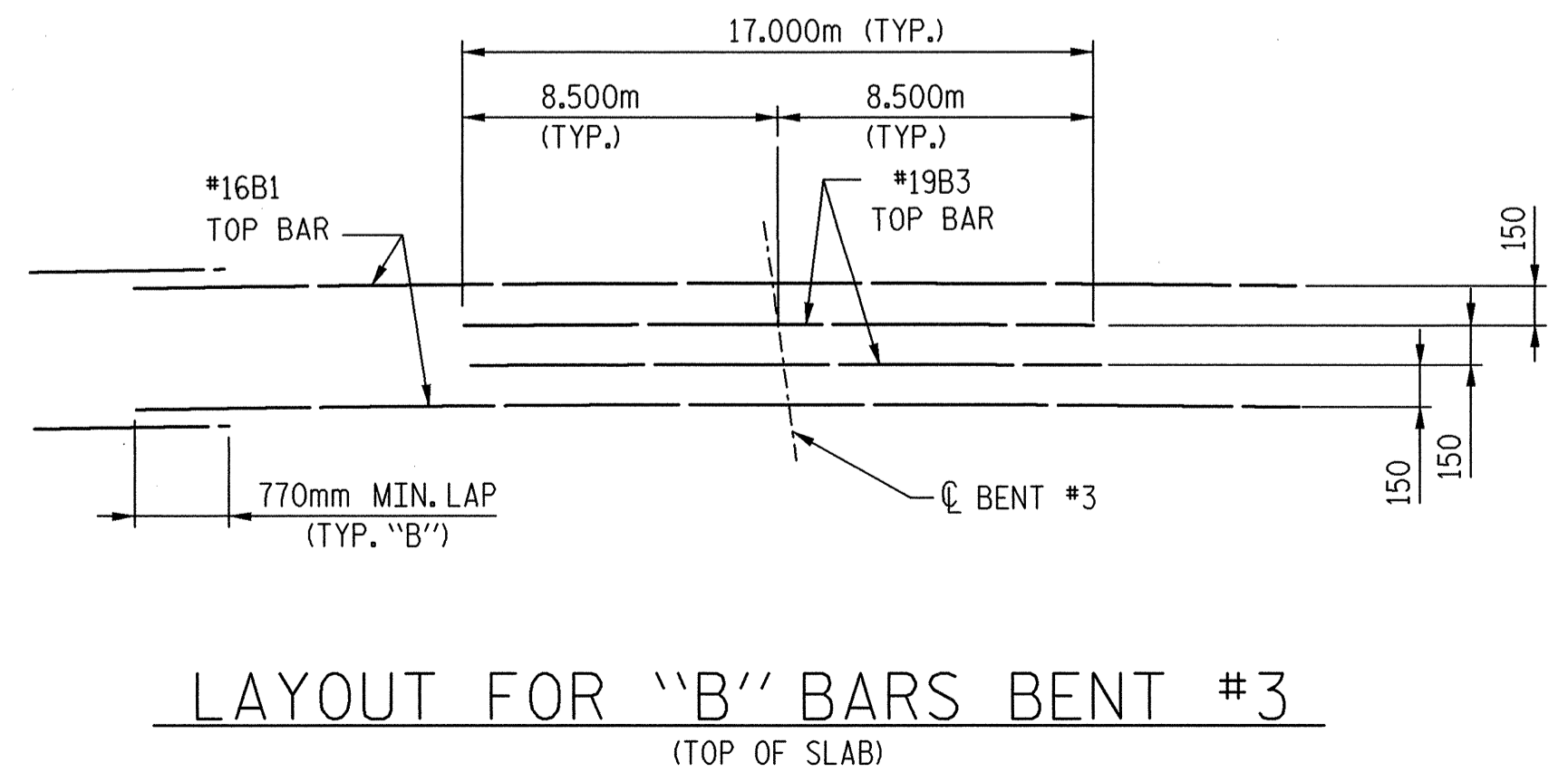
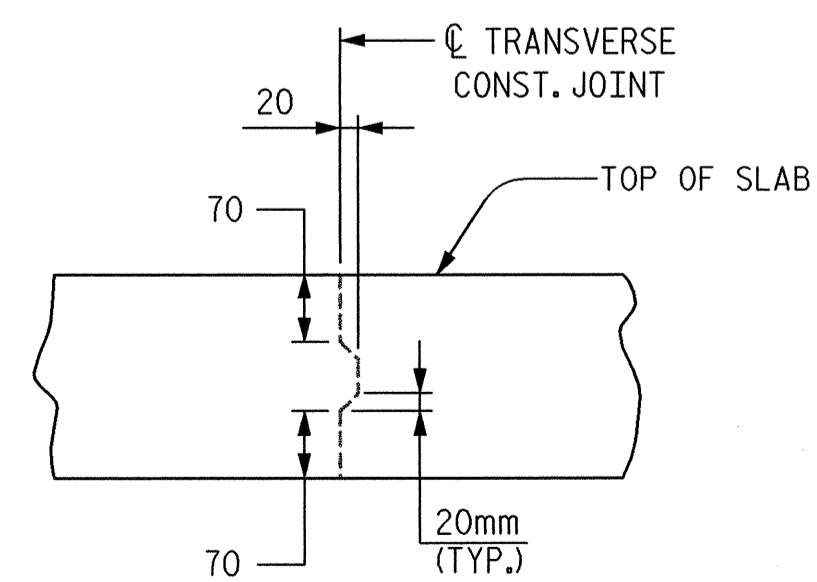


PARTIAL PLAN OF SPAN "C" AND PLAN OF SPAN "D"
 * DENOTES RADIAL DIMENSIONS

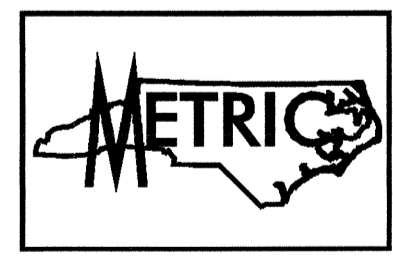


LAYOUT FOR "B" BARS BENT #3
 (TOP OF SLAB)

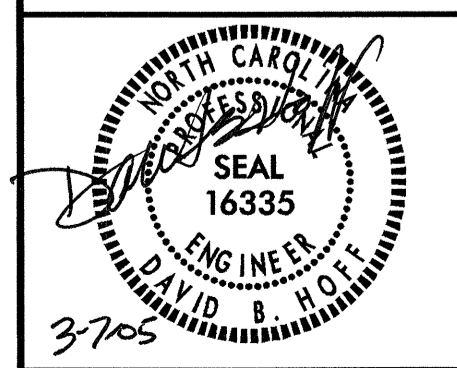


TRANSVERSE CONSTRUCTION JOINT DETAIL

NOTES: REINFORCING STEEL IN SLAB NOT SHOWN.
 SLAB REINFORCING STEEL SHALL BE CONTINUOUS THRU JOINT.



TRANSYSTEMS CORPORATION
 75 Beattie Place, Suite 400
 Greenville, SC 29601 (864) 234-0866



PROJECT NO. R-2552AB
 JOHNSTON COUNTY
 STATION: 40+80.000 -L- P.O.C.
 SHEET 3 OF 8

STATE OF NORTH CAROLINA
 DEPARTMENT OF TRANSPORTATION
 RALEIGH
 SUPERSTRUCTURE
 PARTIAL PLAN OF SPAN
 "C" AND PLAN OF SPAN "D"
 (LEFT LANE)

REVISIONS						SHEET NO.	
NO.	BY:	DATE:	NO.	BY:	DATE:	TOTAL SHEETS	
1			3			5-269	
2			4			429	

DRAWN BY: M. L. MARLEY DATE: 09/01
 CHECKED BY: J. B. GEILE DATE: 11/01

DWG. NO. 12 TOTAL 68

FILES \$
 DATES \$
 TIMES \$