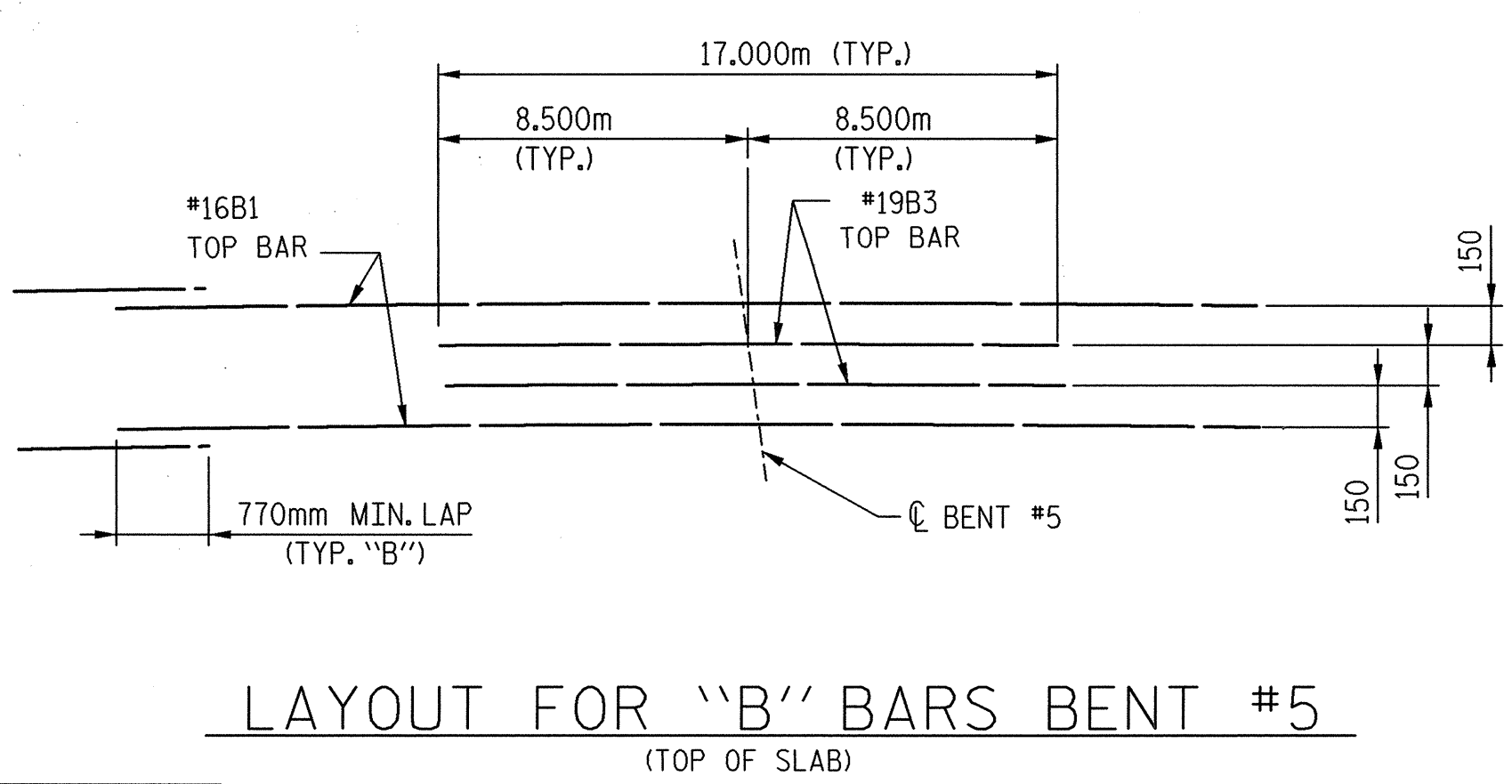
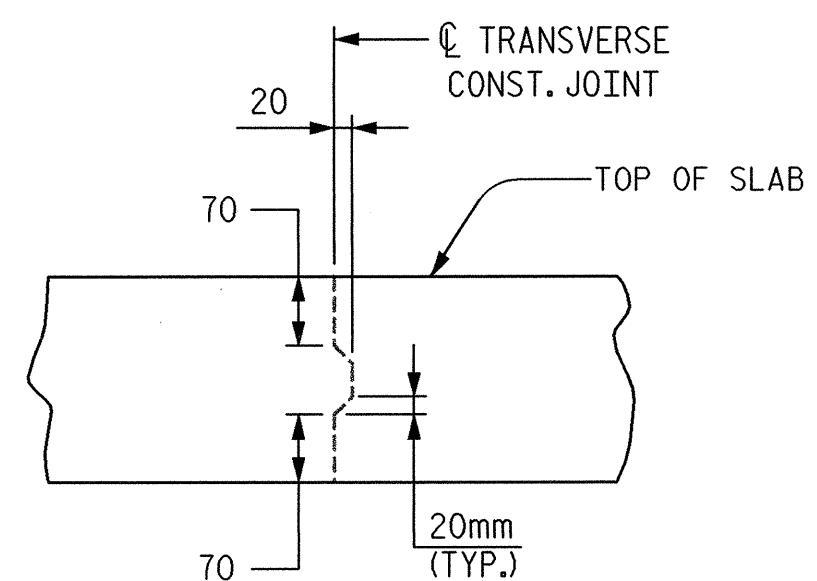


PLAN OF SPAN "E" AND PARTIAL PLAN OF SPAN "F"
 * DENOTES RADIAL DIMENSIONS



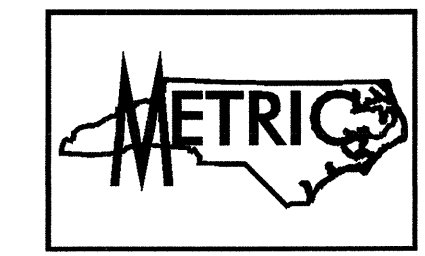
LAYOUT FOR "B" BARS BENT #5
 (TOP OF SLAB)



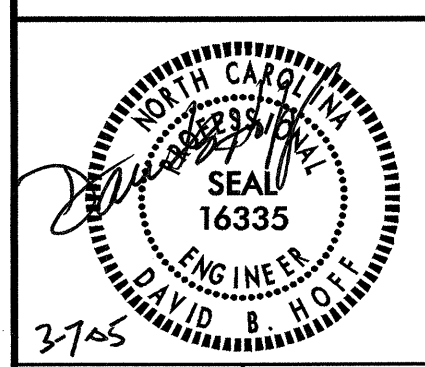
TRANSVERSE CONSTRUCTION JOINT DETAIL

NOTES: REINFORCING STEEL IN SLAB NOT SHOWN.
 SLAB REINFORCING STEEL SHALL BE CONTINUOUS THRU JOINT.

PROJECT NO. R-2552AB
 JOHNSTON COUNTY
 STATION: 40+80.000 -L- P.O.C.
 SHEET 4 OF 8



TRANS SYSTEMS CORPORATION
 75 Beattie Place, Suite 400
 Greenville, SC 29601 (864) 234-0866



STATE OF NORTH CAROLINA
 DEPARTMENT OF TRANSPORTATION
 RALEIGH
 SUPERSTRUCTURE
 PLAN OF SPAN "E" AND
 PARTIAL PLAN OF SPAN "F"
 (LEFT LANE)

REVISIONS						SHEET NO.
NO.	BY:	DATE:	NO.	BY:	DATE:	5-270
1			3			TOTAL SHEETS
2			4			429

DRAWN BY: M.L. MARLEY DATE: 09/01
 CHECKED BY: J.B. GEILE DATE: 11/01

\$FILES\$
 \$DWTES\$
 \$TIMES\$