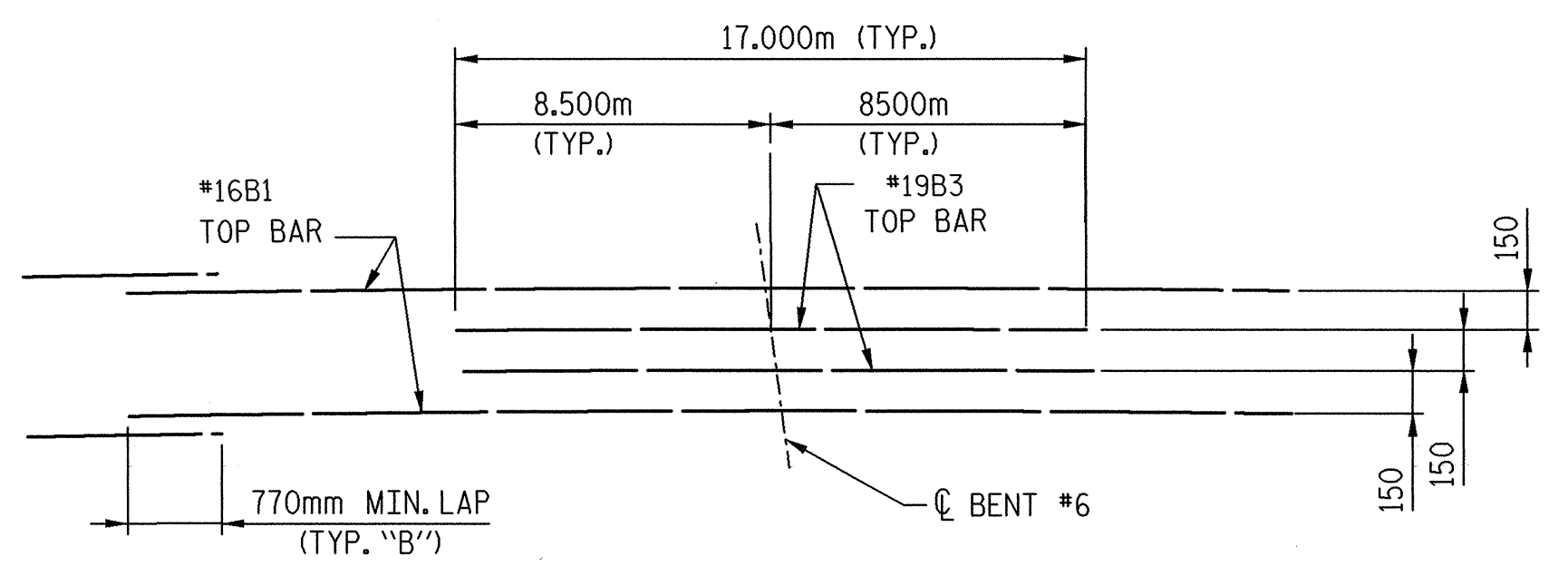
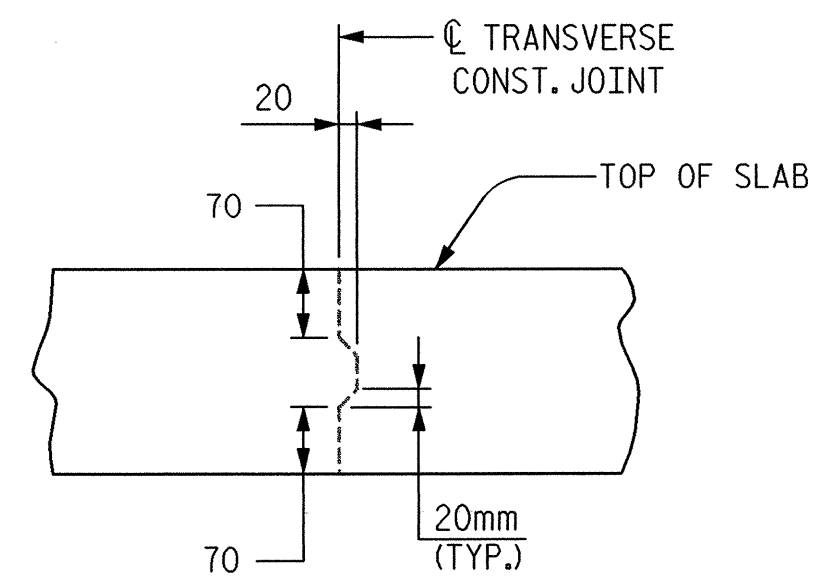


PARTIAL PLAN OF SPAN "F" AND PLAN OF SPAN "G"
 *DENOTES RADIAL DIMENSIONS



LAYOUT FOR "B" BARS BENT #6
 (TOP OF SLAB)



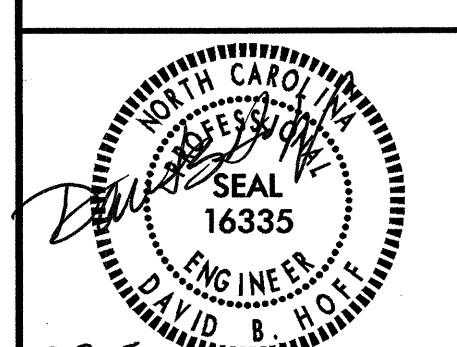
TRANSVERSE CONSTRUCTION JOINT DETAIL

NOTES: REINFORCING STEEL IN SLAB NOT SHOWN.
 SLAB REINFORCING STEEL SHALL BE CONTINUOUS THRU JOINT.



PROJECT NO. R-2552AB
 JOHNSTON COUNTY
 STATION: 40+80.000 -L- P.O.C.
 SHEET 5 OF 8

TRANSYSTEMS CORPORATION
 75 Beattie Plaza, Suite 400
 Greenville, SC 29601 (864) 234-0866



STATE OF NORTH CAROLINA
 DEPARTMENT OF TRANSPORTATION
 RALEIGH
 SUPERSTRUCTURE
 PARTIAL PLAN OF SPAN "F"
 AND PLAN OF SPAN "G"
 (LEFT LANE)

REVISIONS						SHEET NO.	
NO.	BY:	DATE:	NO.	BY:	DATE:	S-271	
1			3			TOTAL SHEETS	
2			4			429	

DRAWN BY: M.L. MARLEY DATE: 09/01
 CHECKED BY: J.B. GEILE DATE: 11/01

\$FILES\$
 \$DATE\$
 \$TIME\$