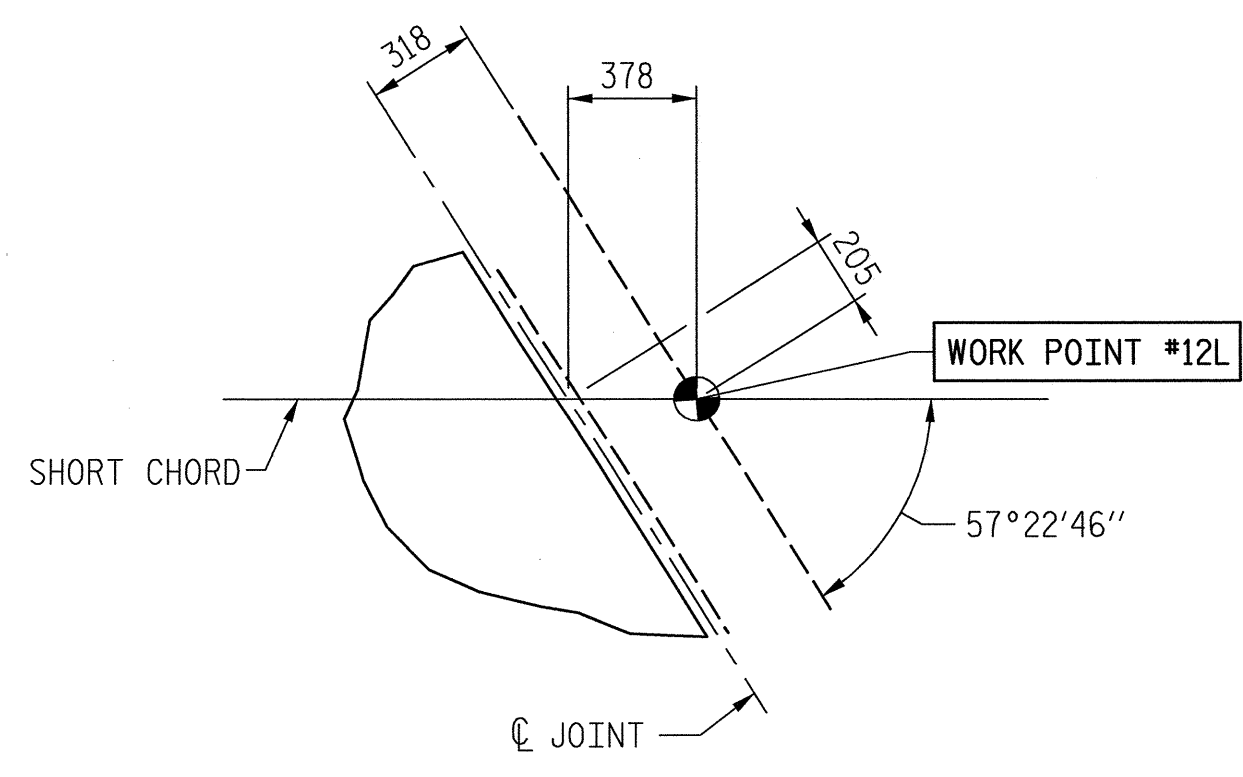


PLAN OF SPAN "K"

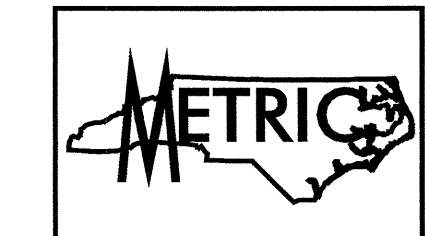
* DENOTES RADIAL DIMENSIONS



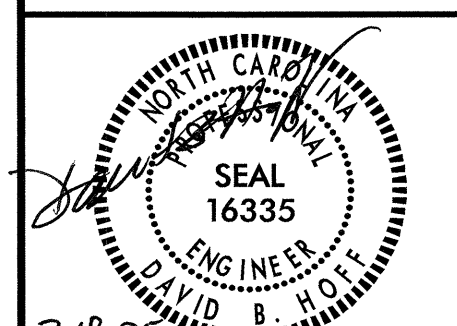
DETAIL OF OFFSET DIMENSIONS

NOTE: SKEWED DIMENSIONS AT END BENT #2 ARE BASED ON A JOINT OPENING OF 25mm AT 16°C.

PROJECT NO. R-2552AB
 JOHNSTON COUNTY
 STATION: 40+80.000 -L- P.O.C.
 SHEET 8 OF 8



TRANSYSTEMS CORPORATION
 75 Beattie Place, Suite 400
 Greenville, SC 29601 (864) 234-0866



STATE OF NORTH CAROLINA
 DEPARTMENT OF TRANSPORTATION
 RALEIGH

SUPERSTRUCTURE
 PLAN OF SPAN "K"
 (LEFT LANE)

REVISIONS						SHEET NO.	
NO.	BY:	DATE:	NO.	BY:	DATE:	S-274	
1			3			TOTAL SHEETS	427
2			4				

DRAWN BY: M.L. MARLEY DATE: 09/01
 CHECKED BY: J.B. GEILE DATE: 11/01

g:\G04\0225\8-dge\Site\Left (WBL)\F.mal\Span-k(wb1).dgn
 3/18/2005 11:25:42 AM