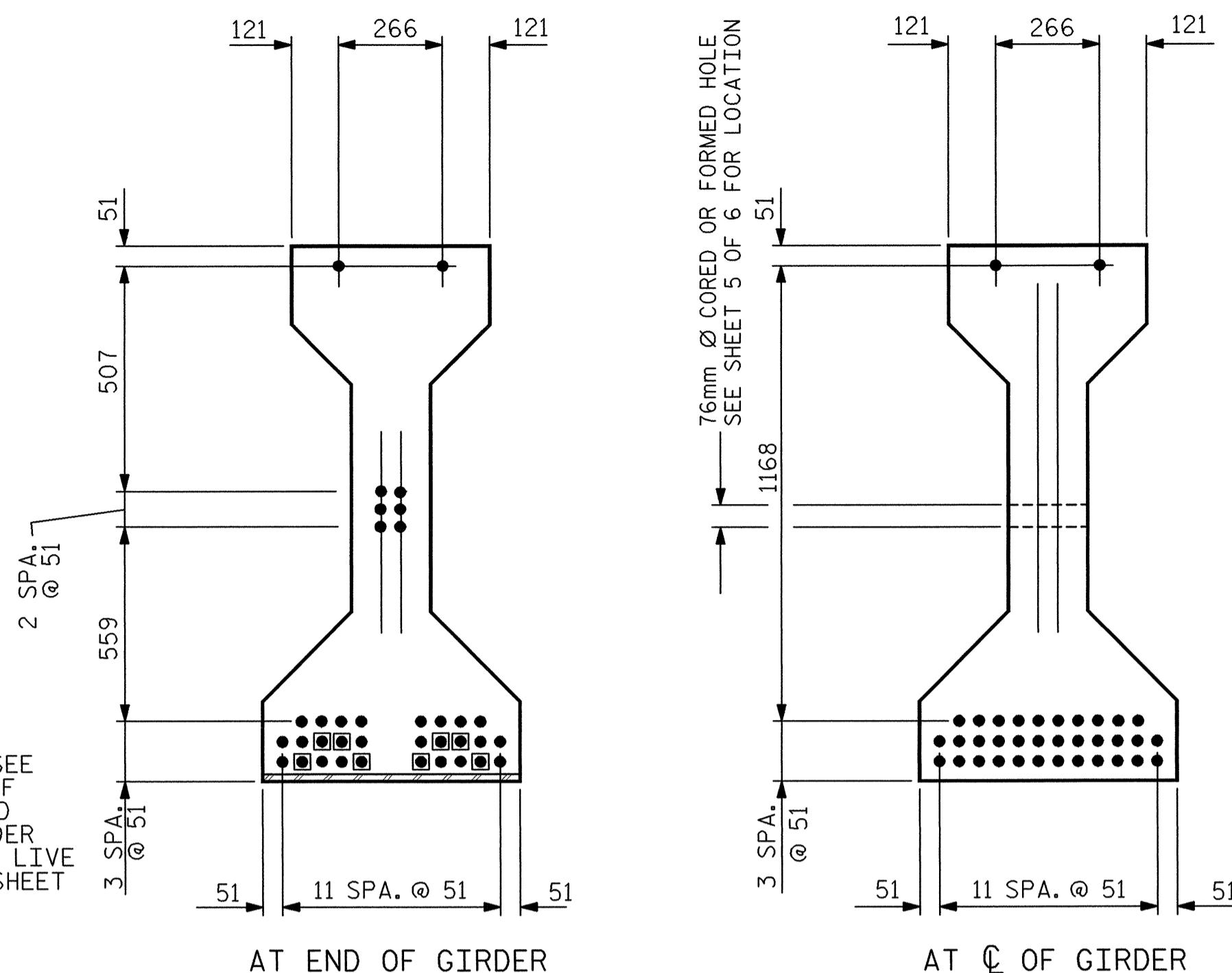


\* FOR S7 BARS, SEE  
DETAIL "A" OF  
PRESTRESSED  
CONCRETE GIRDER  
CONTINUOUS FOR LIVE  
LOAD DETAILS SHEET

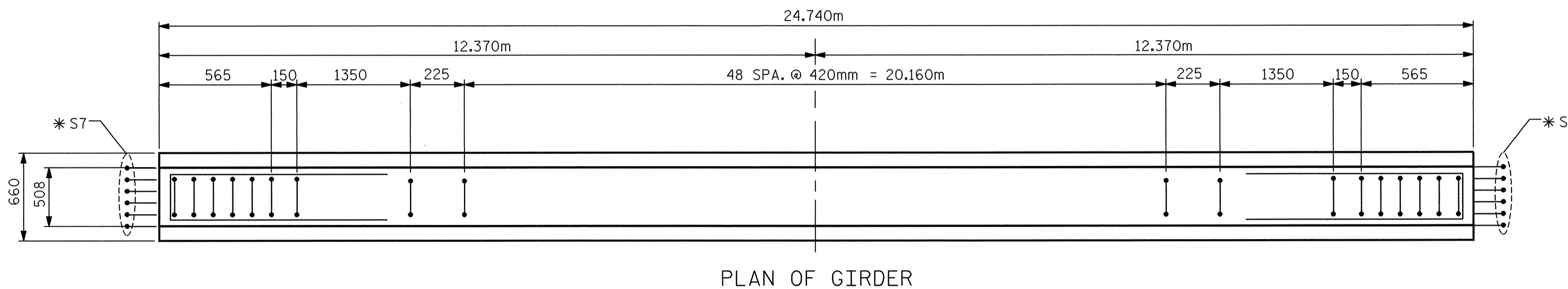


AT END OF GIRDER

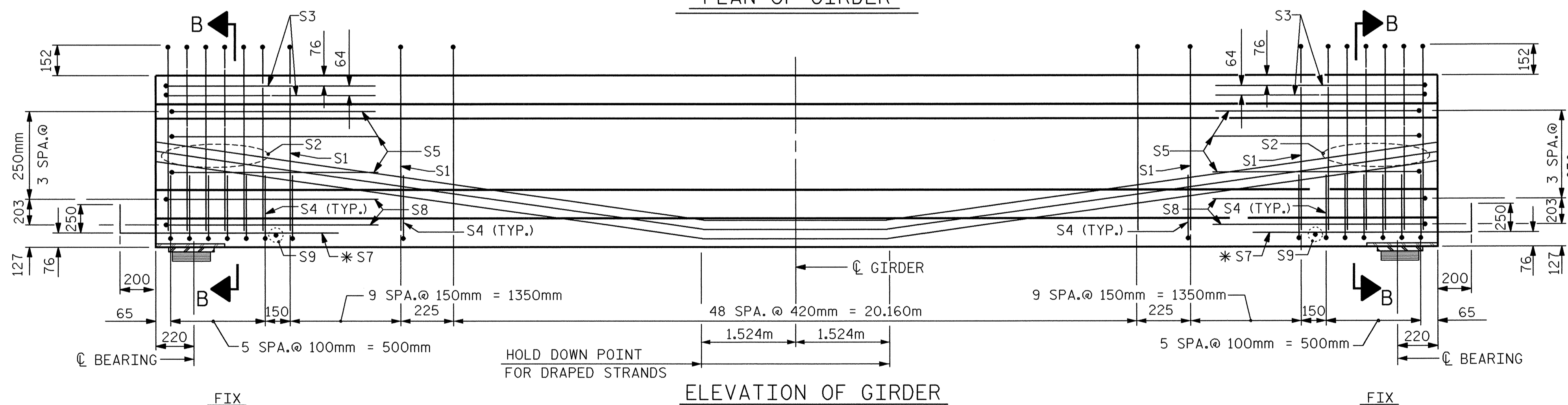
AT C OF GIRDER

12.70mm Ø LOW RELAXATION STRAND LAYOUT

■ DENOTES DEBONDED STRAND FOR 2.0m FROM END OF GIRDER



PLAN OF GIRDER



ELEVATION OF GIRDER

12.70mm Ø L. R. GRADE 270 STRANDS

AREA (mm <sup>2</sup> )	ULTIMATE STRENGTH (kN PER STRAND)	APPLIED PRESTRESS (kN PER STRAND)
98.71	183.7	137.8

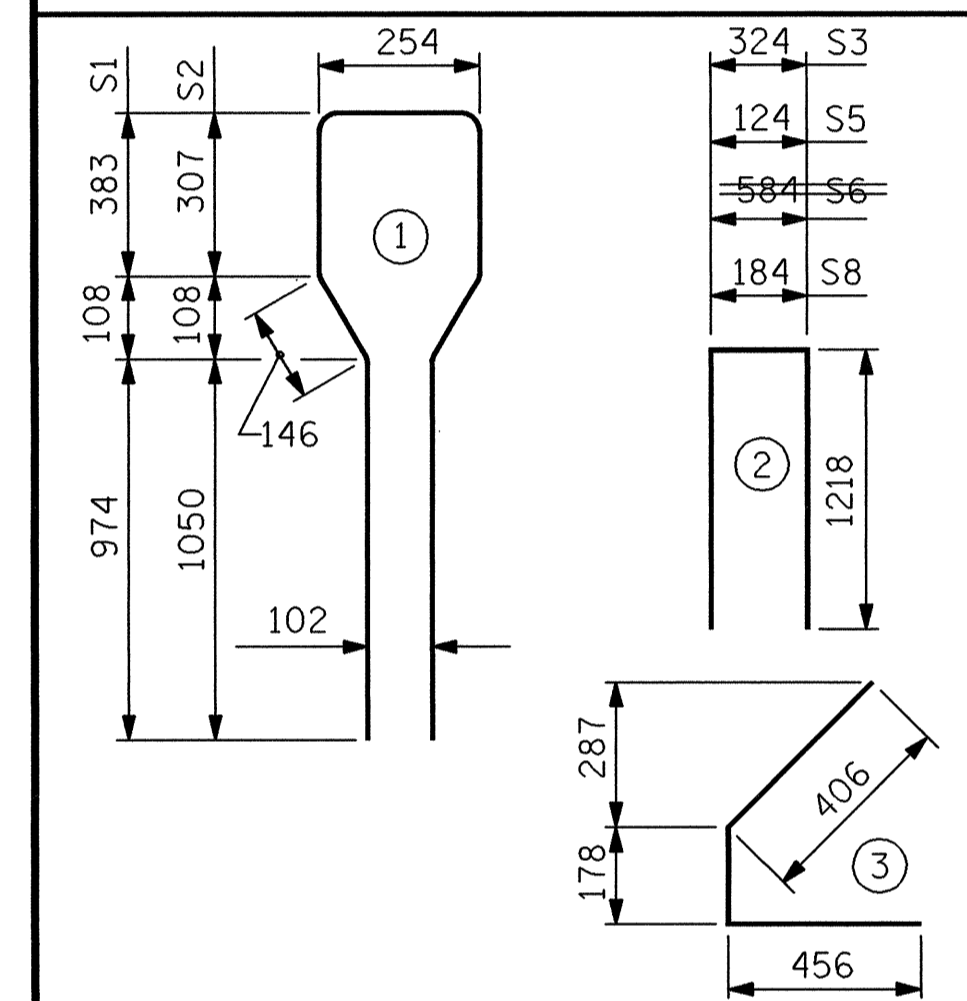
REINFORCING STEEL FOR ONE GIRDER

BAR	NUMBER	SIZE	TYPE	LENGTH	WEIGHT
S1	69	#13	1	3260	224
S2	12	#19	1	3260	87
S3	4	#13	2	2760	11
S4	64	#13	3	1040	66
S5	6	#13	2	2560	15
* S7	12	#16	STR	1120	21
S8	4	#13	2	2620	10
S9	2	#10	STR	560	1

\* NOTE: S7 BARS SHALL BE BENT BEFORE SHIPMENT. HEAT BENDING SHALL NOT BE ALLOWED.

BAR TYPES

ALL BAR DIMENSIONS ARE OUT-TO-OUT



QUANTITIES FOR ONE GIRDER

REINFORCING STEEL	37.9 MPa CONCRETE	12.70mm Ø L.R. STRANDS
	kg	m <sup>3</sup>
SPANS: "C", "F", & "I"	435	12.59
		No.
		36

GIRDERS REQUIRED

SPAN	NUMBER	LENGTH	TOTAL LENGTH
C	5	24.740m	123.700m
F	5	24.740m	123.700m
I	5	24.740m	123.700m

PROJECT NO. R-252AB

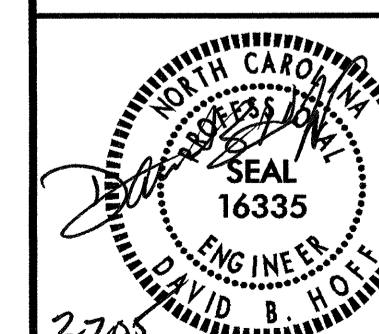
JOHNSTON COUNTY

STATION: 40+80.000 -L- P.O.C.

SHEET 3 OF 6



TRANSYSTEMS CORPORATION  
75 Beattie Place, Suite 400  
Greenville, SC 29601 (864) 234-0866



STATE OF NORTH CAROLINA  
DEPARTMENT OF TRANSPORTATION  
RALEIGH

STANDARD  
AASHTO TYPE IV  
PRESTRESSED CONCRETE GIRDER  
CONTINUOUS FOR LIVE LOAD  
SPANS "C", "F" AND "I"  
(LEFT LANE)

REVISIONS						SHEET NO.
NO.	BY:	DATE:	NO.	BY:	DATE:	5-280
1			3			TOTAL SHEETS
2			4			429

DWG. NO.	TOTAL
21	68

ASSEMBLED BY : JCP	DATE : 7/01
CHECKED BY : JTD	DATE : 7/01
DRAWN BY : ELR 8/91	REV. 5/16/97 EEM/RGW
CHECKED BY : GRP 8/91	REV. 7/17/98 RWW/LES
	REV. 10/17/00 RWW/LES

\$FILES\$  
\$DATES\$  
\$TIME\$