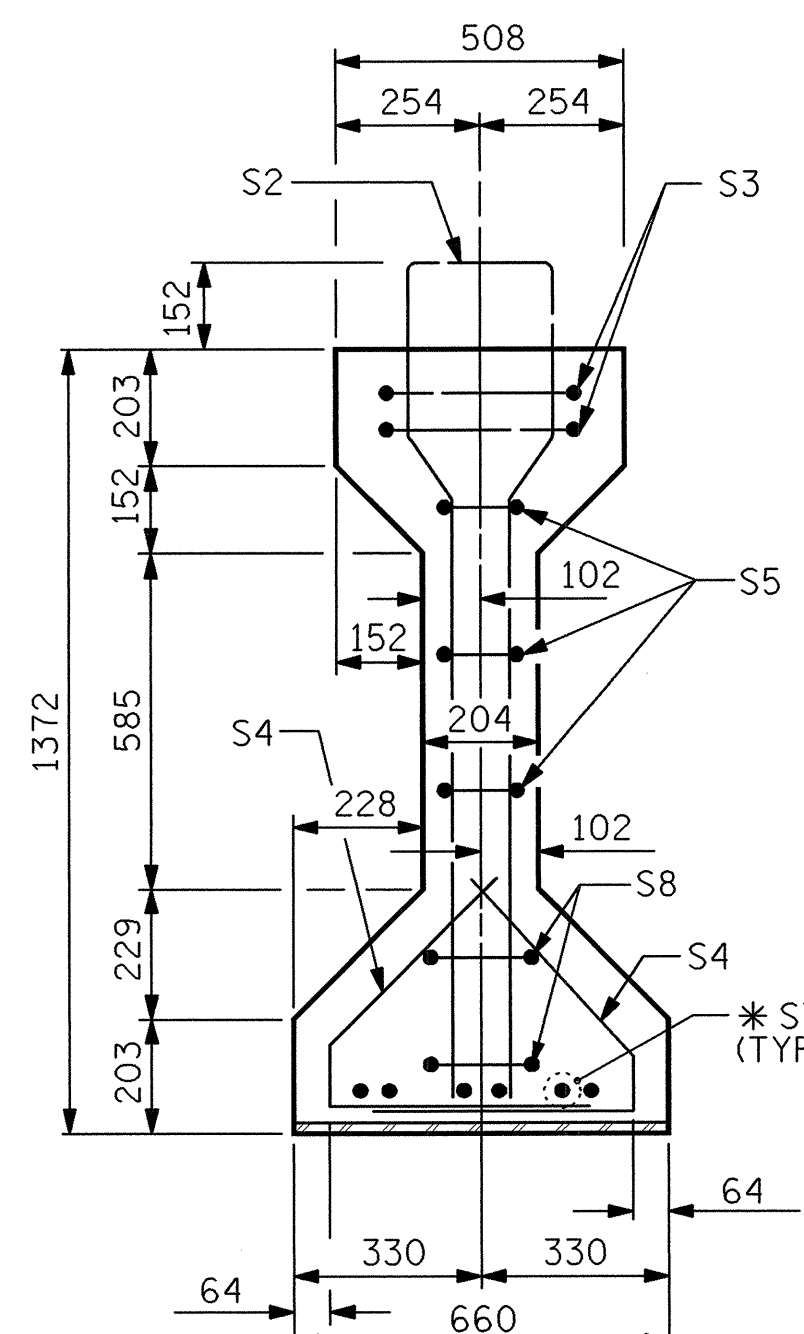
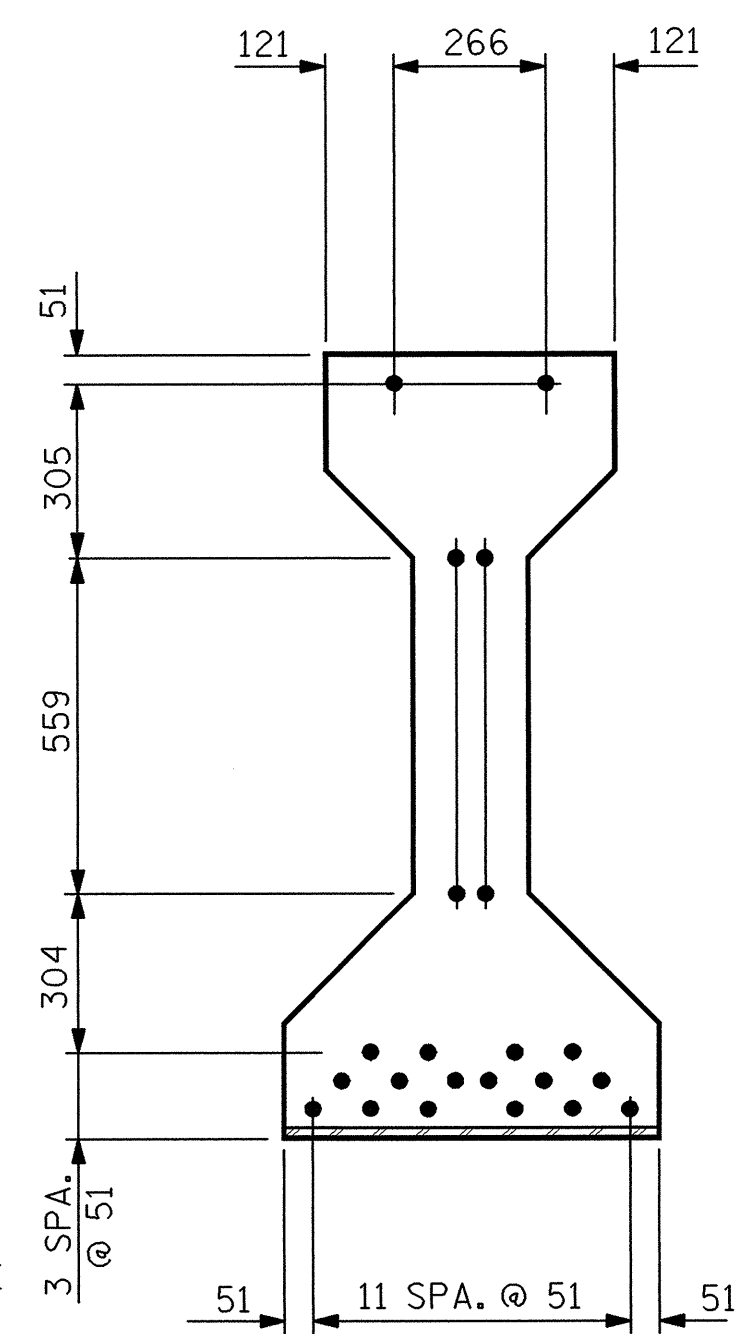


SECTION A-A

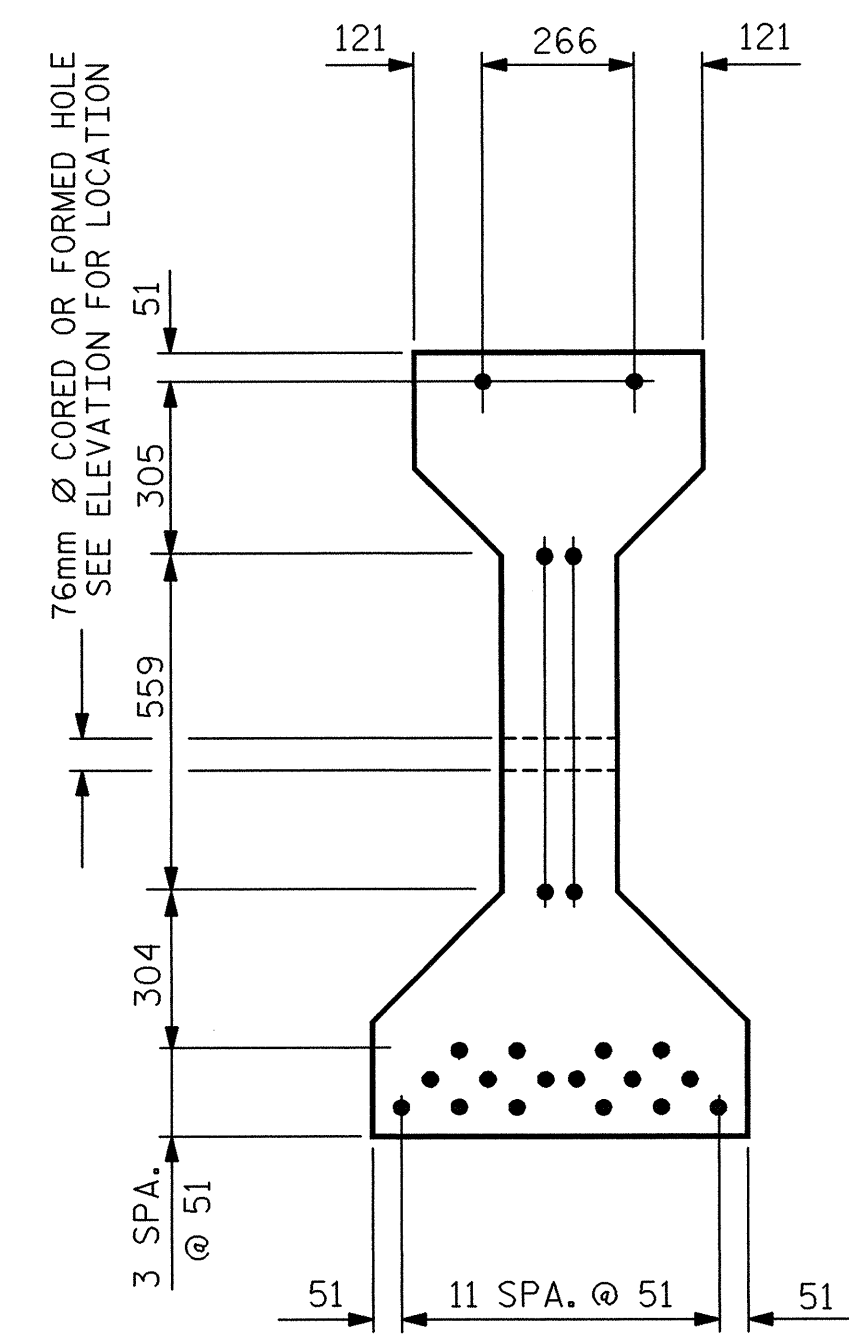


SECTION B-B

\* FOR S7 BARS, SEE  
DETAIL "A" OF  
PRESTRESSED  
CONCRETE GIRDER  
CONTINUOUS FOR LIVE  
LOAD DETAILS SHEET

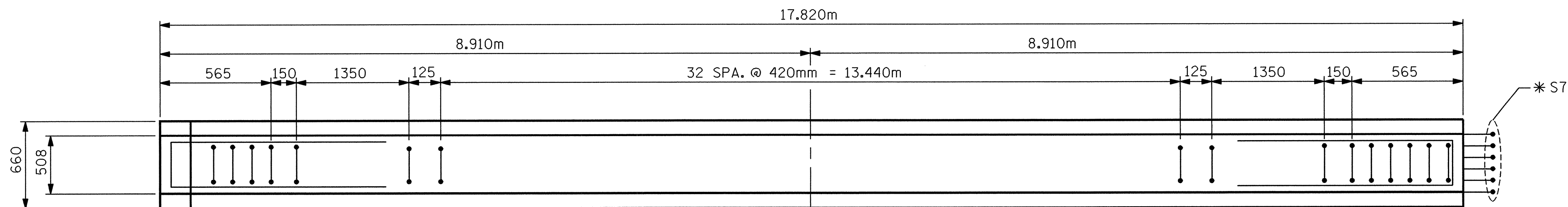


AT END OF GIRDER

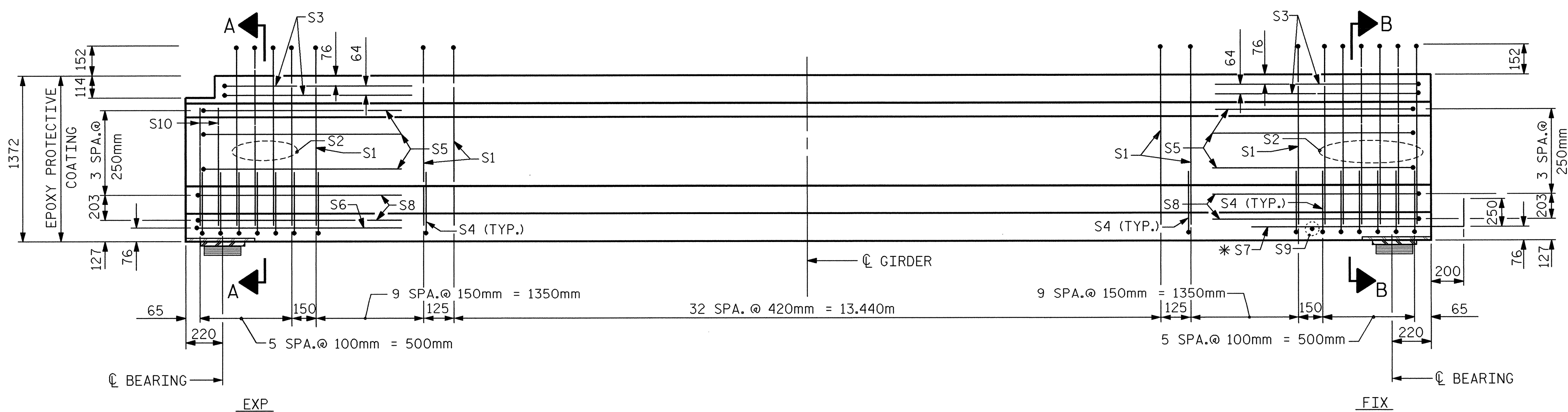


AT CL OF GIRDER

12.70mm Ø LOW RELAXATION STRAND LAYOUT



PLAN OF GIRDER



ELEVATION OF GIRDER

12.70mm Ø L. R. GRADE 270 STRANDS

AREA (mm <sup>2</sup> )	ULTIMATE STRENGTH (kN PER STRAND)	APPLIED PRESTRESS (kN PER STRAND)
98.71	183.7	137.8

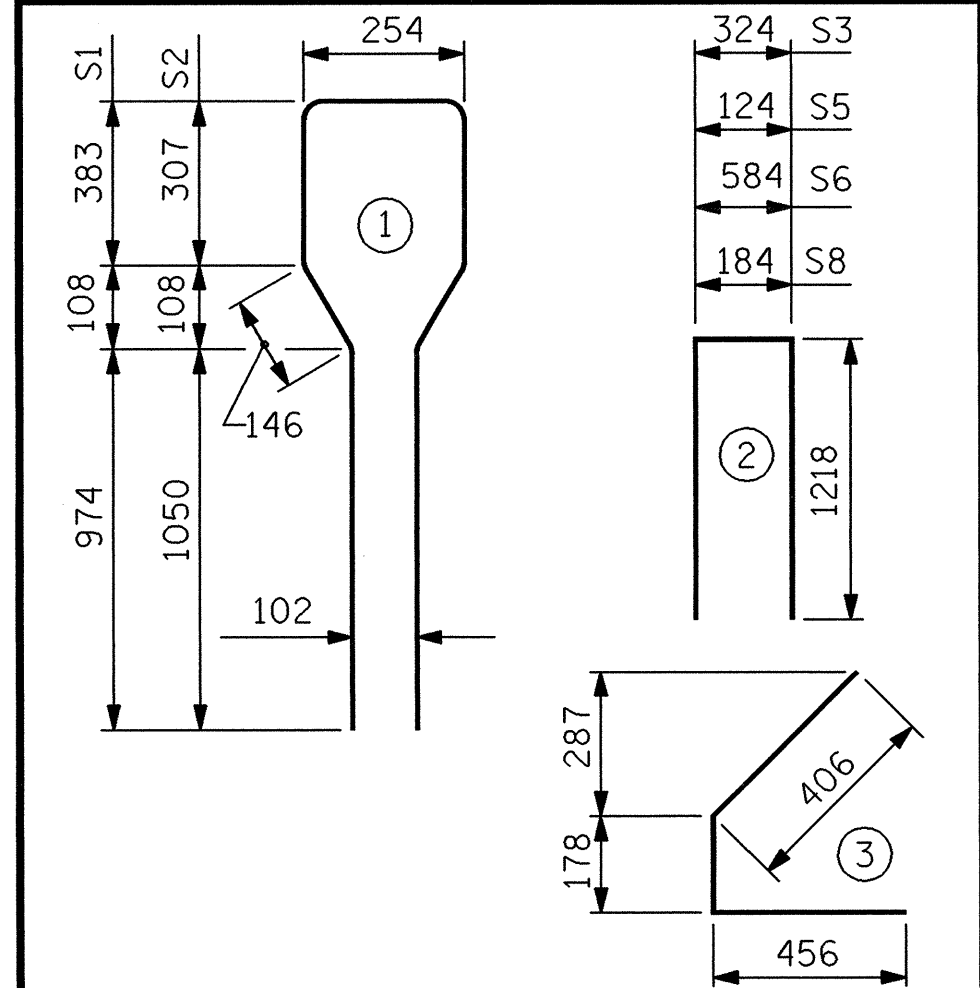
REINFORCING STEEL FOR ONE GIRDER

BAR	NUMBER	SIZE	TYPE	LENGTH	WEIGHT
S1	53	#13	1	3260	172
S2	10	#19	1	3260	73
S3	4	#13	2	2760	11
S4	64	#13	3	1040	66
S5	6	#13	2	2560	15
S6	1	#13	2	3020	3
*S7	6	#16	STR	1120	10
S8	4	#13	2	2620	10
S9	1	#10	STR	560	1
S10	4	#19	STR	1140	10

\* NOTE: S7 BARS SHALL BE BENT BEFORE SHIPMENT. HEAT BENDING SHALL NOT BE ALLOWED.

BAR TYPES

ALL BAR DIMENSIONS ARE OUT-TO-OUT



QUANTITIES FOR ONE GIRDER

SPAN "J"	REINFORCING STEEL	37.9 MPa CONCRETE	12.70mm Ø L.R. STRANDS
	kg	m <sup>3</sup>	No.
J	371	9.06	22

GIRDERS REQUIRED

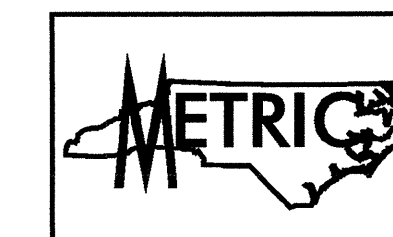
SPAN	NUMBER	LENGTH	TOTAL LENGTH
J	5	17.820m	89.100m

PROJECT NO. R-252AB

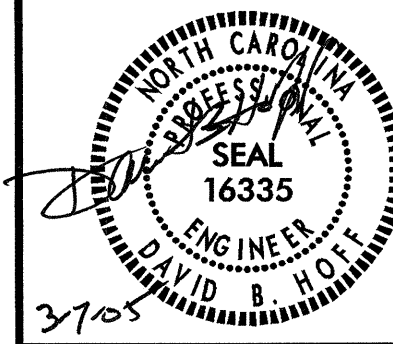
JOHNSTON COUNTY

STATION: 40+80.000 -L- P.O.C.

SHEET 4 OF 6



TRANSYSTEMS CORPORATION  
75 Beattie Place, Suite 400  
Greenville, SC 29601 (864) 234-0866



STATE OF NORTH CAROLINA  
DEPARTMENT OF TRANSPORTATION  
RALEIGH

STANDARD  
AASHTO TYPE IV  
PRESTRESSED CONCRETE GIRDER  
CONTINUOUS FOR LIVE LOAD  
SPAN "J"  
(LEFT LANE)

REVISIONS				SHEET NO.	
NO.	BY:	DATE:	NO.	BY:	DATE:
1			3		
2			4		

DWG. NO.	TOTAL
22	68

STD. No. P068SM

ASSEMBLED BY : JCP	DATE : 7/01
CHECKED BY : JTD	DATE : 7/01
DRAWN BY : ELR 8/91	REV. 5/16/97 EEM/RGW
CHECKED BY : GRP 8/91	REV. 7/17/98 RWW/LES
	REV. 10/17/00 RWW/LES

FILES \$  
DATE \$  
TIME \$