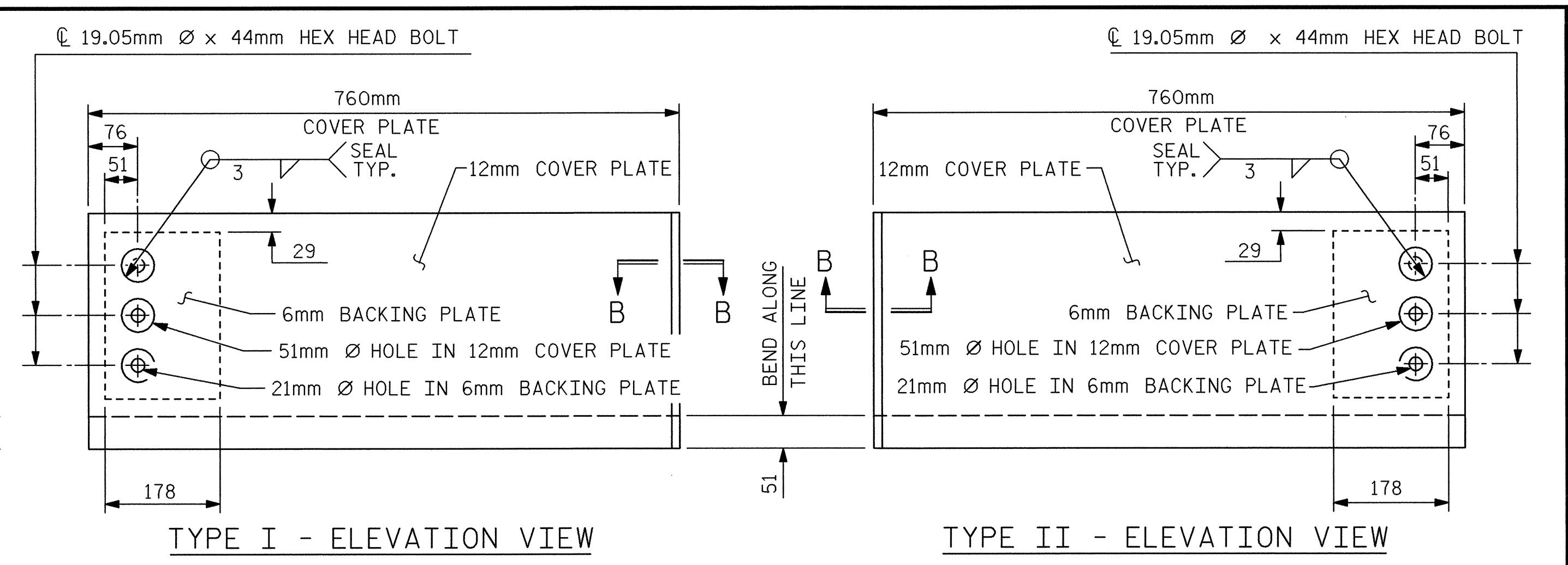
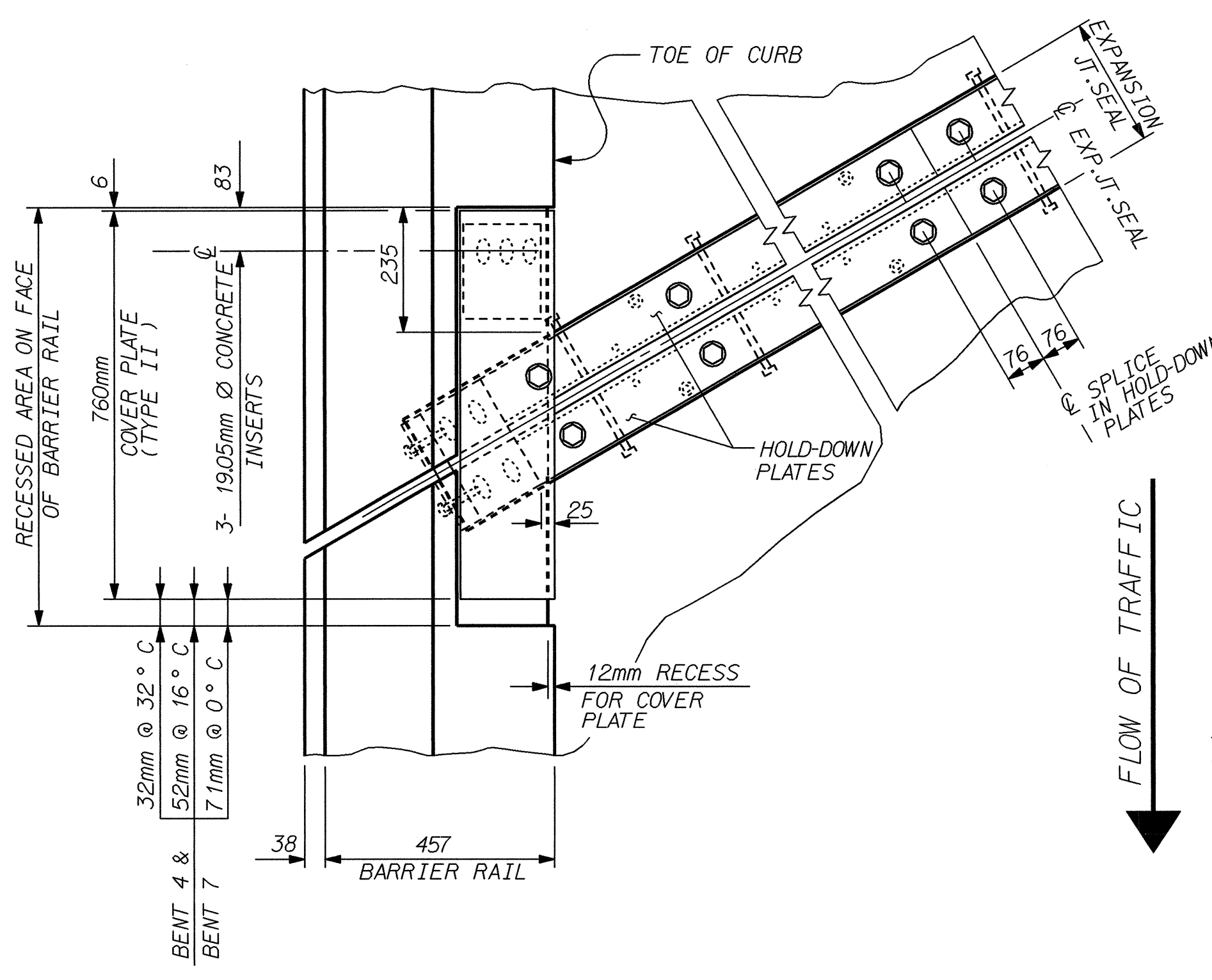


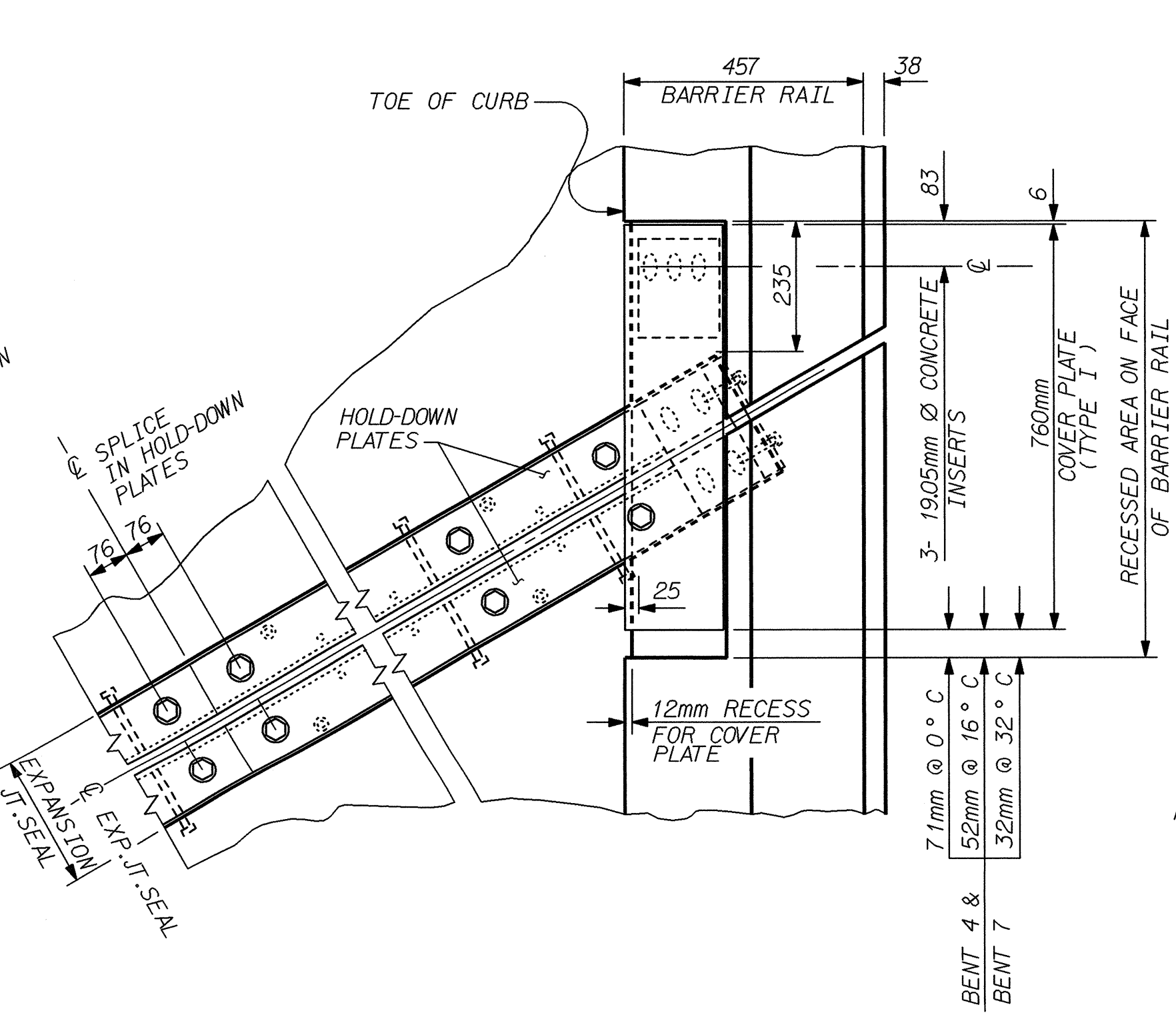
SECTION THRU RAIL NORMAL TO JOINT



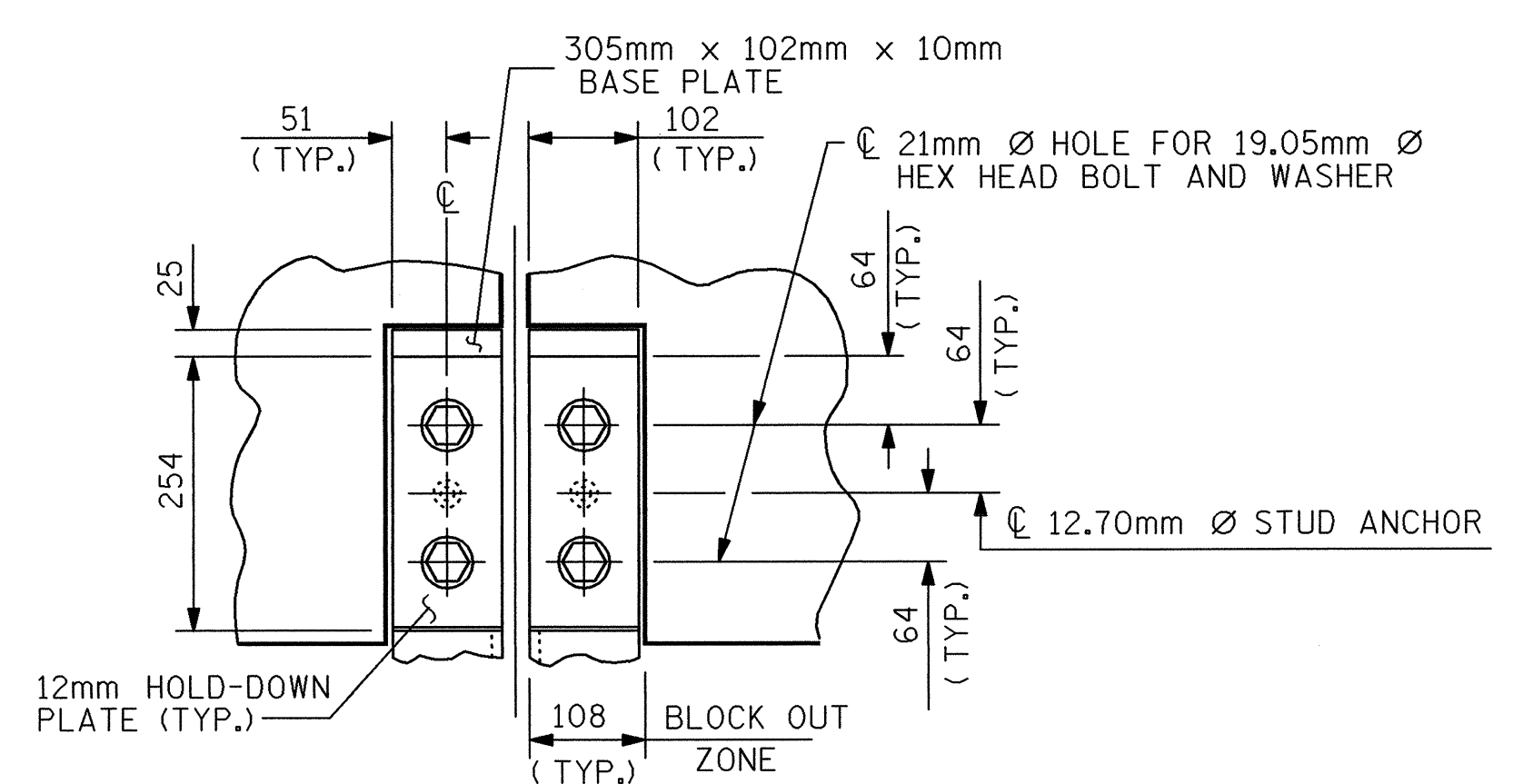
COVER PLATE DETAILS



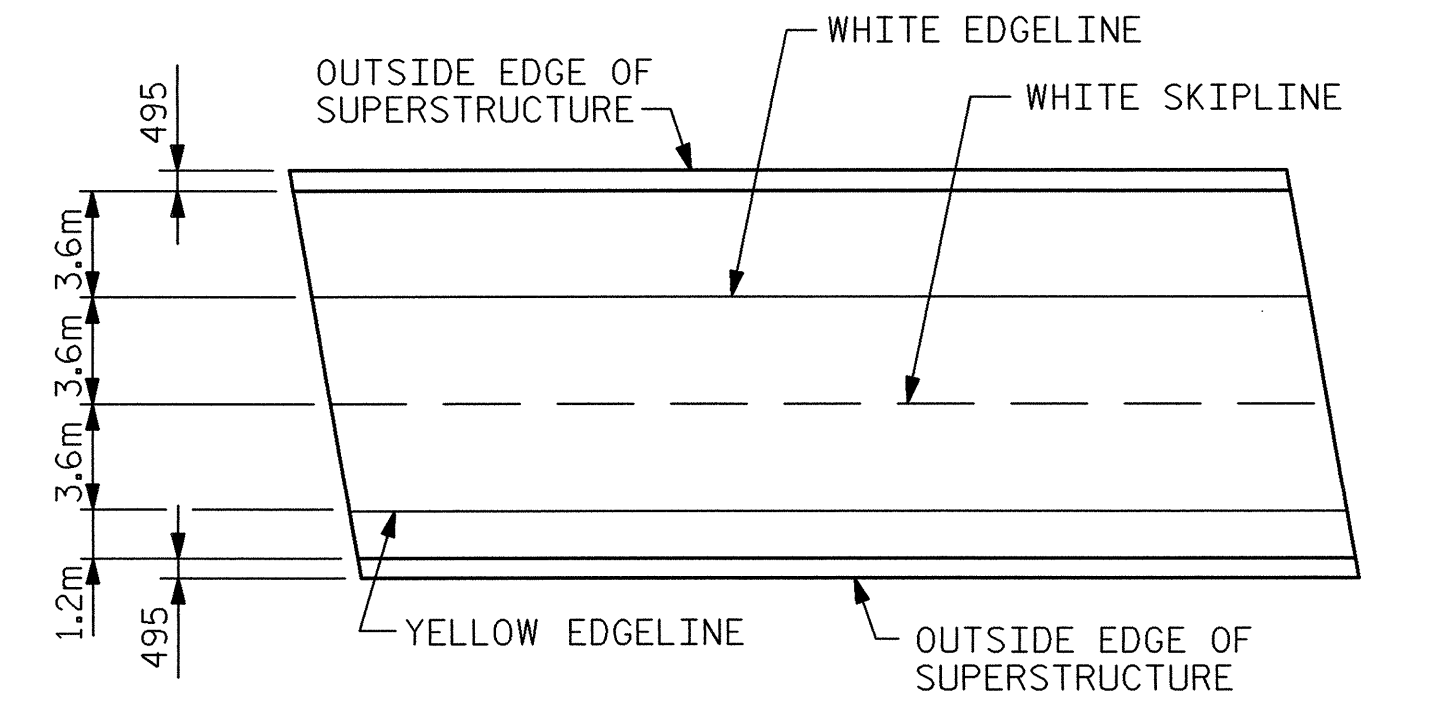
PLAN OF EXPANSION JOINT SEAL - LEFT SIDE



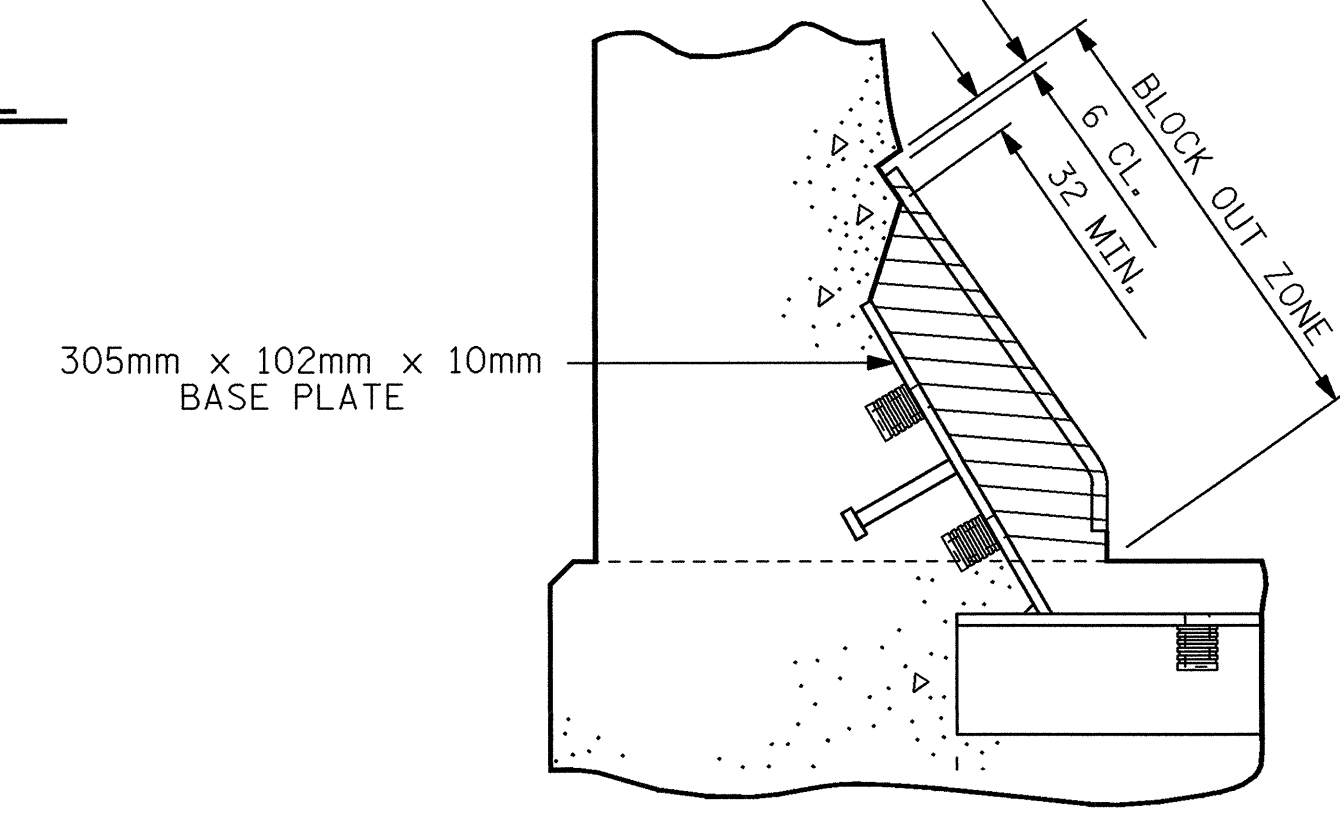
PLAN OF EXPANSION JOINT SEAL - RIGHT SIDE



SECTION A - A

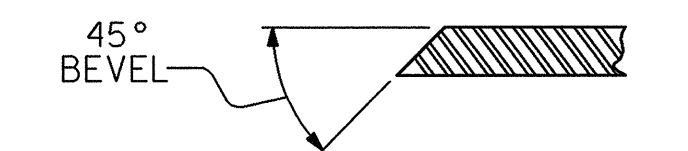


PAVEMENT MARKING ALIGNMENT

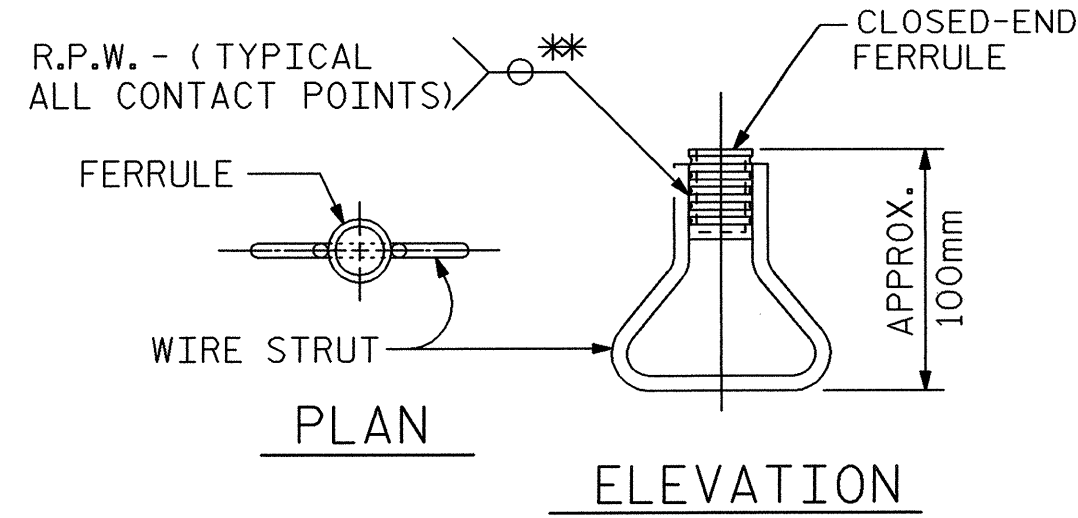


BLOCK OUT DETAIL

SEE "SECTION A - A" FOR OTHER DETAILS.



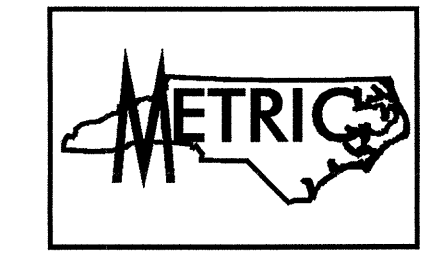
SECTION B - B



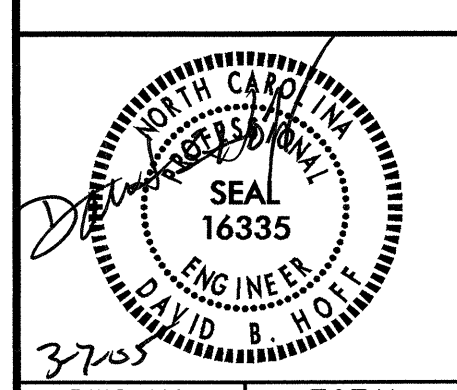
CONCRETE INSERT

** EACH WELDED ATTACHMENT OF WIRE TO FERRULE SHALL DEVELOP THE TENSILE STRENGTH OF THE WIRE.

PROJECT NO. R-2552AB
JOHNSTON COUNTY
 STATION: 40+80.000 -L- P.O.C.
 SHEET 2 OF 2



TRANSYSTEMS CORPORATION
 75 Beattie Place, Suite 400
 Greenville, SC 29601 (864) 234-0866



STATE OF NORTH CAROLINA
 DEPARTMENT OF TRANSPORTATION
 RALEIGH
 STANDARD
 EXPANSION JOINT
 SEAL DETAILS
 FOR BARRIER RAIL
 (LEFT LANE)

ASSEMBLED BY : M.T. BELISLE	DATE : 1/02
CHECKED BY : D.B. HOFF	DATE : 1/02
DRAWN BY : REK 9/87	REV. 5/16/97 EEM/RGW
CHECKED BY : CRK 10/87	REV. 7/17/98 RWW/LES
	REV. 10/17/00 RWW/LES

REVISIONS						SHEET NO.
NO.	BY:	DATE:	NO.	BY:	DATE:	5-293
1			3			TOTAL SHEETS
2			4			429

DWG. NO.	TOTAL
34	68