

SUPERSTRUCTURE REINFORCING STEEL LENGTHS ARE BASED ON THE FOLLOWING MINIMUM SPLICE LENGTHS

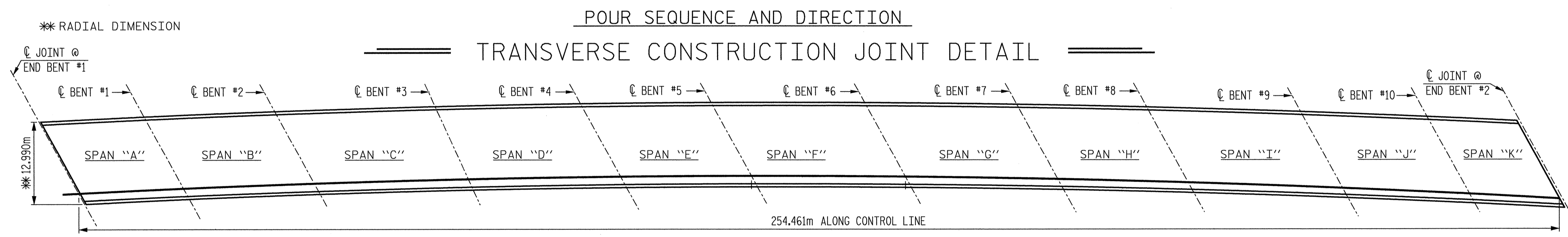
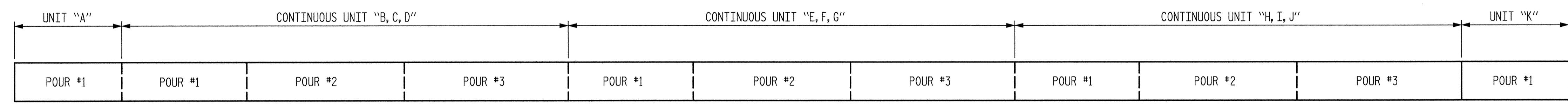
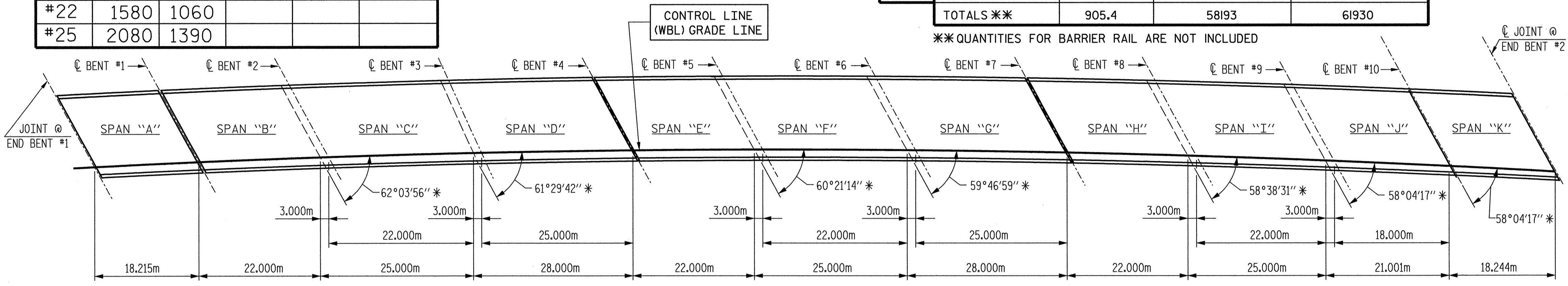
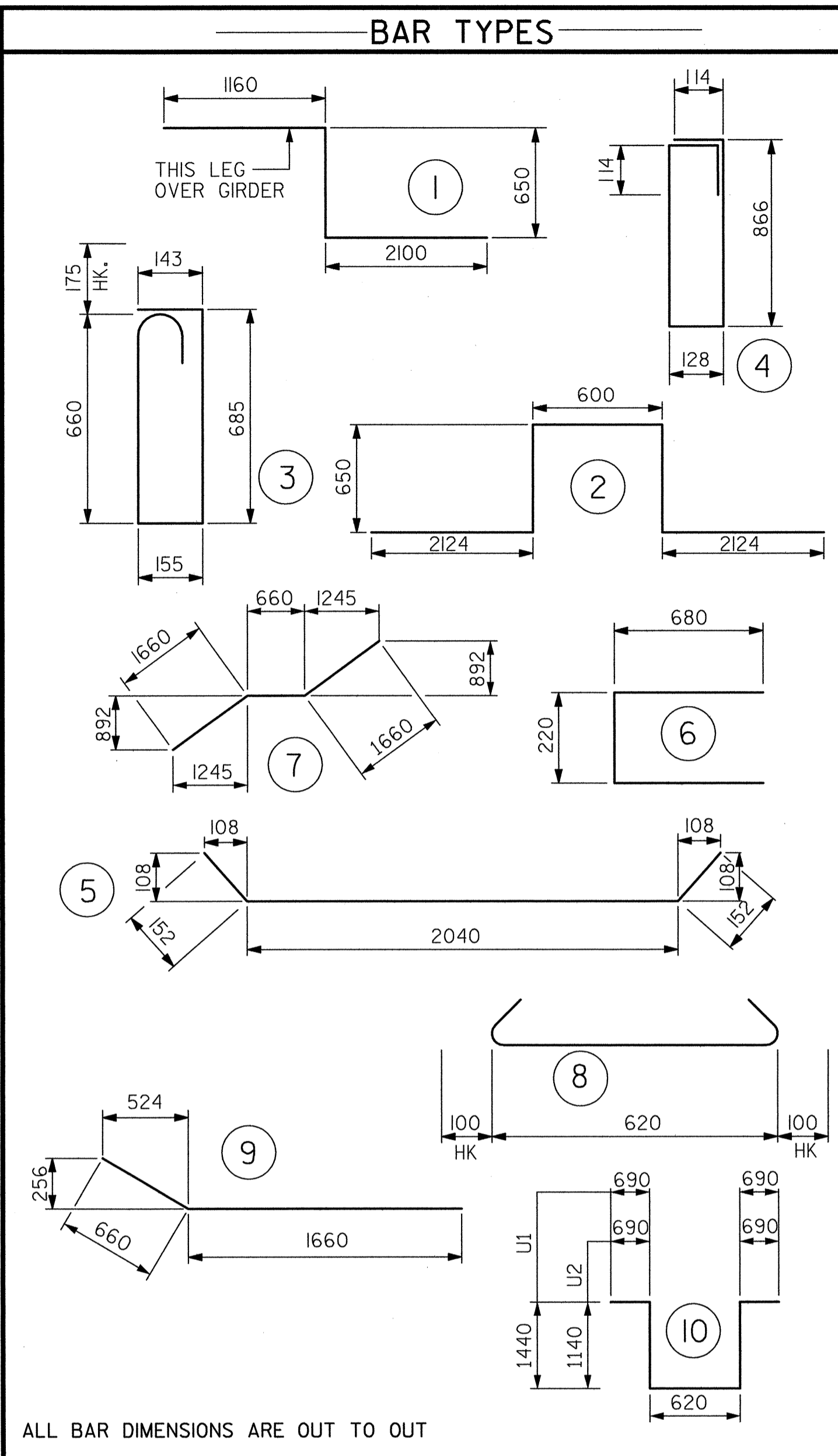
BAR SIZE	SUPERSTRUCTURE EXCEPT APPROACH SLABS, PARAPET, AND BARRIER RAIL		APPROACH SLABS		PARAPET AND BARRIER RAIL
	EPOXY COATED	UNCOATED	EPOXY COATED	UNCOATED	
#13	610	540	610	540	840
#16	770	660	770	660	1050
#19	920	790	1190	790	1330
#22	1580	1060			
#25	2080	1390			

GROOVING BRIDGE FLOORS

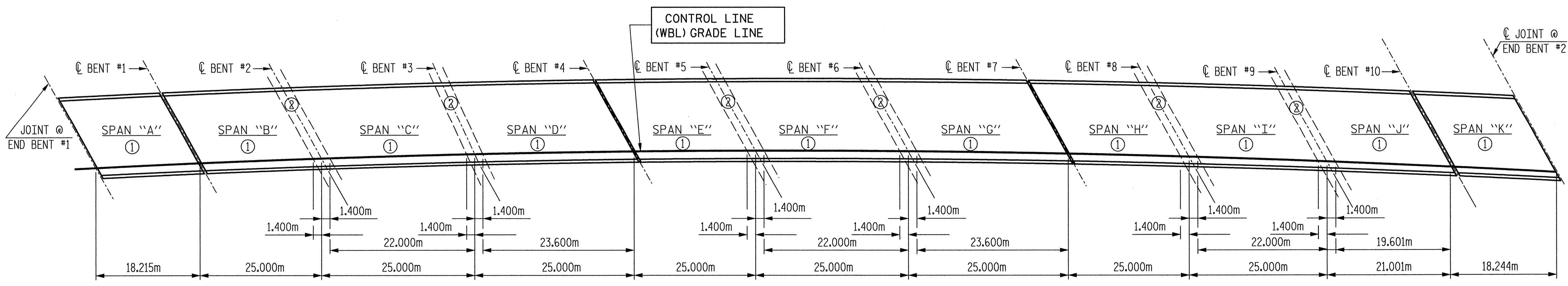
APPROACH SLABS	167.0 SQ.METER
BRIDGE DECK TOTAL	2808.9 SQ.METER
TOTAL	2975.9 SQ.METER

SUPERSTRUCTURE BILL OF MATERIAL			
	CLASS AA CONCRETE (CU. METER)	REINFORCING STEEL (kg)	EPOXY COATED REINFORCING STEEL (kg)
SPANS "A" - "K"		58193	61930
UNIT "A" POUR 1	62.9		
UNIT "A" POUR 2	72.4		
UNIT "A" POUR 3	91.4		
UNIT "B, C, D" POUR 1	102.8		
UNIT "B, C, D" POUR 2	72.4		
UNIT "B, C, D" POUR 3	91.5		
UNIT "E, F, G" POUR 1	103.0		
UNIT "E, F, G" POUR 2	72.5		
UNIT "E, F, G" POUR 3	91.7		
UNIT "H, I, J" POUR 1	81.5		
UNIT "H, I, J" POUR 2	63.4		
UNIT "H, I, J" POUR 3			
TOTALS **	905.4	58193	61930

**QUANTITIES FOR BARRIER RAIL ARE NOT INCLUDED

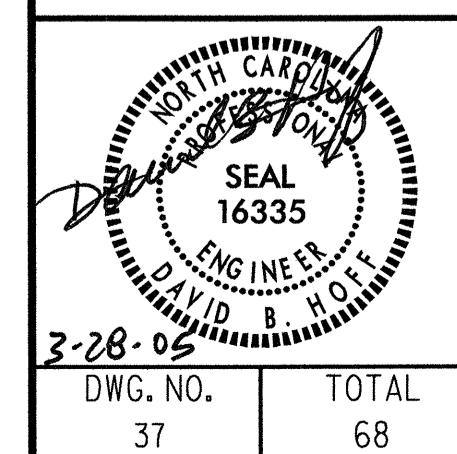


LAYOUT FOR COMPUTING AREA OF REINFORCED CONCRETE DECK SLAB (SQ. METER = 3300.8)



ASSEMBLED BY : M. L. MARLEY	DATE : 10/01
CHECKED BY : J. B. GEILE	DATE : 11/01
DRAWN BY : JMB 5/87	REV. 5/16/97 EEM/RGW
CHECKED BY : SJD 9/87	

PROJECT NO. R-2552AB
 JOHNSTON COUNTY
 STATION: 40+80.000 -L- P.O.C.
 SHEET 3 OF 3



STATE OF NORTH CAROLINA DEPARTMENT OF TRANSPORTATION RALEIGH					
STANDARD SUPERSTRUCTURE BILL OF MATERIAL (LEFT LANE)					
REVISIONS					
NO.	BY:	DATE:	NO.	BY:	DATE:
1			3		
2			4		

SHEET NO.	
5-296	TOTAL SHEETS
429	

g:\CV04\0125\Bridges\Site\Left (WBL)\Final\Bom3(wb1).dgn
 3/28/2005 2:03:44 PM