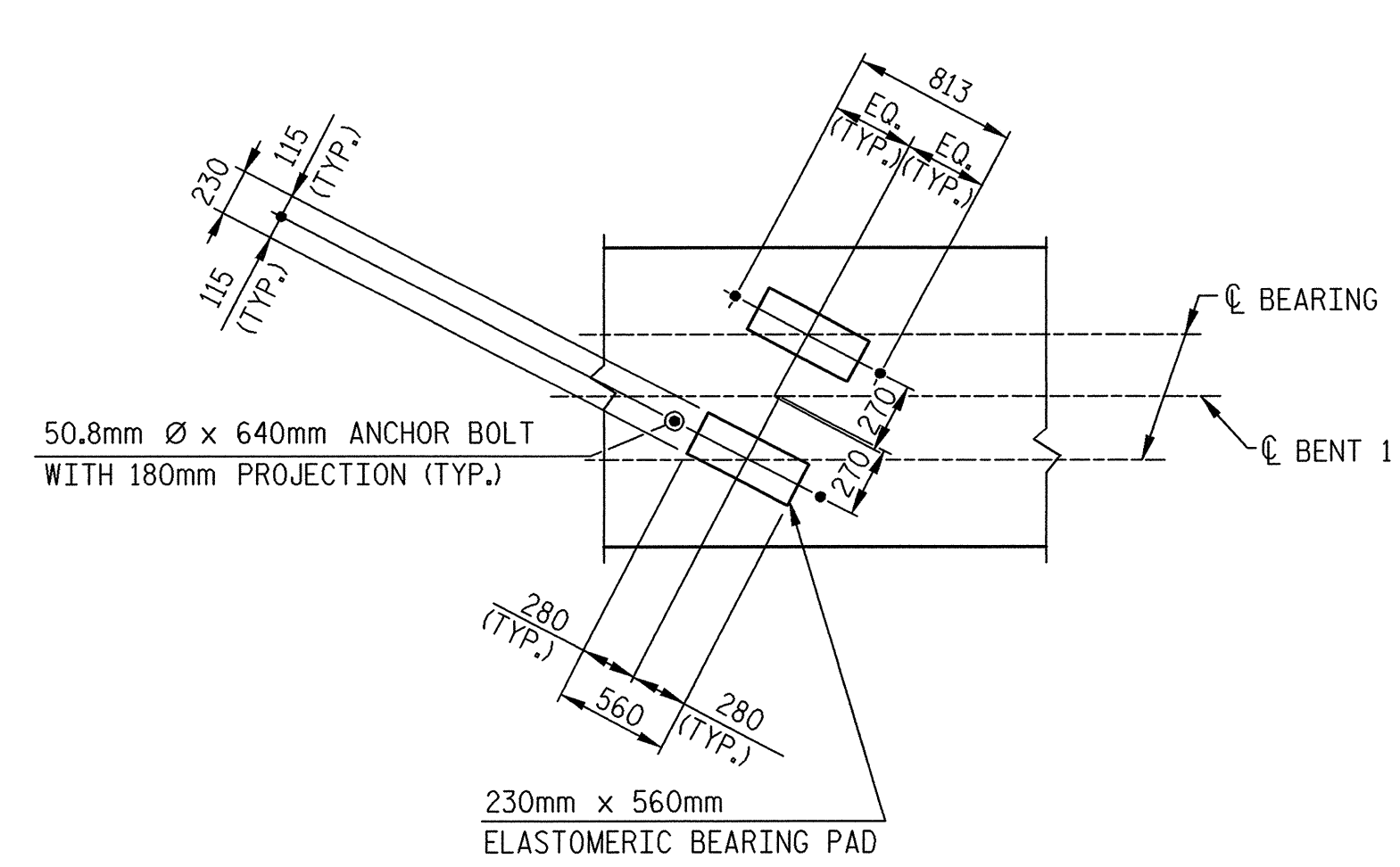
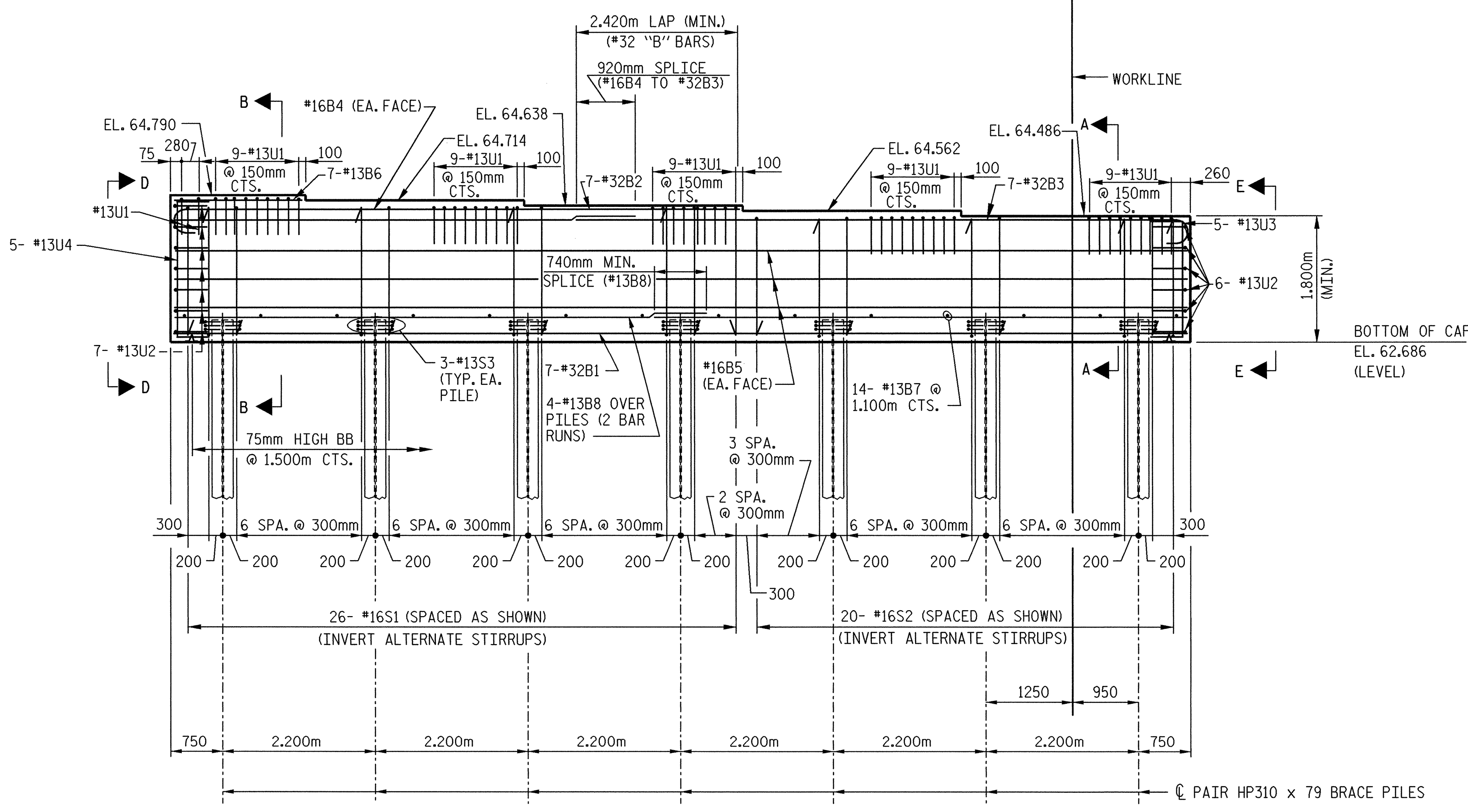


PLAN OF CAP

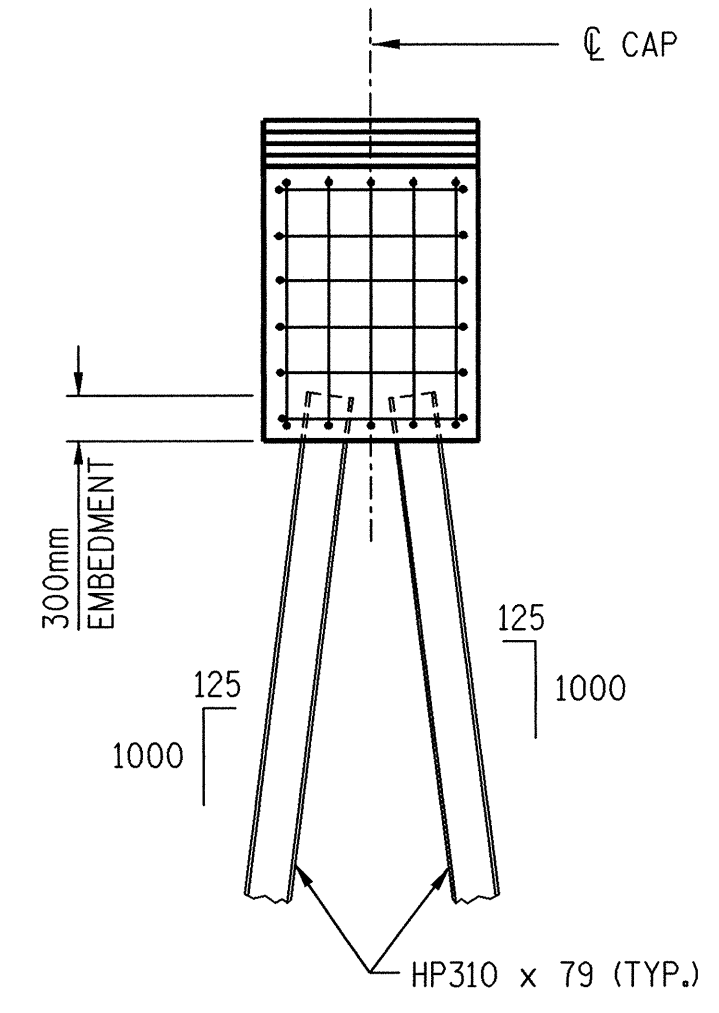
NOTES:
 STIRRUPS AND "U" BARS IN CAP MAY BE SHIFTED SLIGHTLY AS NECESSARY TO CLEAR ANCHOR BOLTS.
 FOR PILE SPLICE DETAILS, SEE SHEET 2 OF 2.
 FOR EPOXY PROTECTIVE COATING, SEE SPECIAL PROVISIONS.



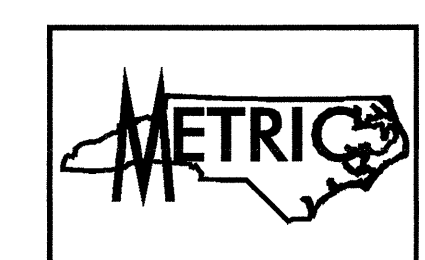
DETAIL 'A'



ELEVATION



END ELEVATION



PROJECT NO. R-2552AB
 JOHNSTON COUNTY
 STATION: 40+80.00 -L- P.O.C.
 SHEET 1 OF 2

TRANSYSTEMS CORPORATION
 75 Beattie Place, Suite 400
 Greenville, SC 29601 (864) 234-0866

STATE OF NORTH CAROLINA
 PROFESSIONAL ENGINEER
 DAVID B. HOFF
 SEAL 16335
 3/25

STATE OF NORTH CAROLINA DEPARTMENT OF TRANSPORTATION RALEIGH					
SUBSTRUCTURE BENT #1 PLAN AND ELEVATION (LEFT LANE)					
REVISIONS					
NO.	BY:	DATE:	NO.	BY:	DATE:
1			3		
2			4		
DWG. NO. 41					TOTAL SHEETS 68
SHEET NO. 5-300					TOTAL SHEETS 429

g:\0404\0125\Bridg\Str\Left (WBL)\Find\Bent1\wbl.dgn
 3/5/2005
 11:54:56 AM

DRAWN BY : J. C. PENDERGRAFT DATE : 7/01
 CHECKED BY : D. B. HOFF DATE : 2/02