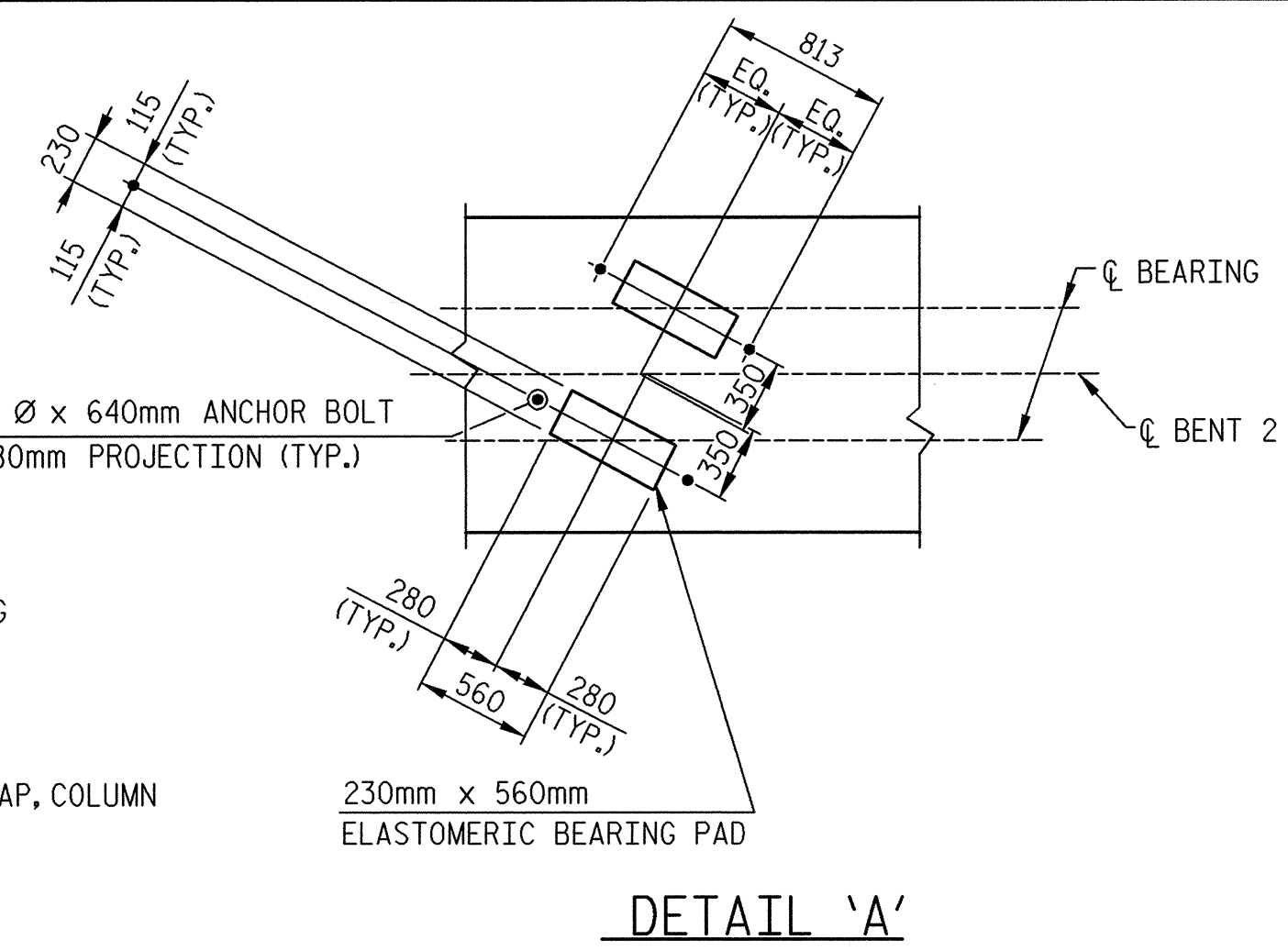


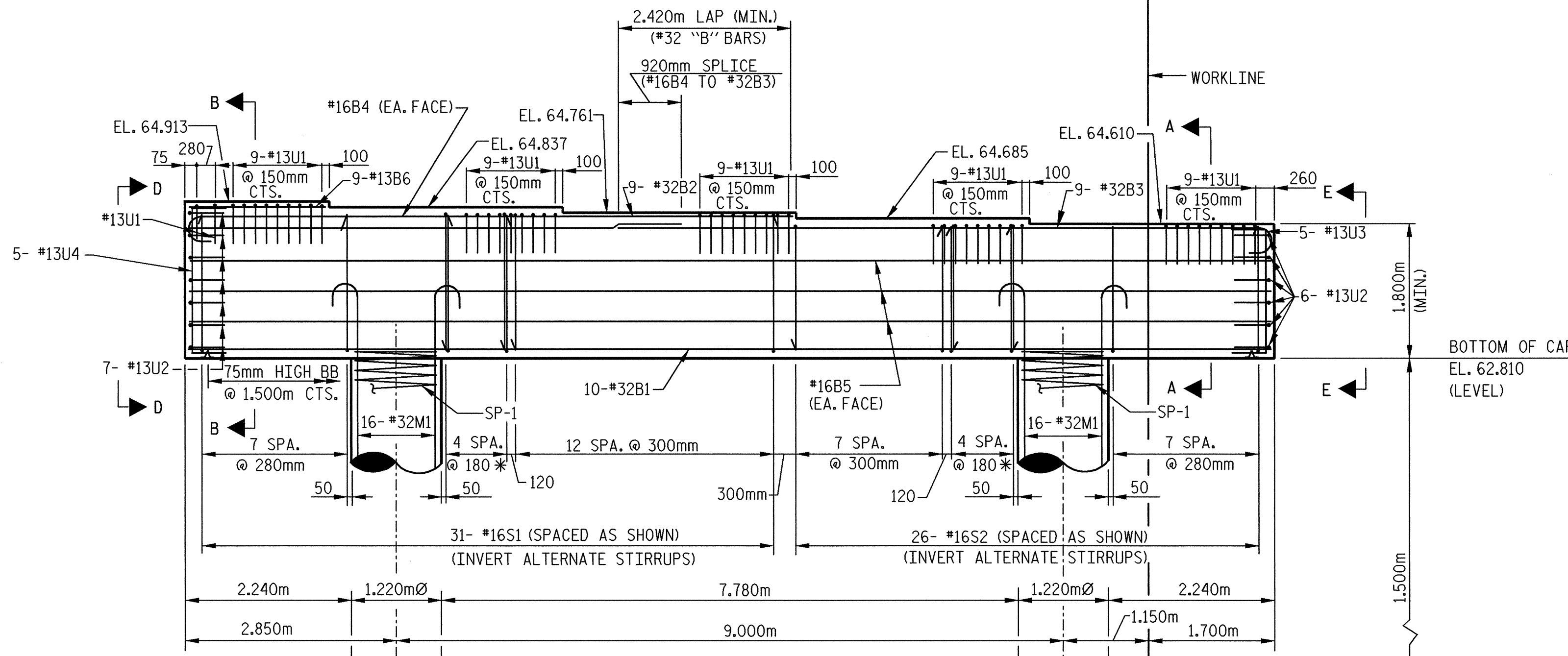
PLAN OF CAP



DETAIL 'A'

NOTES:

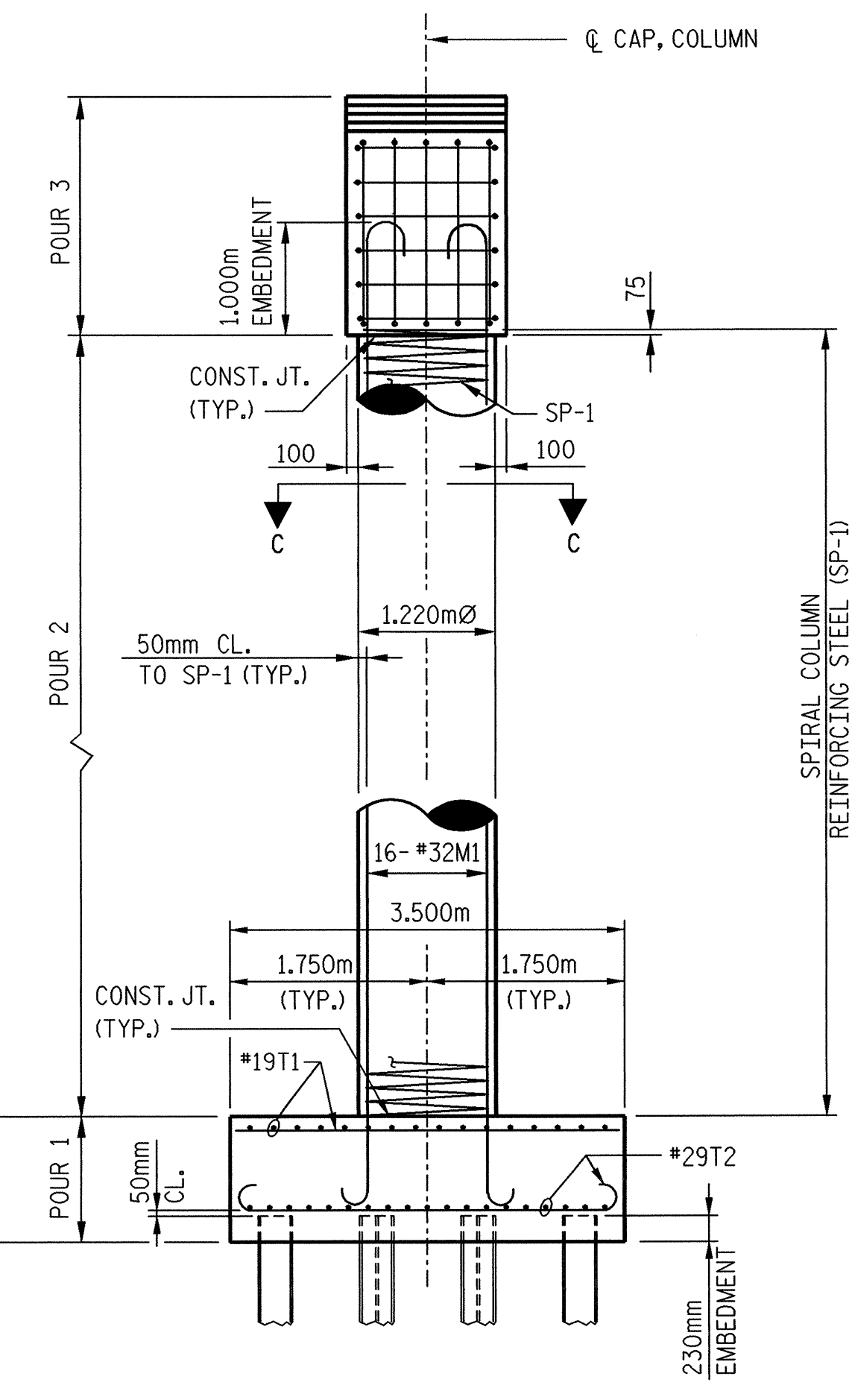
HOOKS ON "M" BARS MAY BE TURNED AS NECESSARY FOR PLACING REINFORCING STEEL.  
STIRRUPS AND "U" BARS IN CAP MAY BE SHIFTED SLIGHTLY AS NECESSARY TO CLEAR ANCHOR BOLTS.



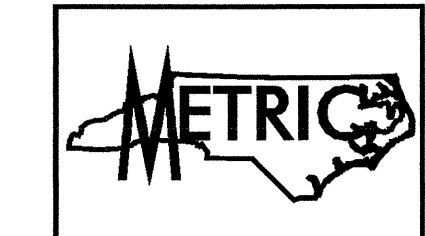
ELEVATION

DRAWN BY: J. C. PENDERGRAFT DATE: 7/01  
CHECKED BY: D. B. HOFF DATE: 2/02

\* BUNDLED PAIRS OF #16 STIRRUPS



END ELEVATION



PROJECT NO. R-2552AB  
JOHNSTON COUNTY  
STATION: 40+80.00 -L- P.O.C.  
SHEET 1 OF 2

TRANSYSTEMS CORPORATION  
4917 Waters Edge Drive, Suite 235  
Raleigh, NC 27606 (919) 233-8125

STATE OF NORTH CAROLINA  
DEPARTMENT OF TRANSPORTATION  
RALEIGH

SEAL 16335  
ENGINEER  
DAVID B. HOFF

REVISIONS						SHEET NO.
NO.	BY:	DATE:	NO.	BY:	DATE:	TOTAL SHEETS
1			3			5-302
2			4			429

g:\V04\0125\Bridg\SFref\Left (WBL\Final)\Bent2(wbl).dgn  
3/5/2005  
12:01:03 PM