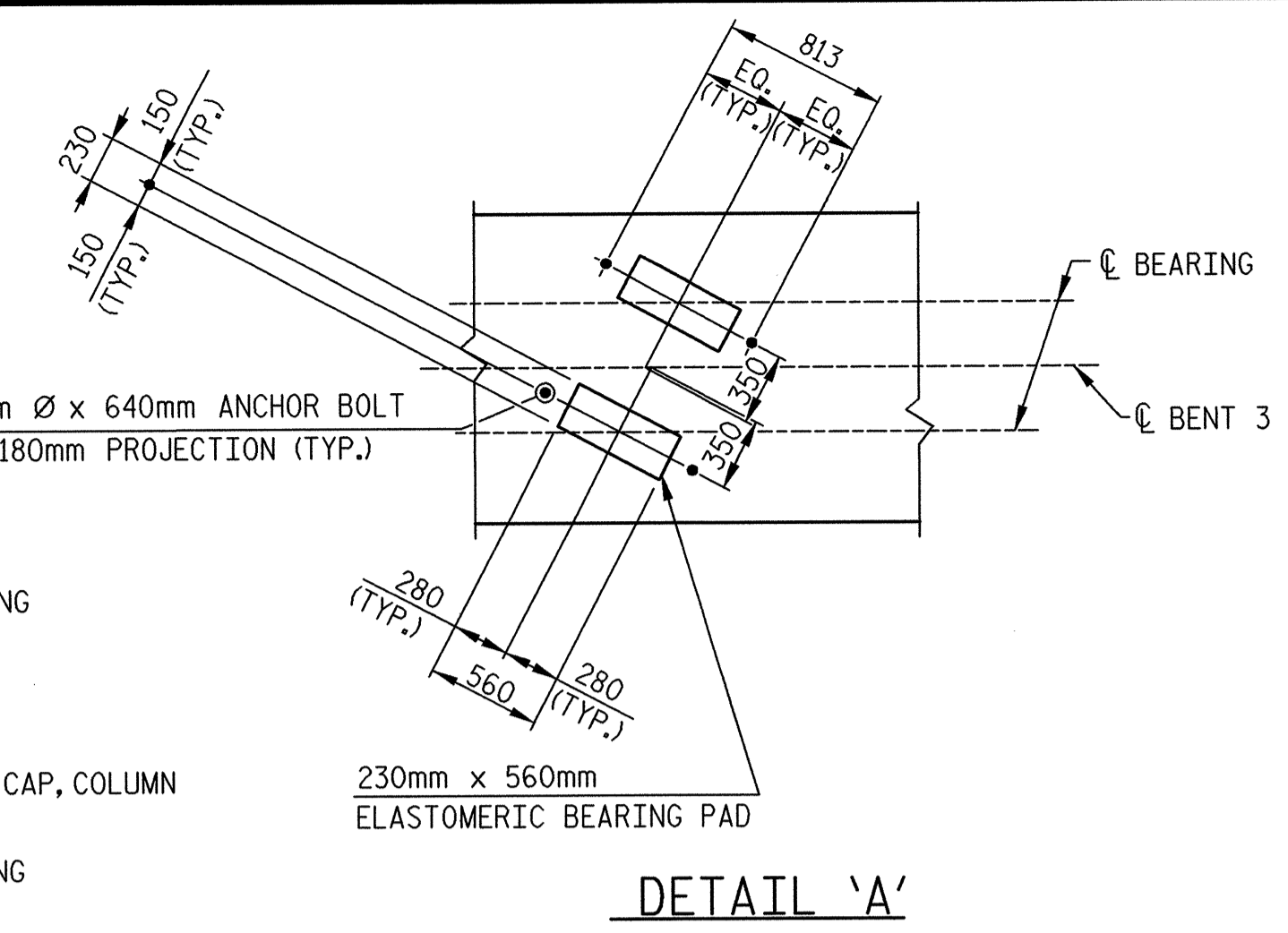


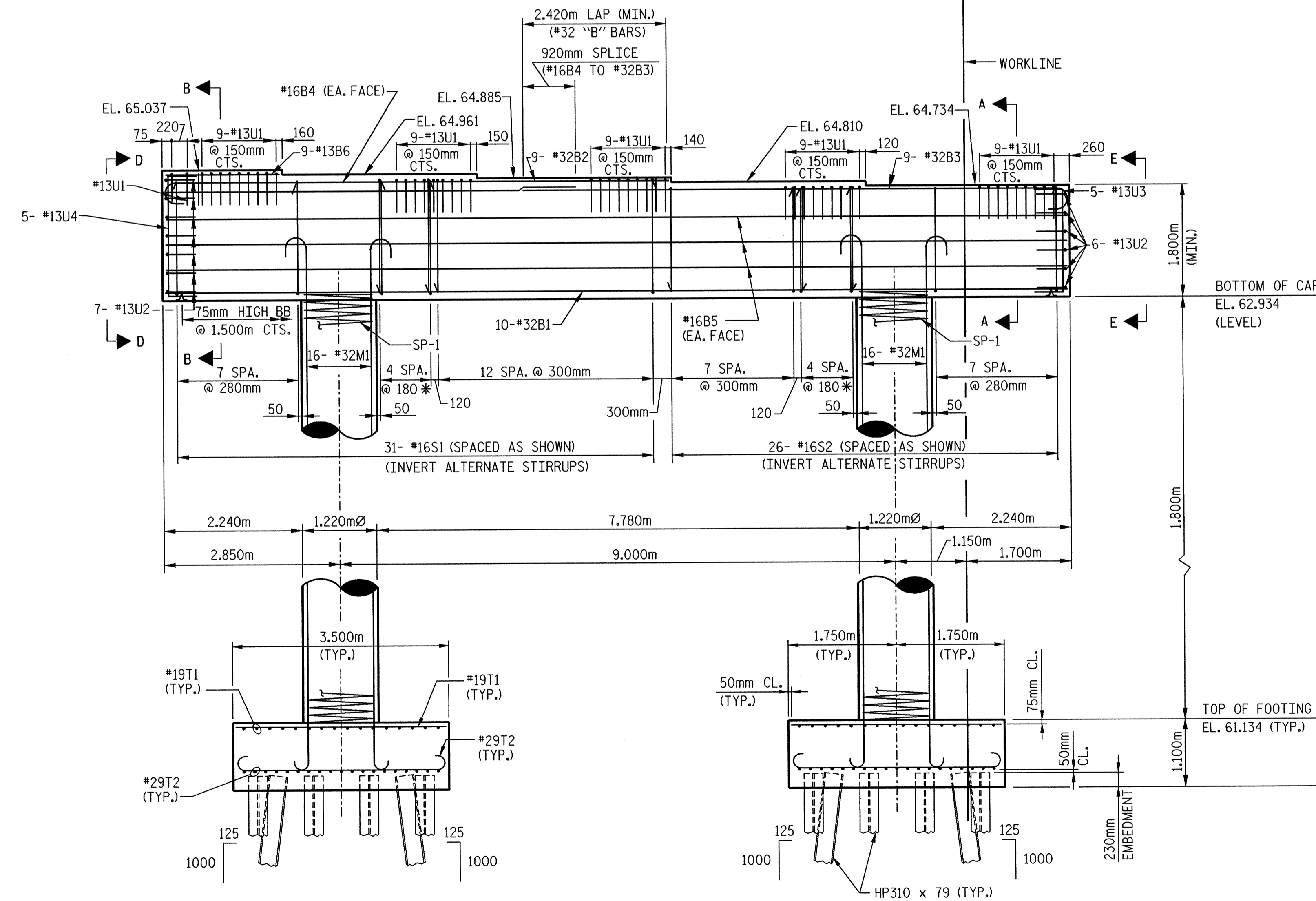
PLAN OF CAP



DETAIL 'A'

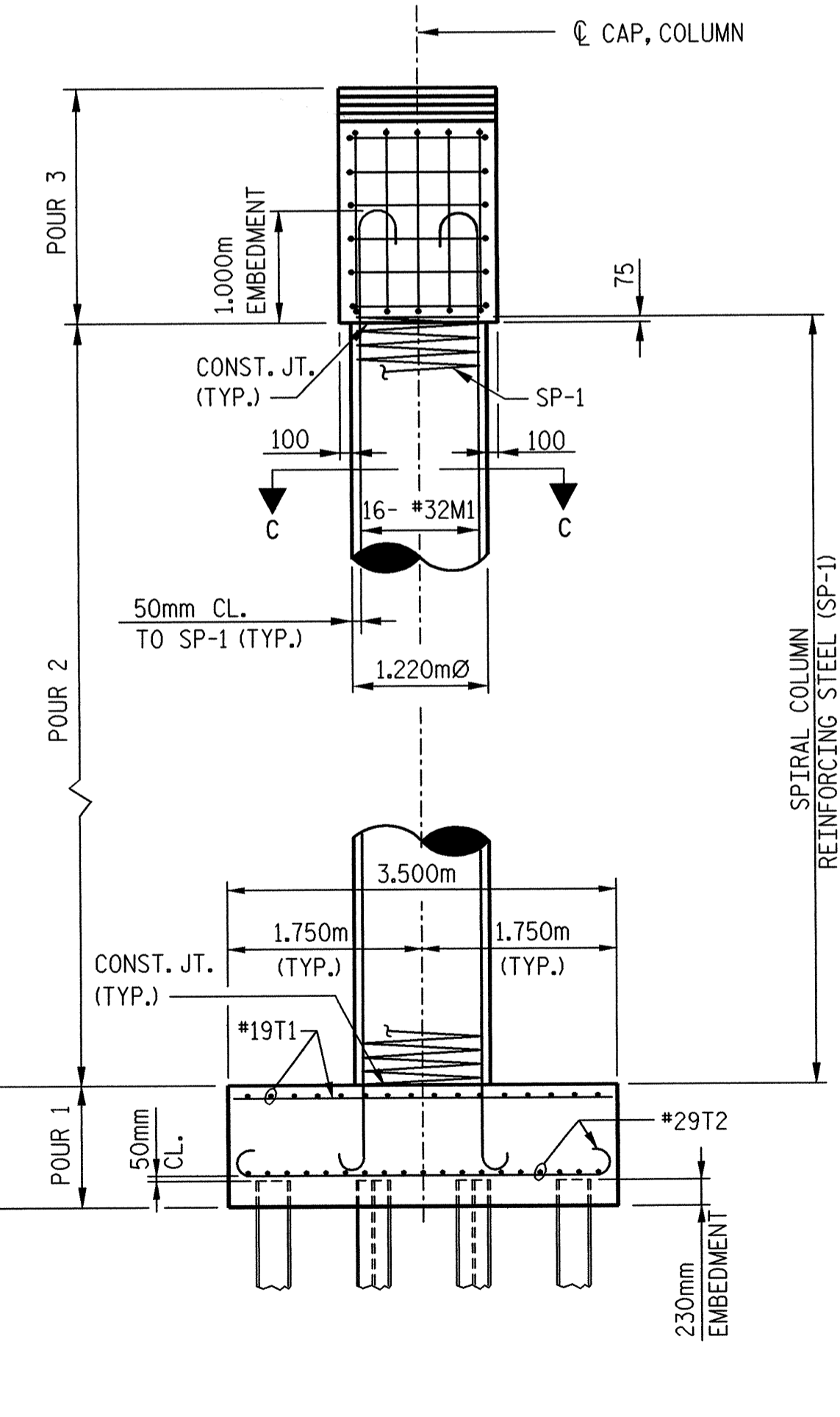
NOTES:

HOOKS ON "M" BARS MAY BE TURNED AS NECESSARY FOR PLACING REINFORCING STEEL.
STIRRUPS AND "U" BARS IN CAP MAY BE SHIFTED SLIGHTLY AS NECESSARY TO CLEAR ANCHOR BOLTS.



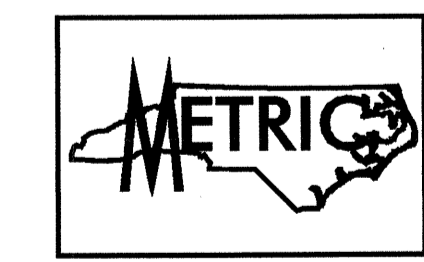
ELEVATION

* BUNDLED PAIRS OF #16 STIRRUPS



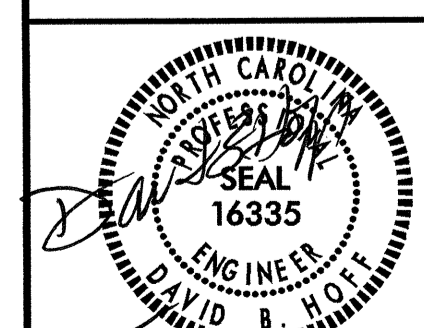
END ELEVATION

DRAWN BY : J. C. PENDERGRAFT DATE : 7/01
CHECKED BY : D. B. HOFF DATE : 2/02



PROJECT NO. R-2552AB
JOHNSTON COUNTY
STATION: 40+80.00 -L- P.O.C.

TRANSYSTEMS CORPORATION
75 Beattie Place, Suite 400
Greenville, SC 29601 (864) 234-0866



STATE OF NORTH CAROLINA
DEPARTMENT OF TRANSPORTATION
RALEIGH
SUBSTRUCTURE
BENT #3
PLAN AND ELEVATION
(LEFT LANE)

REVISIONS						SHEET NO.
NO.	BY:	DATE:	NO.	BY:	DATE:	TOTAL SHEETS
1			3			5-364
2			4			429

DWG. NO.	TOTAL
45	68