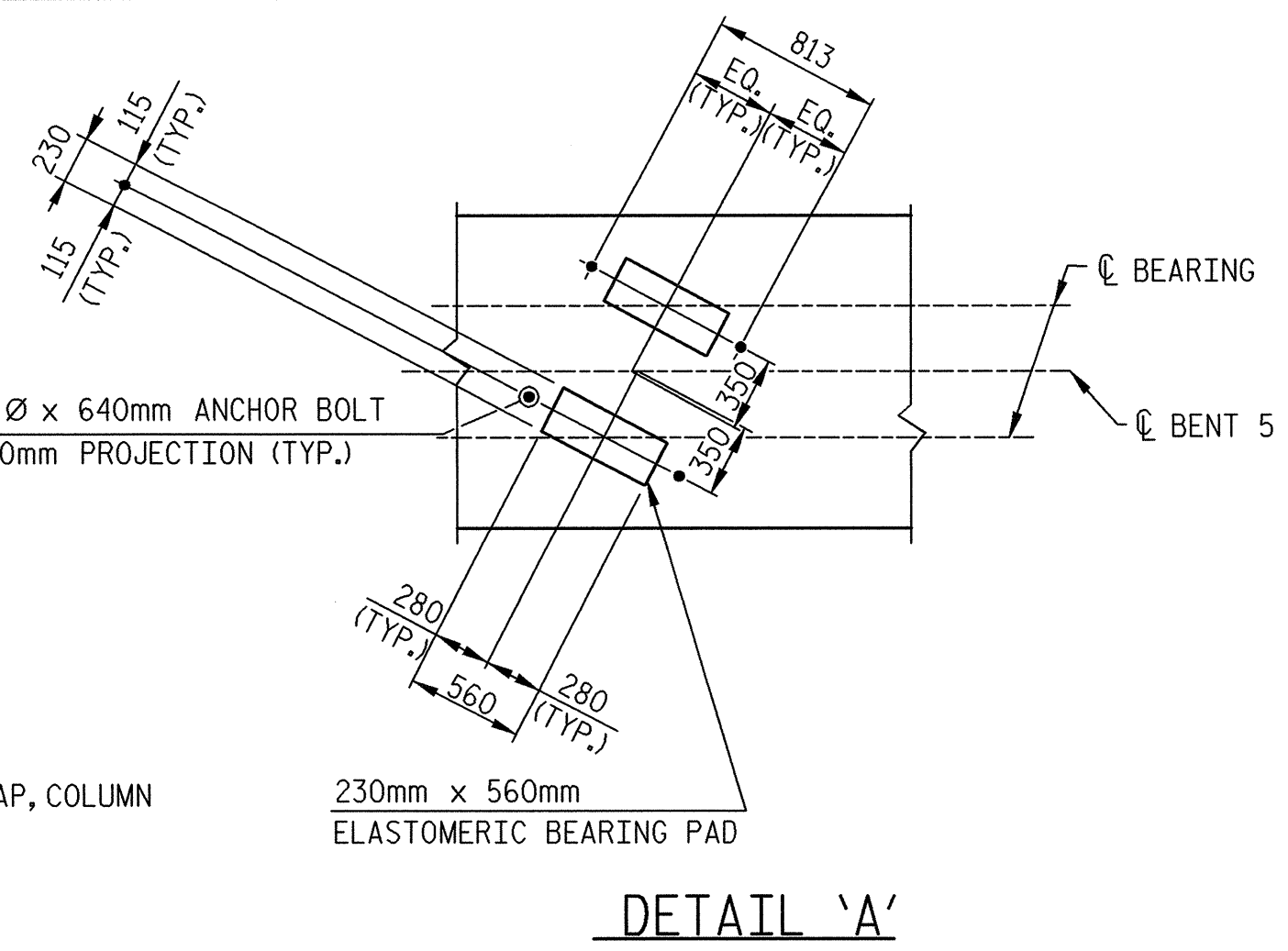


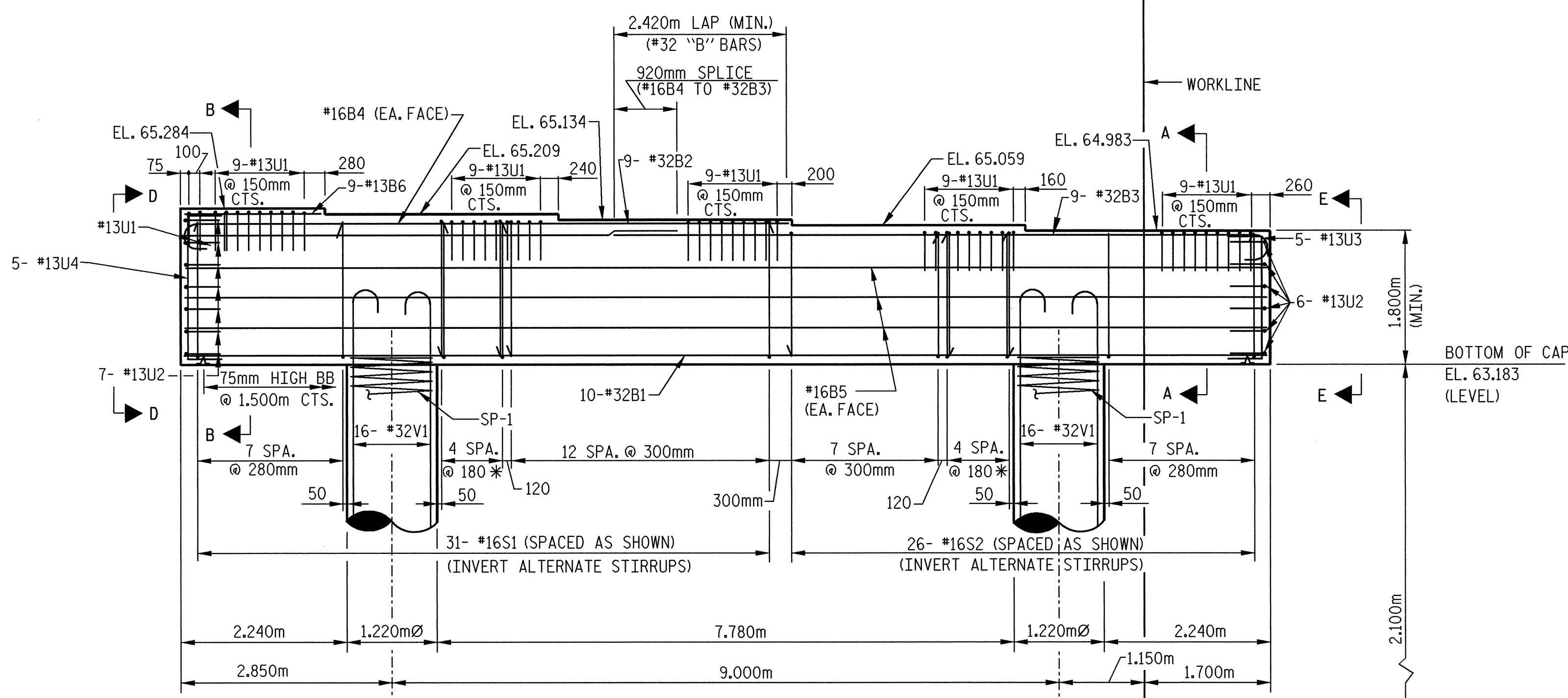
PLAN OF CAP



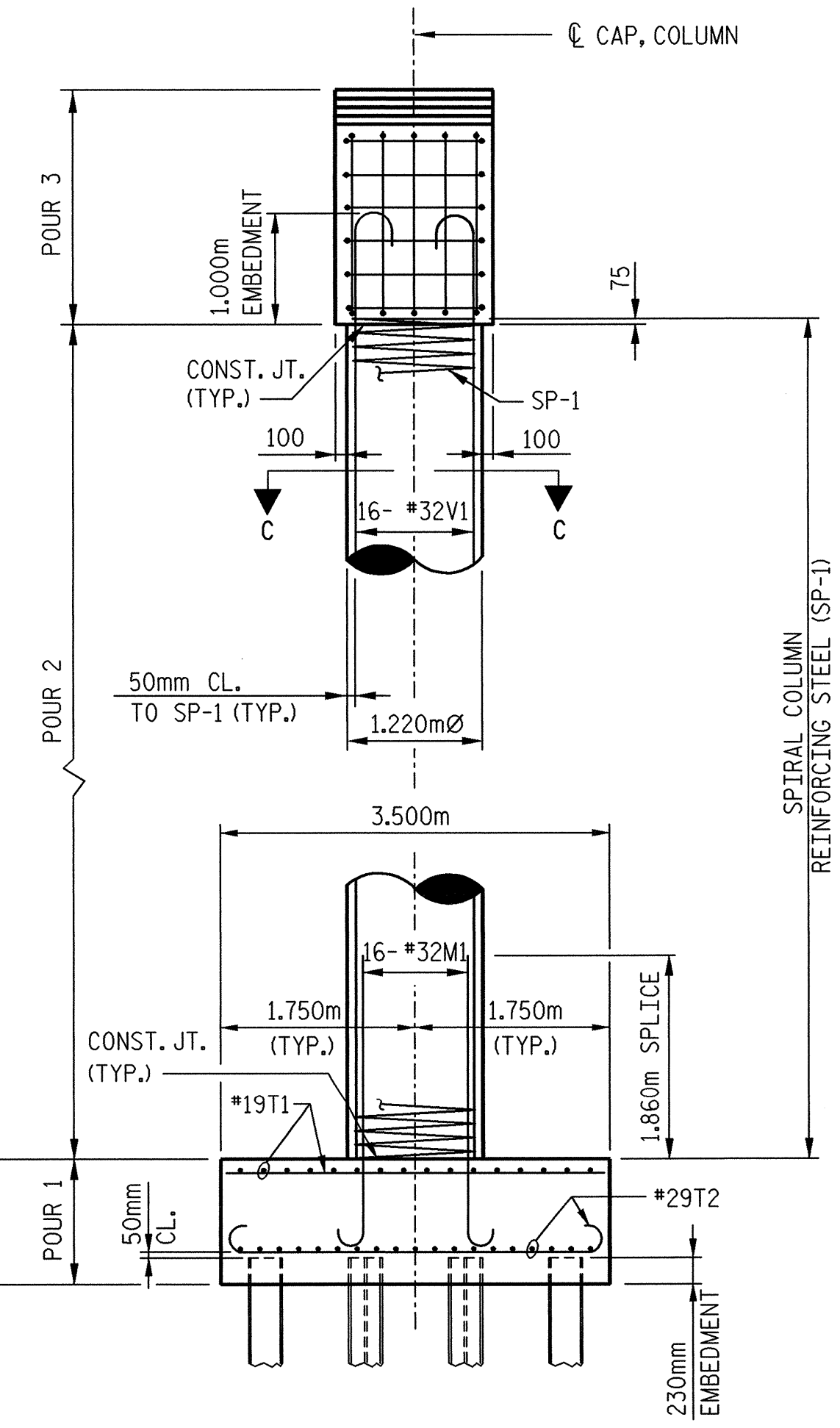
DETAIL 'A'

NOTES:

HOOKS ON "V" BARS MAY BE TURNED AS NECESSARY FOR PLACING REINFORCING STEEL.
STIRRUPS AND "U" BARS IN CAP MAY BE SHIFTED SLIGHTLY AS NECESSARY TO CLEAR ANCHOR BOLTS.

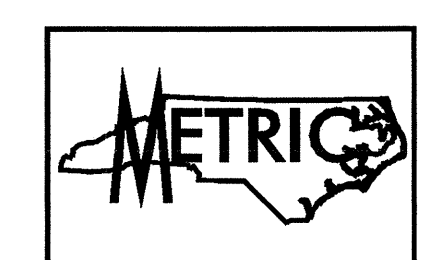


ELEVATION



END ELEVATION

* BUNDLED PAIRS OF #16 STIRRUPS



PROJECT NO. R-2552AB
JOHNSTON COUNTY
STATION: 40+80.00 -L- P.O.C.
SHEET 1 OF 2

TRANSYSTEMS CORPORATION
75 Beattie Place, Suite 400
Greenville, SC 29601 (864) 234-0866

STATE OF NORTH CAROLINA
DEPARTMENT OF TRANSPORTATION
RALEIGH

SEAL 16335
ENGINEER
J. C. PENDERGRAFT

STATE OF NORTH CAROLINA DEPARTMENT OF TRANSPORTATION RALEIGH					
SUBSTRUCTURE BENT #5 PLAN AND ELEVATION (LEFT LANE)					
REVISIONS					
NO.	BY:	DATE:	NO.	BY:	DATE:
1			3		
2			4		
DWG. NO. 49					TOTAL 68
SHEET NO. S-308					TOTAL SHEETS 429

\$FILE\$
\$DATE\$
\$TIME\$

DRAWN BY: J. C. PENDERGRAFT DATE: 7/01
CHECKED BY: D. B. HOFF DATE: 2/02