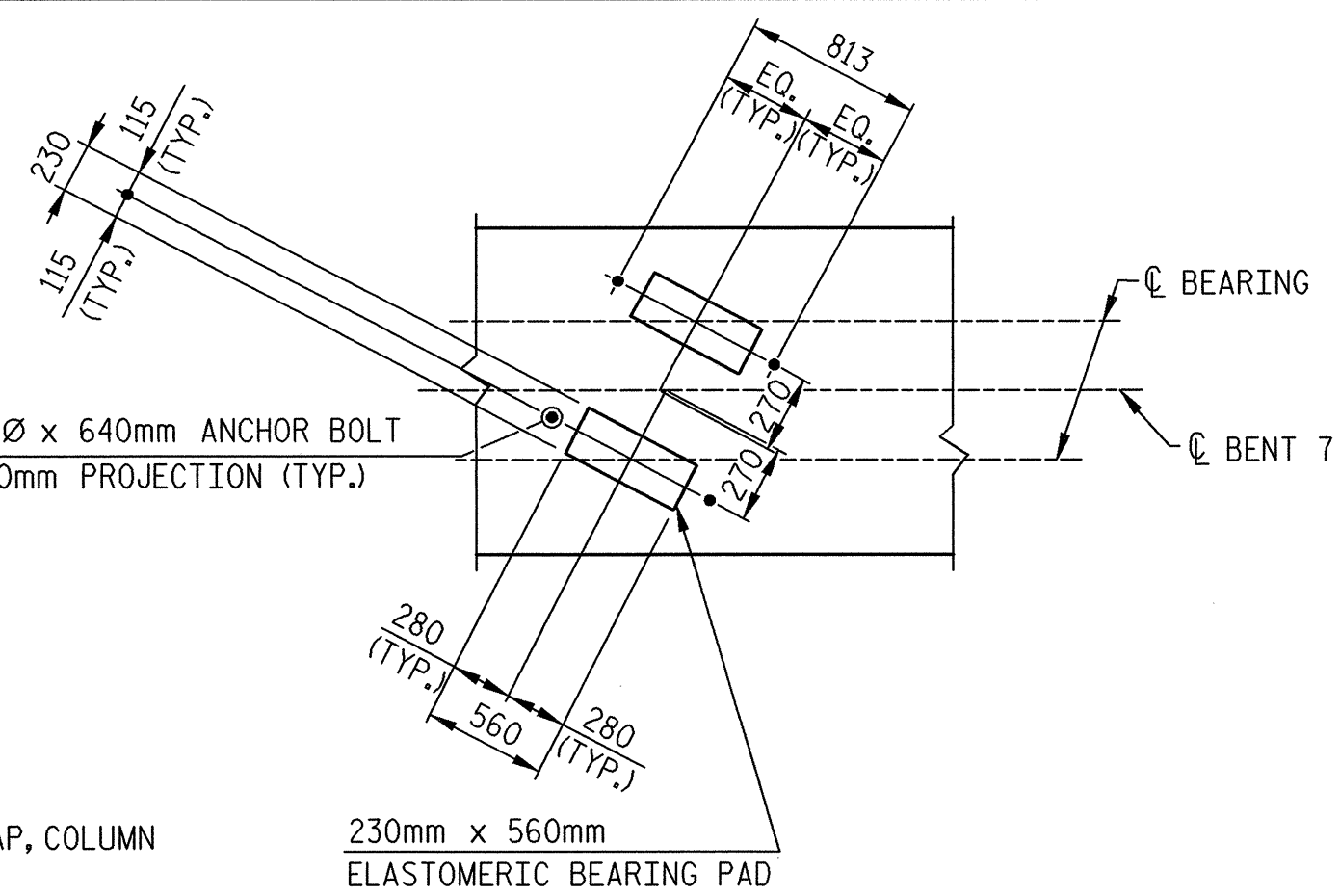


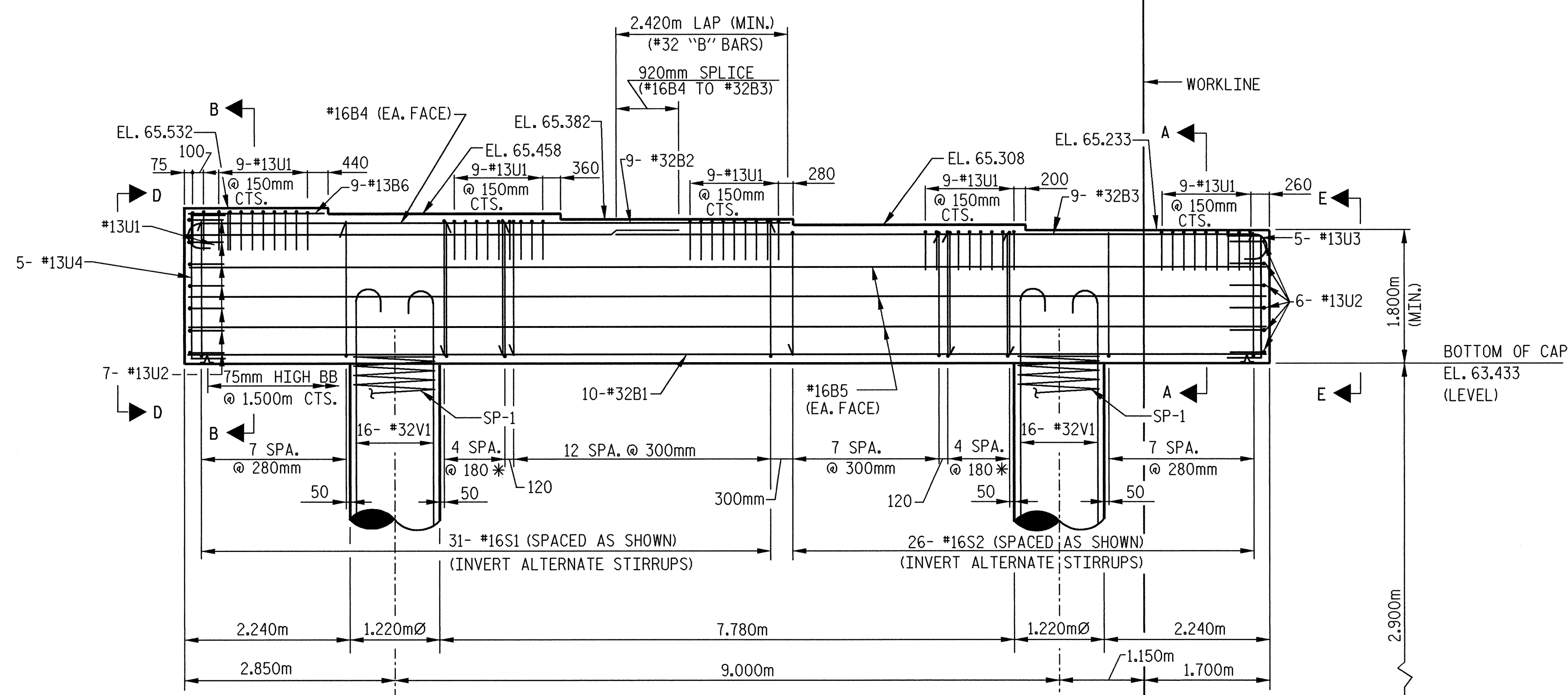
PLAN OF CAP



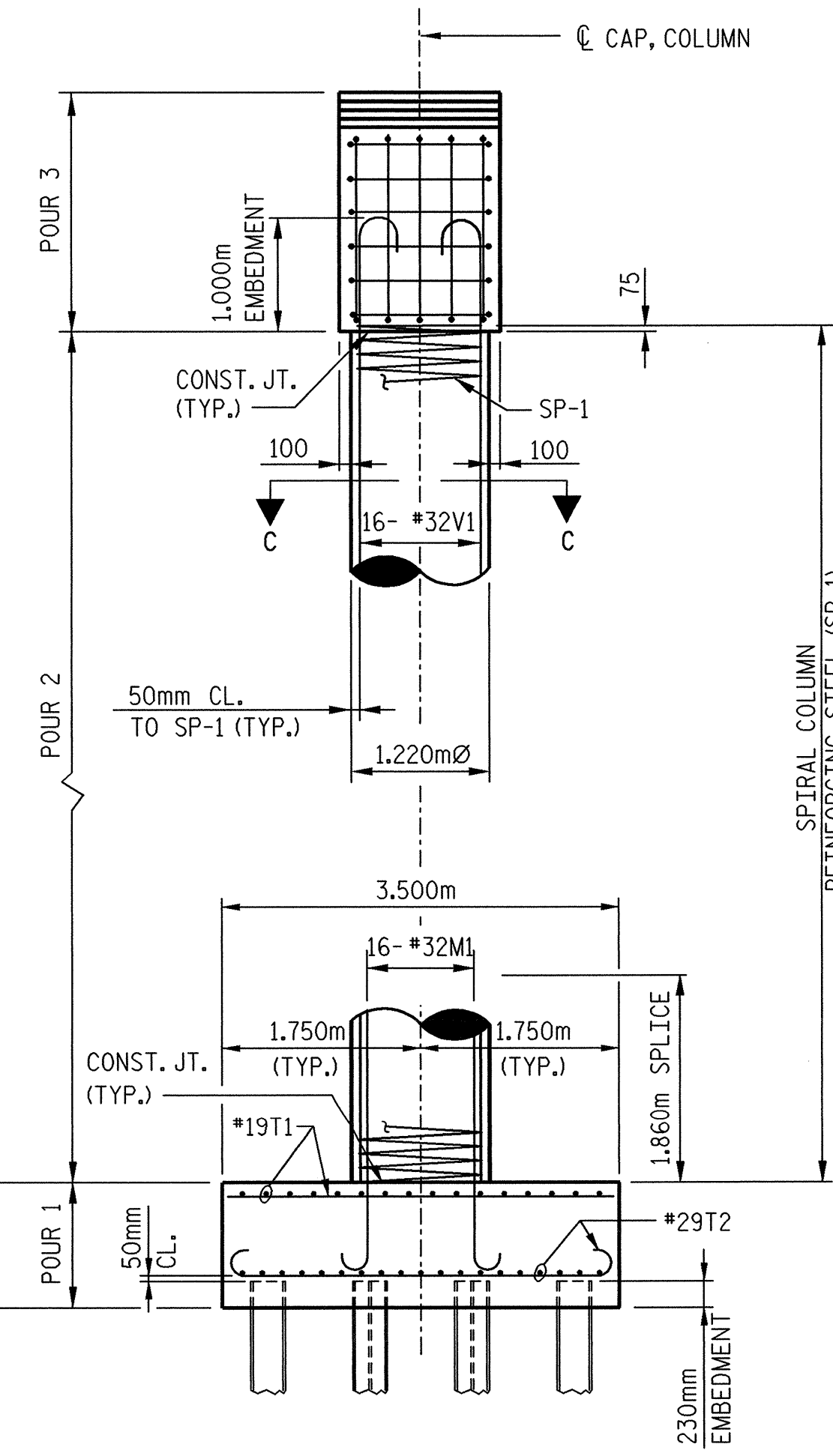
DETAIL 'A'

NOTES:

HOOKS ON "V" BARS MAY BE TURNED AS NECESSARY FOR PLACING REINFORCING STEEL.
 STIRRUPS AND "U" BARS IN CAP MAY BE SHIFTED SLIGHTLY AS NECESSARY TO CLEAR ANCHOR BOLTS.
 FOR EPOXY PROTECTIVE COATING, SEE SPECIAL PROVISIONS.



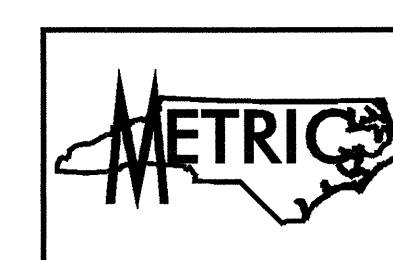
ELEVATION



END ELEVATION

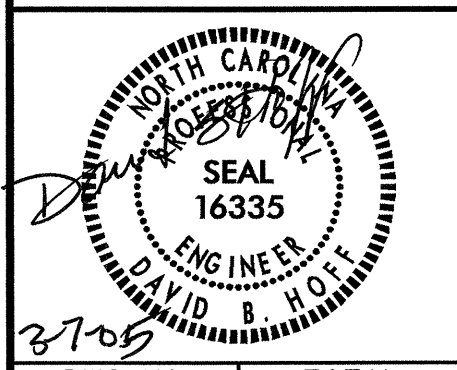
* BUNDLED PAIRS OF #16 STIRRUPS

DRAWN BY: J. C. PENDERGRAFT DATE: 7/01
 CHECKED BY: D. B. HOFF DATE: 2/02



PROJECT NO. R-2552AB
 JOHNSTON COUNTY
 STATION: 40+80.00 -L- P.O.C.
 SHEET 1 OF 2

TRANSYSTEMS CORPORATION
 75 Battie Place, Suite 400
 Greenville, SC 29601 (864) 234-0866



STATE OF NORTH CAROLINA
 DEPARTMENT OF TRANSPORTATION
 RALEIGH
 SUBSTRUCTURE
 BENT #7
 PLAN AND ELEVATION
 (LEFT LANE)

REVISIONS						SHEET NO.
NO.	BY:	DATE:	NO.	BY:	DATE:	
1			3			5-312
2			4			TOTAL SHEETS 429

FILE \$
 DATE \$
 TIME \$