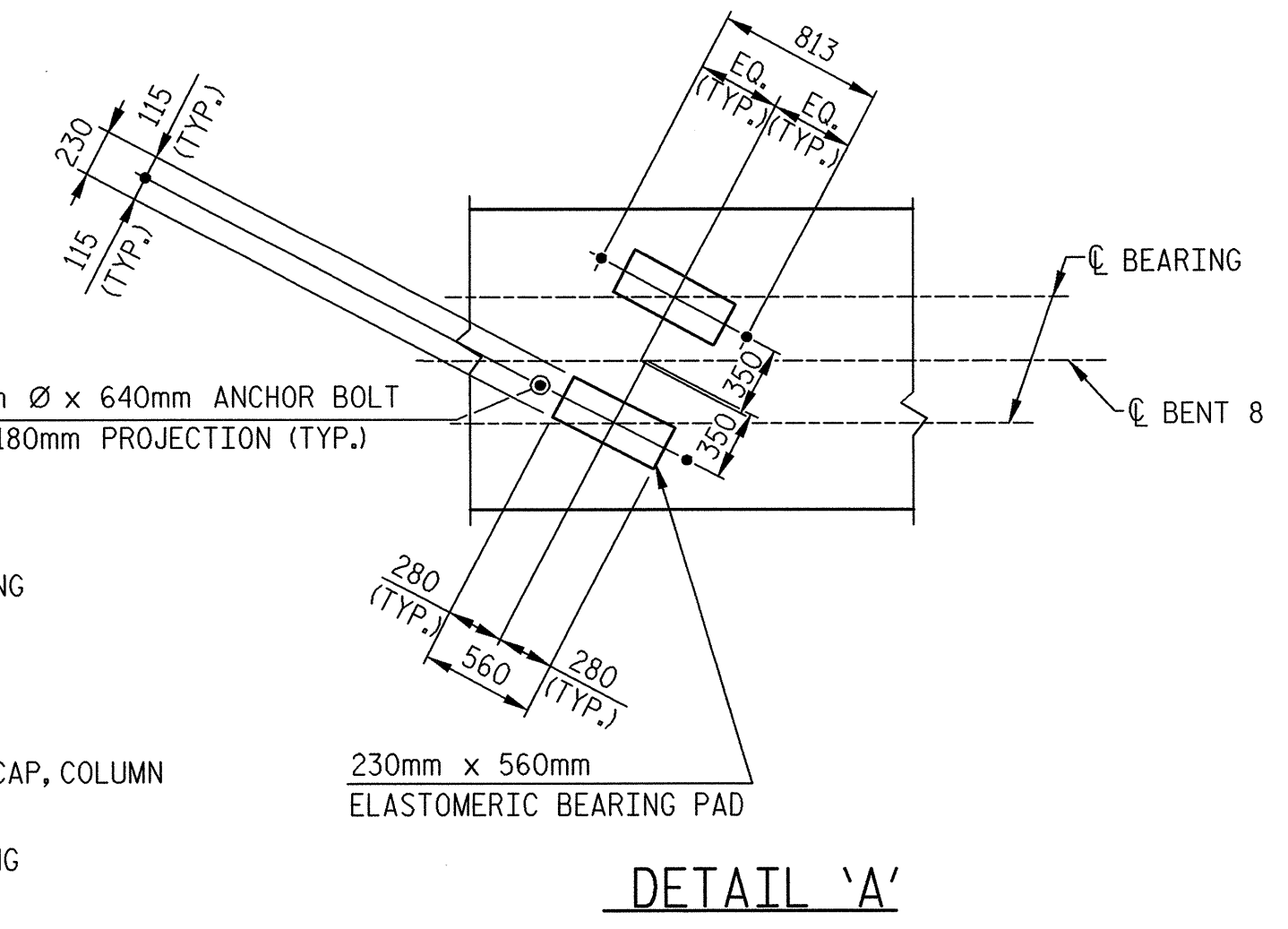


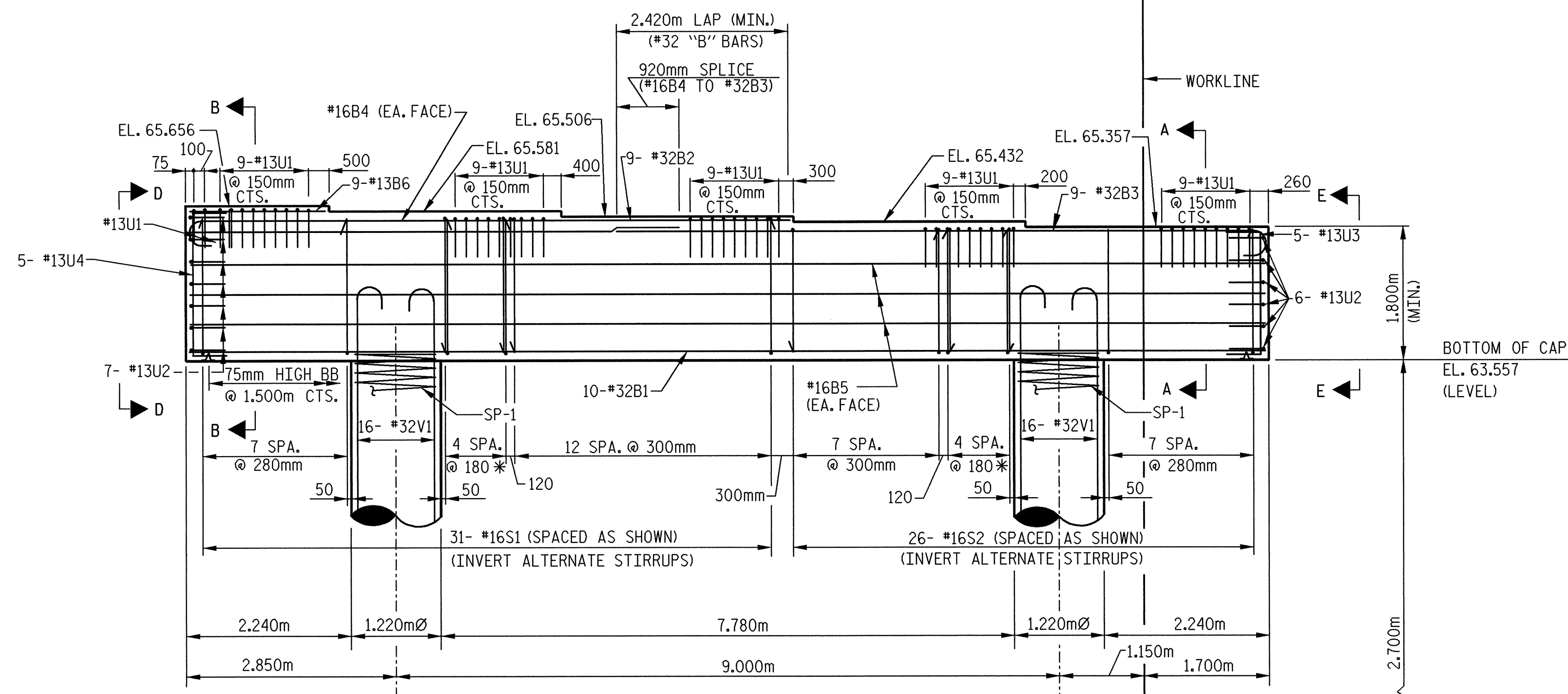
PLAN OF CAP



DETAIL 'A'

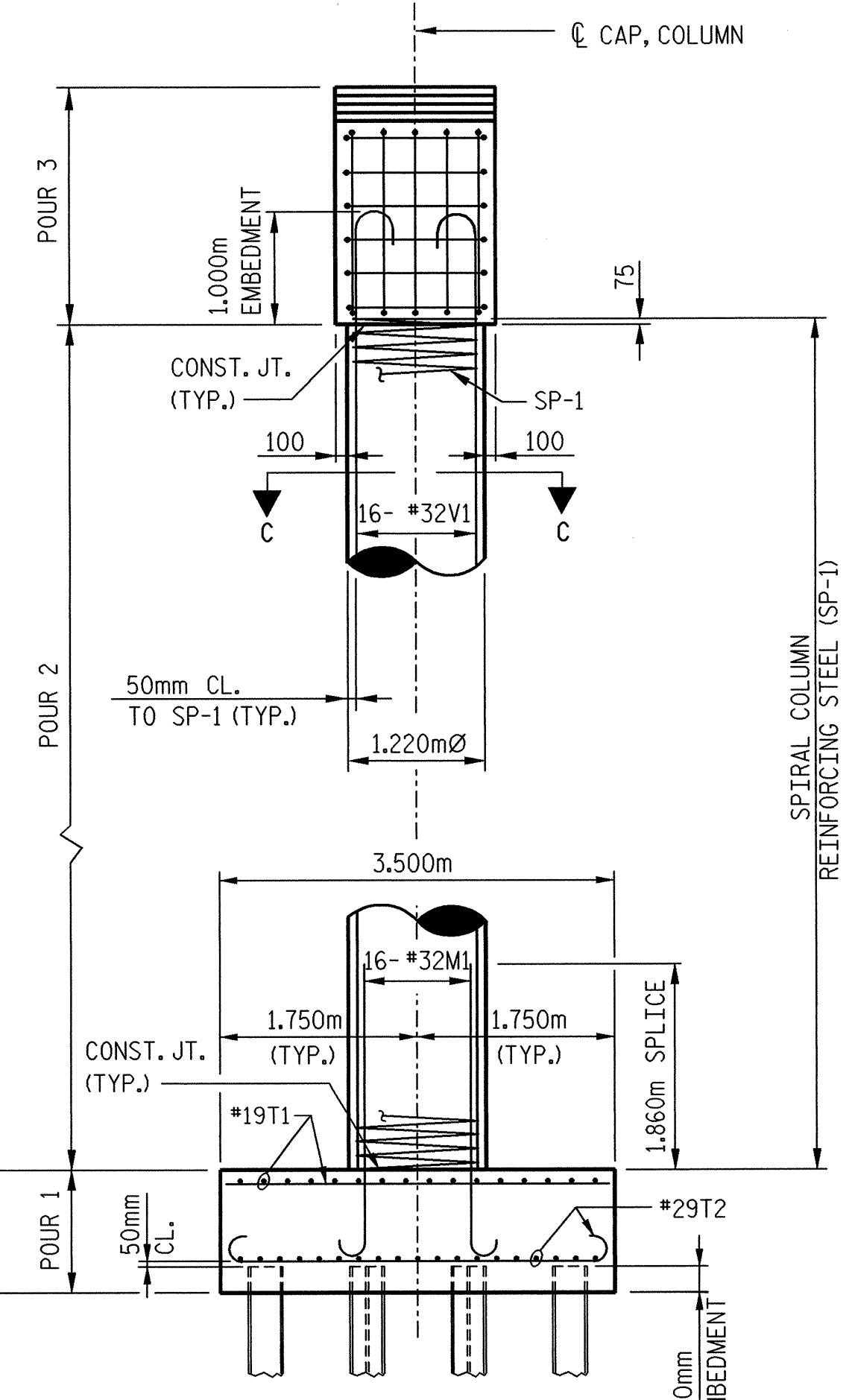
NOTES:

HOOKS ON "V" BARS MAY BE TURNED AS NECESSARY FOR PLACING REINFORCING STEEL.
STIRRUPS AND "U" BARS IN CAP MAY BE SHIFTED SLIGHTLY AS NECESSARY TO CLEAR ANCHOR BOLTS.

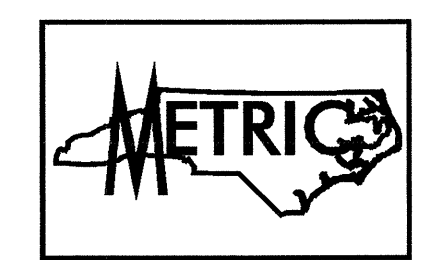


ELEVATION

*BUNDLED PAIRS OF #16 STIRRUPS



END ELEVATION



PROJECT NO. R-2552AB
JOHNSTON COUNTY
STATION: 40+80.00 -L- P.O.C.
SHEET 1 OF 2

TRANSYSTEMS CORPORATION
75 Beattie Place, Suite 400
Greenville, SC 29601 (864) 234-0866

STATE OF NORTH CAROLINA
DEPARTMENT OF TRANSPORTATION
RALEIGH

SEAL 16335
ENGINEER
DAVID B. HOFF

STATE OF NORTH CAROLINA DEPARTMENT OF TRANSPORTATION RALEIGH					
SUBSTRUCTURE BENT #8 PLAN AND ELEVATION (LEFT LANE)					
REVISIONS					
NO.	BY:	DATE:	NO.	BY:	DATE:
1			3		
2			4		
SHEET NO.					5-314
TOTAL SHEETS					429

\$FILES
\$DATE\$
\$TIME\$

DRAWN BY : J. C. PENDERGRAFT DATE : 7/01
CHECKED BY : D. B. HOFF DATE : 2/02