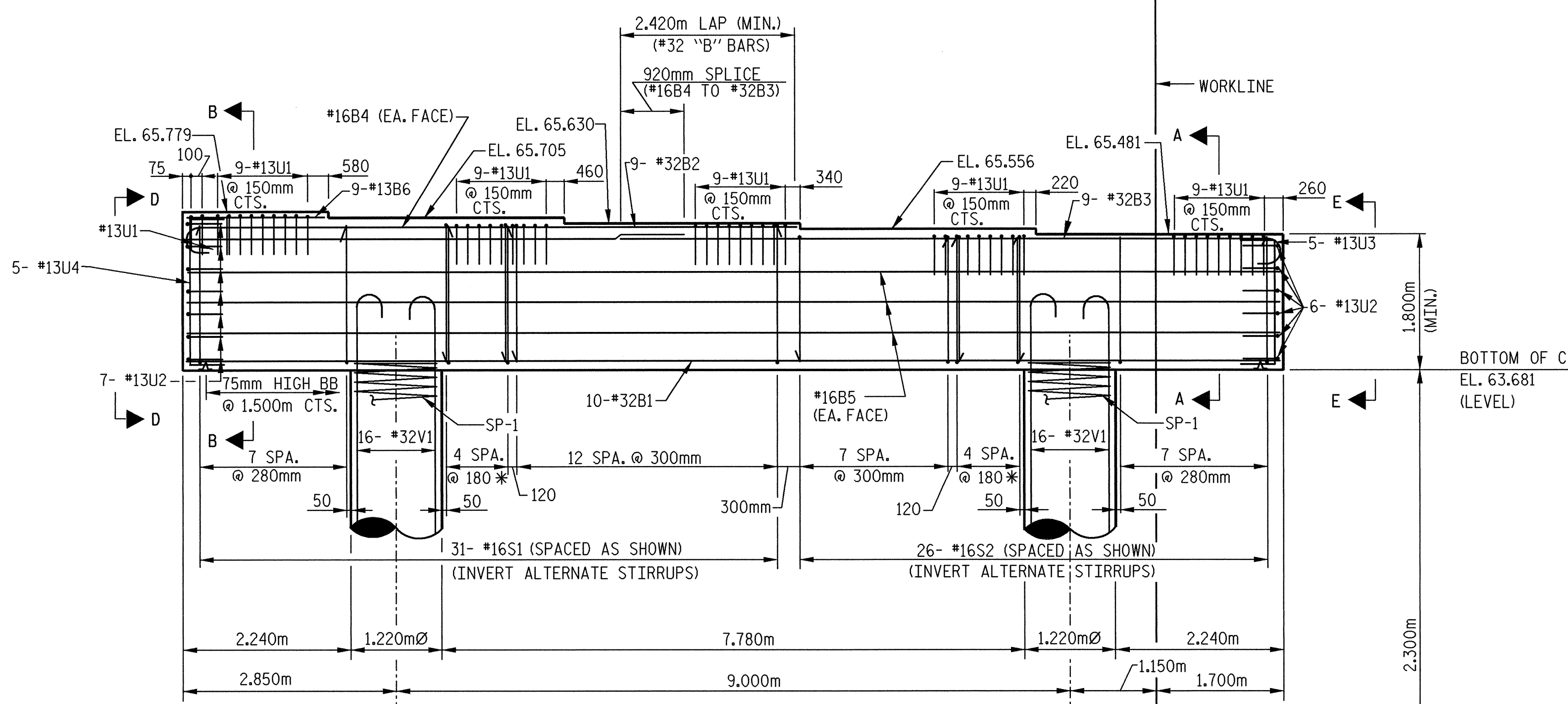
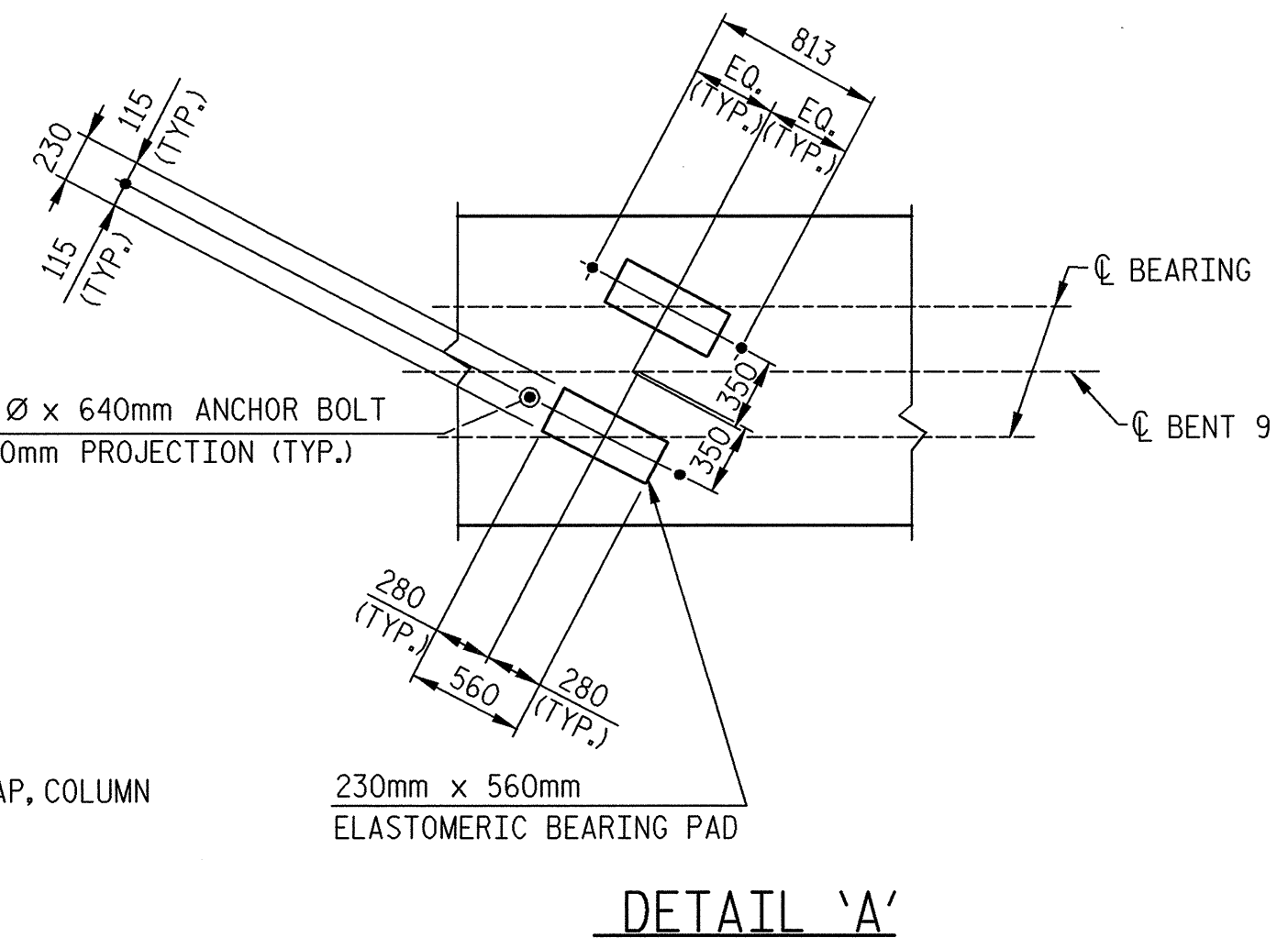


PLAN



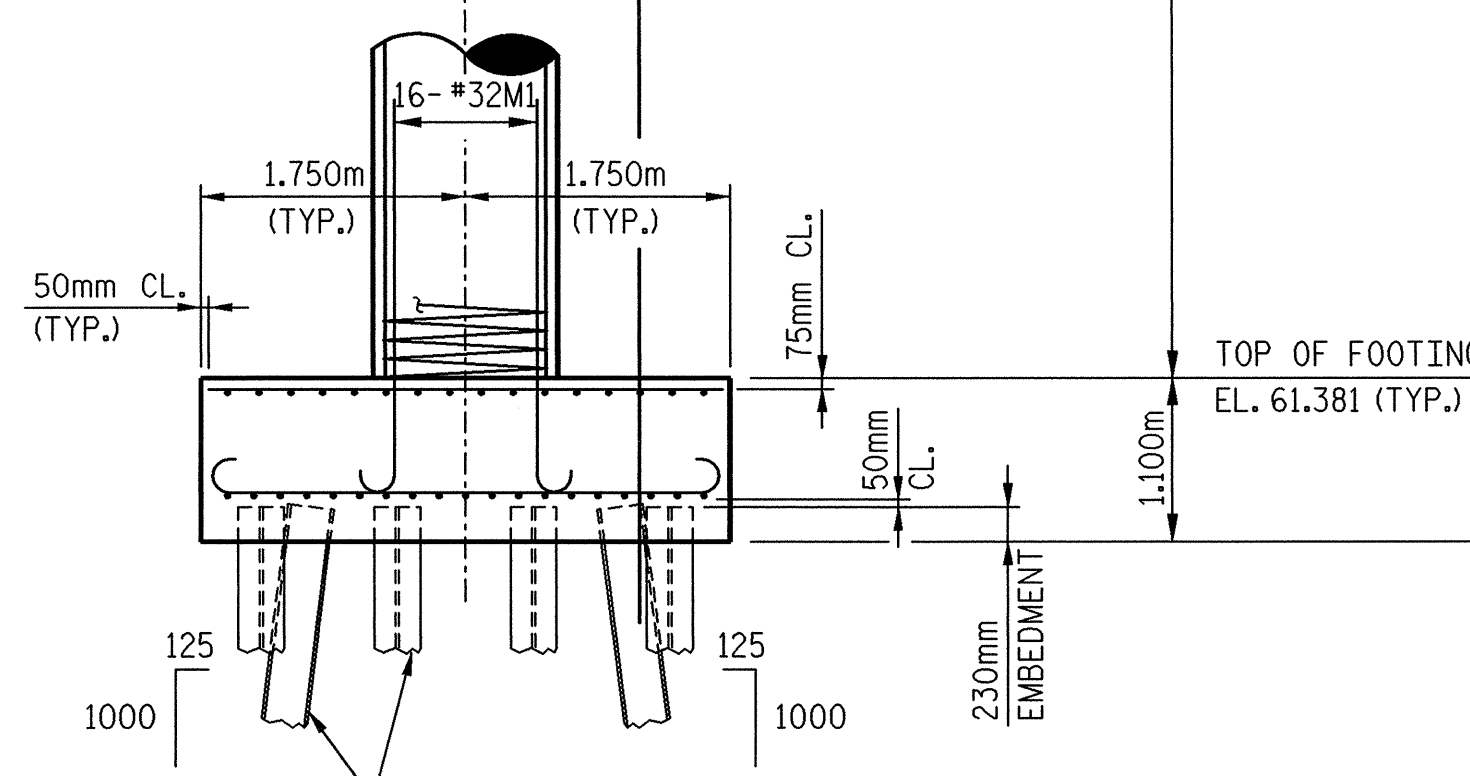
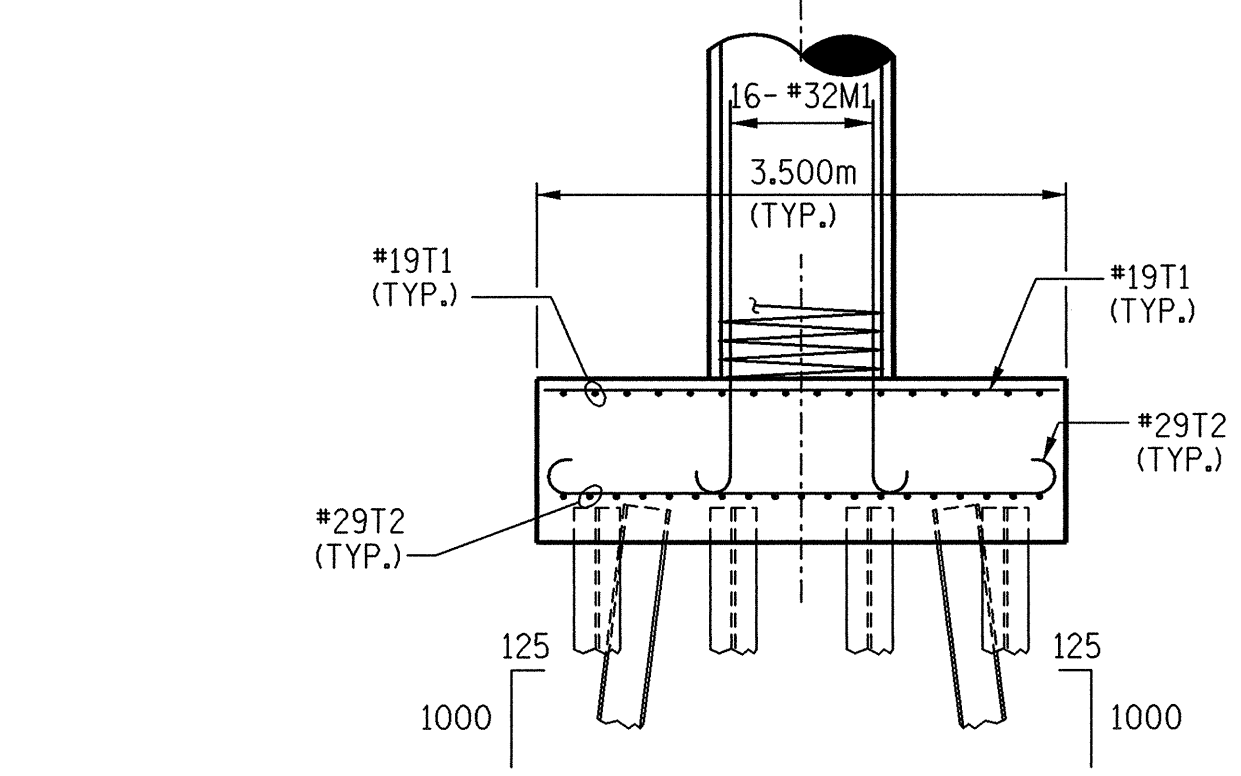
ELEVATION

* BUNDLED PAIRS OF #16 STIRRUPS

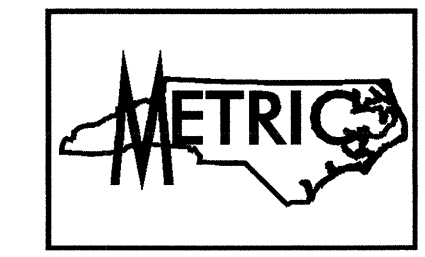
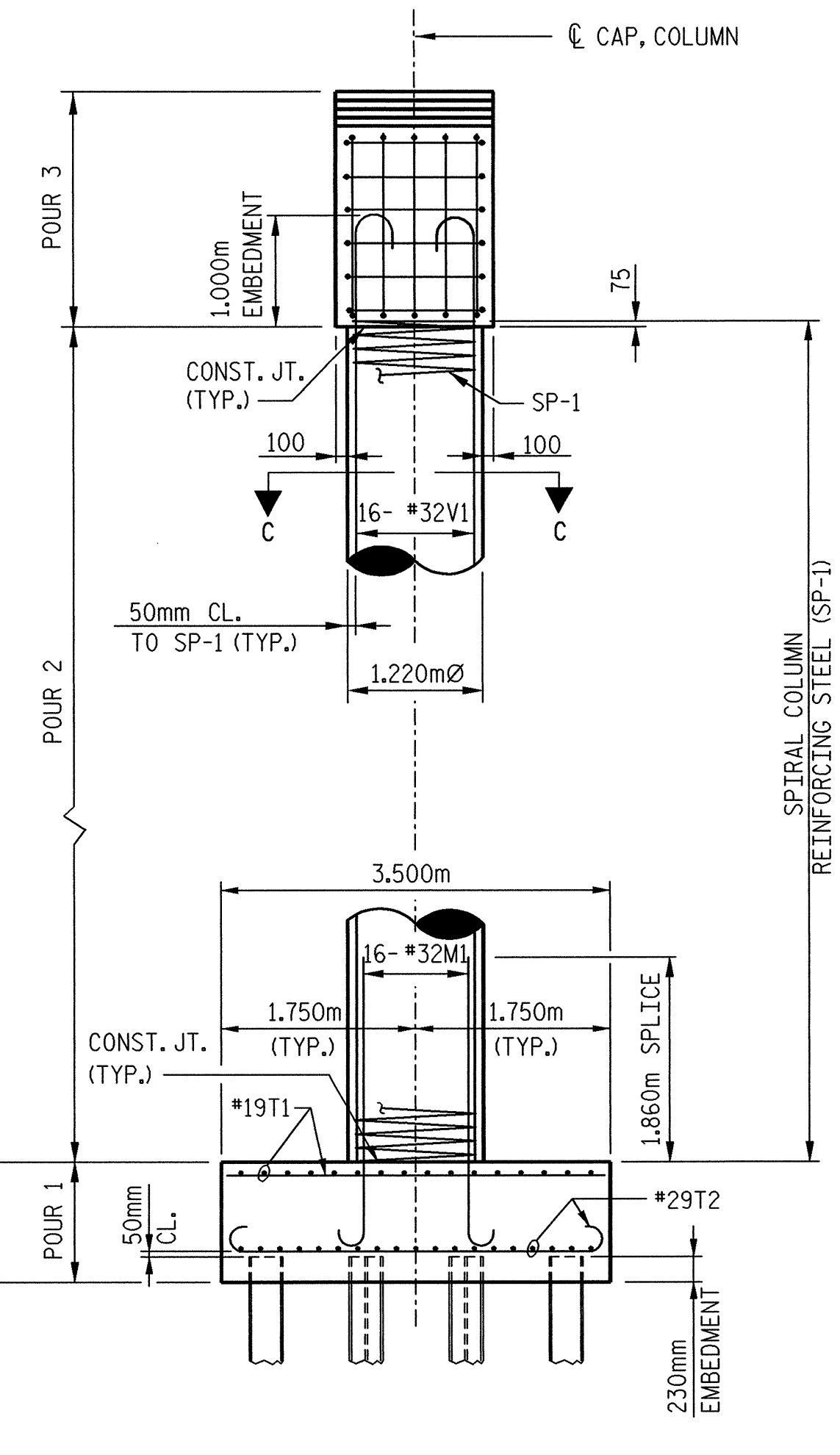


NOTES:

HOOKS ON "V" BARS MAY BE TURNED AS NECESSARY FOR PLACING REINFORCING STEEL.
STIRRUPS AND "U" BARS IN CAP MAY BE SHIFTED SLIGHTLY AS NECESSARY TO CLEAR ANCHOR BOLTS.

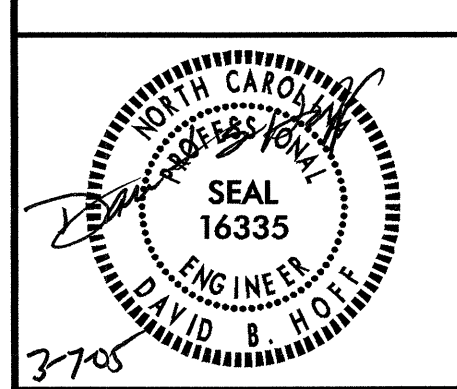


END ELEVATION



PROJECT NO. R-2552AB
JOHNSTON COUNTY
STATION: 40+80.00 -L- P.O.C.
SHEET 1 OF 2

TRANSYSTEMS CORPORATION
75 Beattie Place, Suite 400
Greenville, SC 29601 (864) 234-0866



STATE OF NORTH CAROLINA
DEPARTMENT OF TRANSPORTATION
RALEIGH
SUBSTRUCTURE
BENT #9
PLAN AND ELEVATION
(LEFT LANE)

REVISIONS						SHEET NO.
NO.	BY:	DATE:	NO.	BY:	DATE:	5-316
1			3			TOTAL SHEETS
2			4			429

DWG. NO.	TOTAL
57	68

FILED \$
DATE \$
TIME \$

DRAWN BY: J. C. PENDERGRAFT DATE: 7/01
CHECKED BY: D. B. HOFF DATE: 2/02