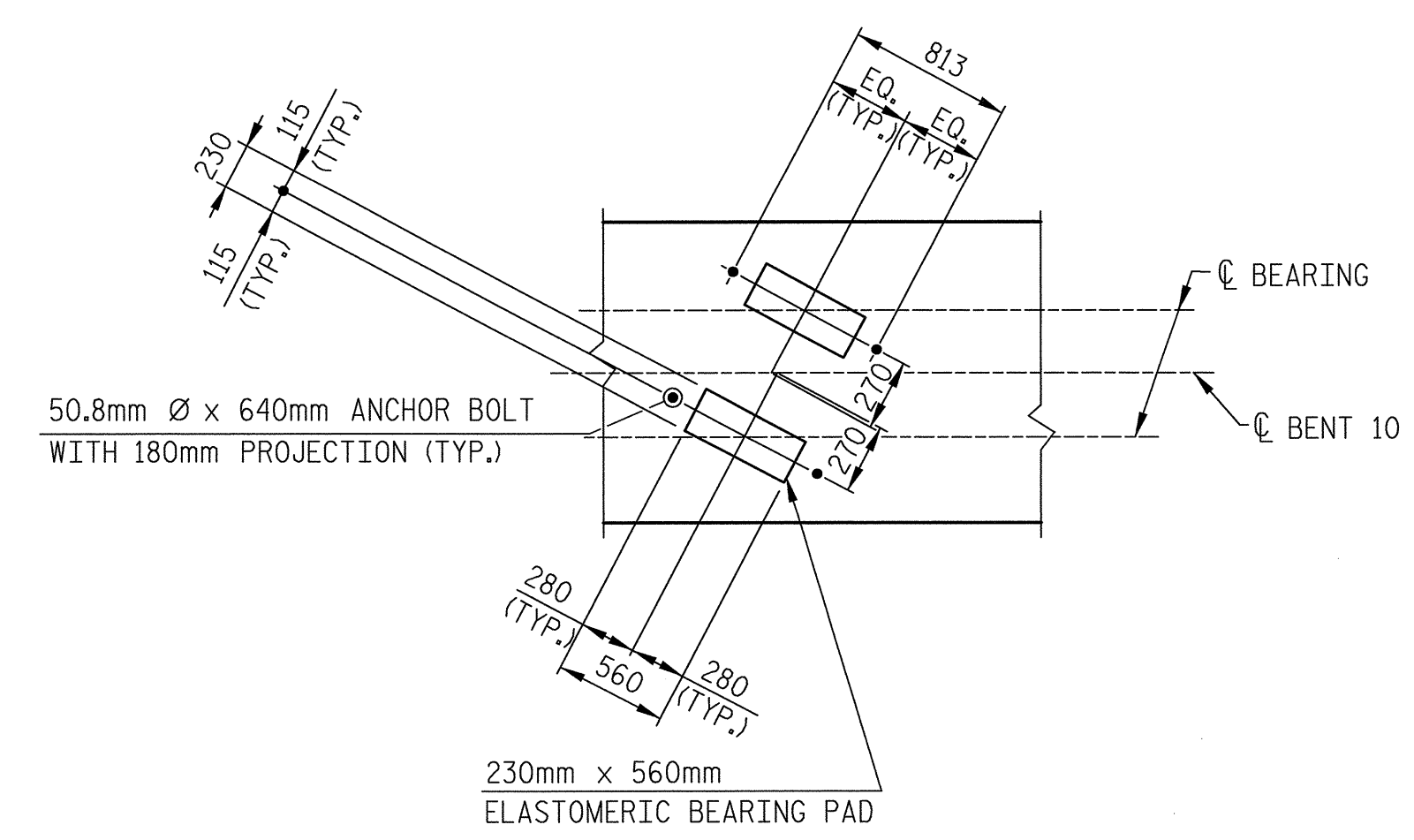
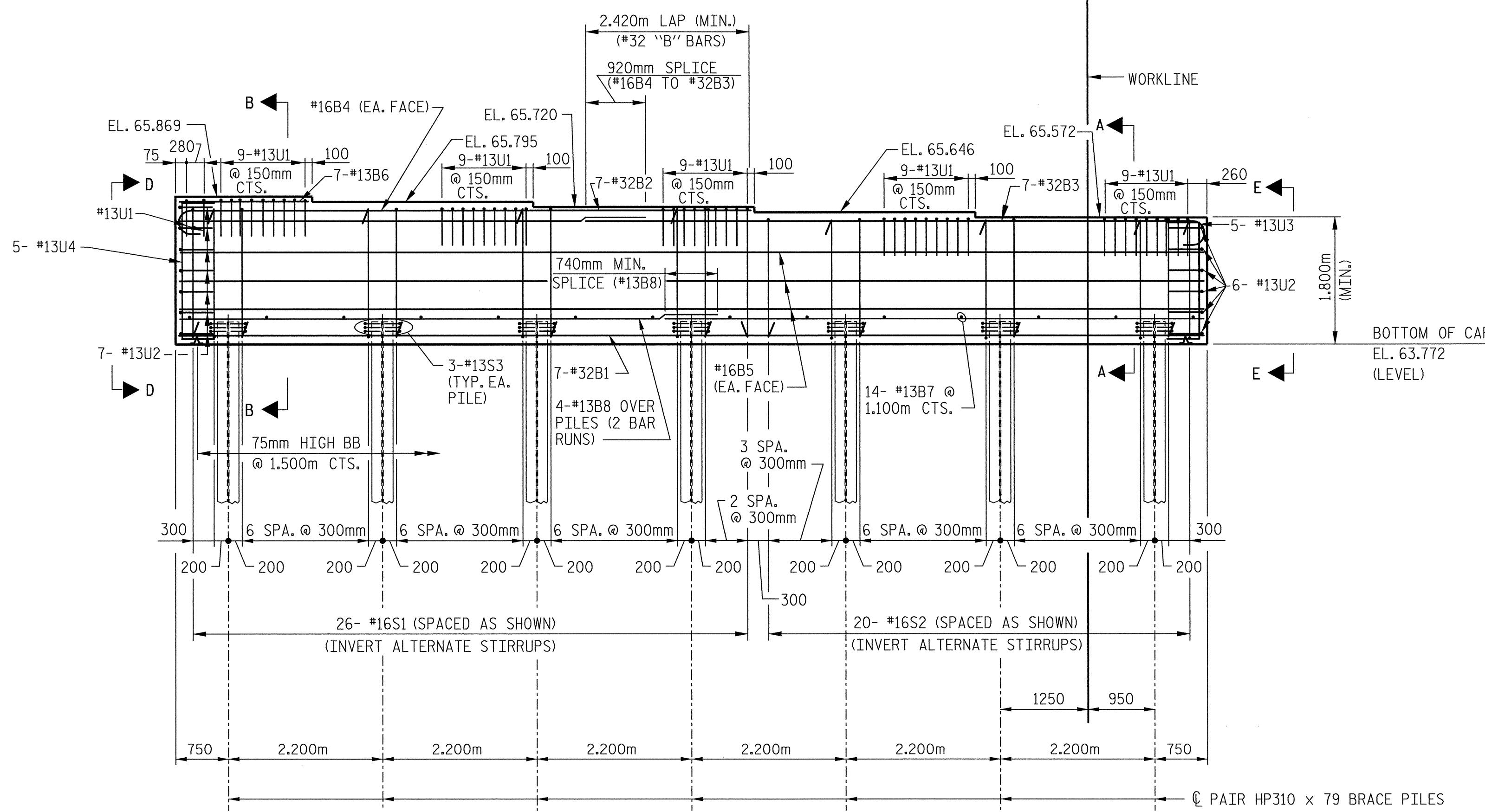


PLAN OF CAP

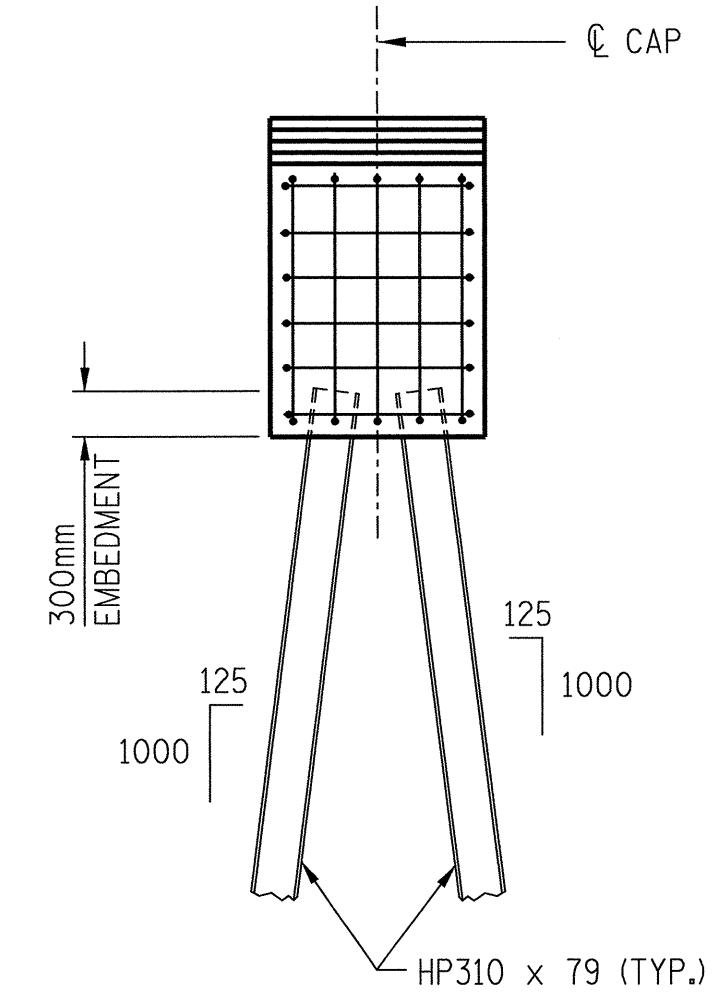
NOTES:
 STIRRUPS AND "U" BARS IN CAP MAY BE SHIFTED SLIGHTLY AS NECESSARY TO CLEAR ANCHOR BOLTS.
 FOR PILE SPLICE DETAILS, SEE SHEET 2 OF 2.
 FOR EPOXY PROTECTIVE COATING, SEE SPECIAL PROVISIONS.



DETAIL 'A'

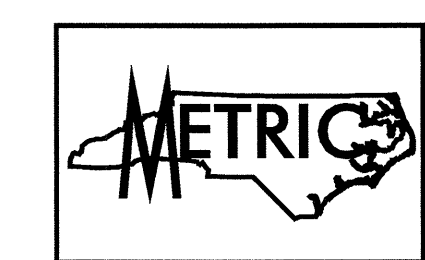


ELEVATION

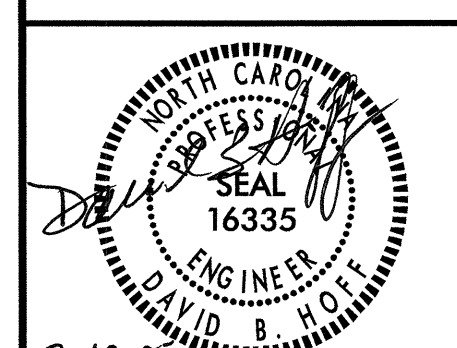


END ELEVATION

PROJECT NO. R-2552AB
JOHNSTON COUNTY
 STATION: 40+80.000 -L- P.O.C.
 SHEET 1 OF 2



TRANSYSTEMS CORPORATION
 75 Beattie Place, Suite 400
 Greenville, SC 29601 (864) 234-0866



STATE OF NORTH CAROLINA
 DEPARTMENT OF TRANSPORTATION
 RALEIGH
 SUBSTRUCTURE
 BENT #10
 PLAN AND ELEVATION
 (LEFT LANE)

REVISIONS						SHEET NO.	
NO.	BY:	DATE:	NO.	BY:	DATE:	5-318	
1			3			TOTAL SHEETS	
2			4			429	

DRAWN BY: J. C. PENDERGRAFT DATE: 7/01
 CHECKED BY: D. B. HOFF DATE: 2/02

9:\GV04\0125\Bridg\Steel\Left (WBL)\F.mal\Bent10(wb1).dgn
 3/17/2005 11:48:29 AM