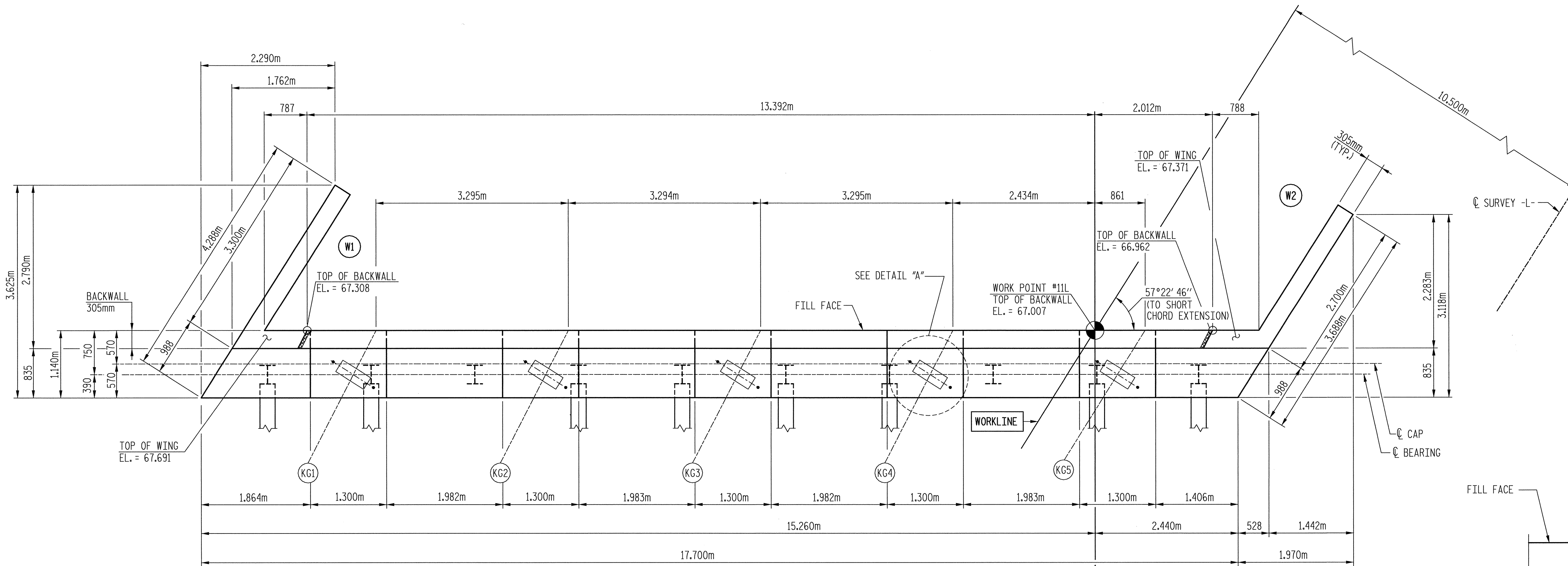
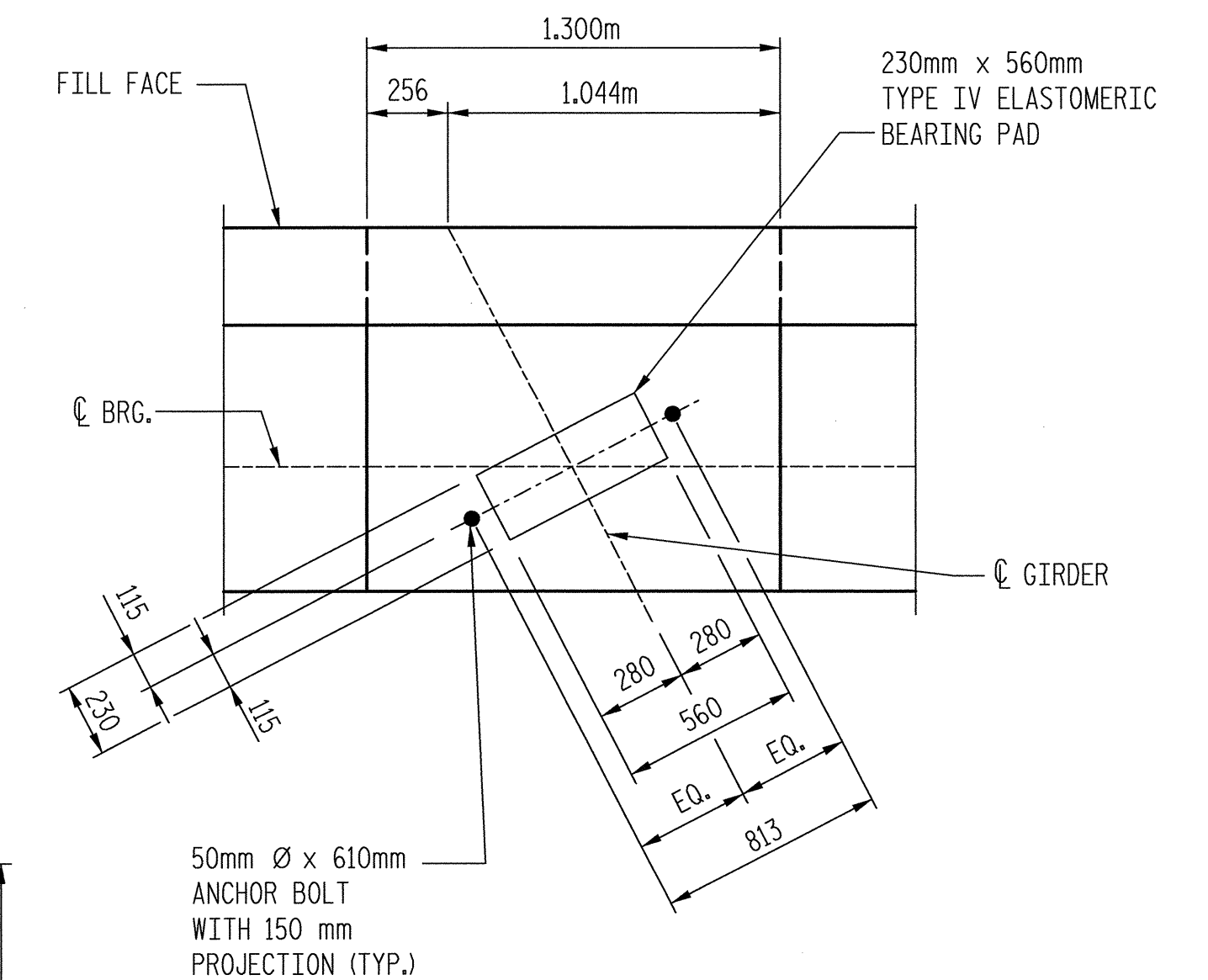


NOTES

1. STIRRUPS AND "U" BARS IN THE CAP MAY BE SHIFTED SLIGHTLY AS NECESSARY TO CLEAR ANCHOR BOLTS.
2. FOR PILE SPLICE DETAILS, SEE SHEET 3 OF 3.
3. FOR EPOXY PROTECTIVE COATING, SEE SPECIAL PROVISIONS.
4. THE CONTRACTOR SHALL PROVIDE FOR INSTALLATION OF THE 102MM DIAMETER DRAIN PIPE THROUGH THE WING WALL AS REQUIRED FOR REINFORCED BRIDGE APPROACH FILLS, SEE THE ROADWAY PLANS REINFORCING STEEL IN THE WING WALL MAY BE SHIFTED AS NECESSARY TO CLEAR THE DRAIN PIPE.
5. BACKWALL SHALL BE PLACED BEFORE APPLYING THE EPOXY PROTECTIVE COATING.
6. THE TOP SURFACE AREAS OF THE END BENT CAP SHALL BE CURED IN ACCORDANCE WITH THE STANDARD SPECIFICATIONS EXCEPT THAT THE MEMBRANE CURING COMPOUND METHOD SHALL NOT BE USED.
7. THE TOP SURFACE OF THE END BENT CAP EXCEPT THE BRIDGE SEAT BUILDUPS SHALL BE SLOPED TRANSVERSLY FROM THE FILL FACE TO THE BACK FACE AT A RATE OF 2%.

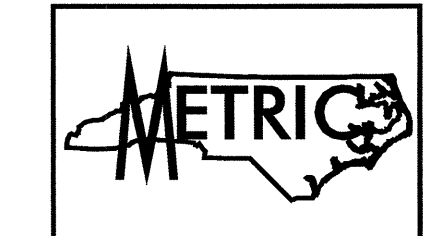


PLAN

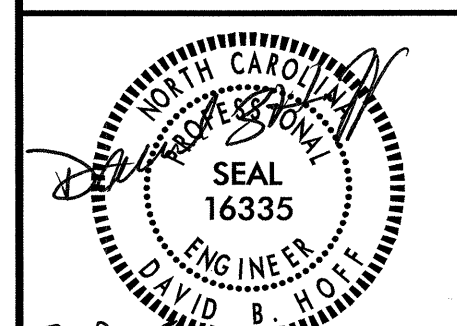


DETAIL "A"
(TYP. EACH GDR.)

PROJECT NO. R-2552AB
 JOHNSTON COUNTY
 STATION: 40+80.000 -L- P.O.C.
 SHEET 1 OF 3

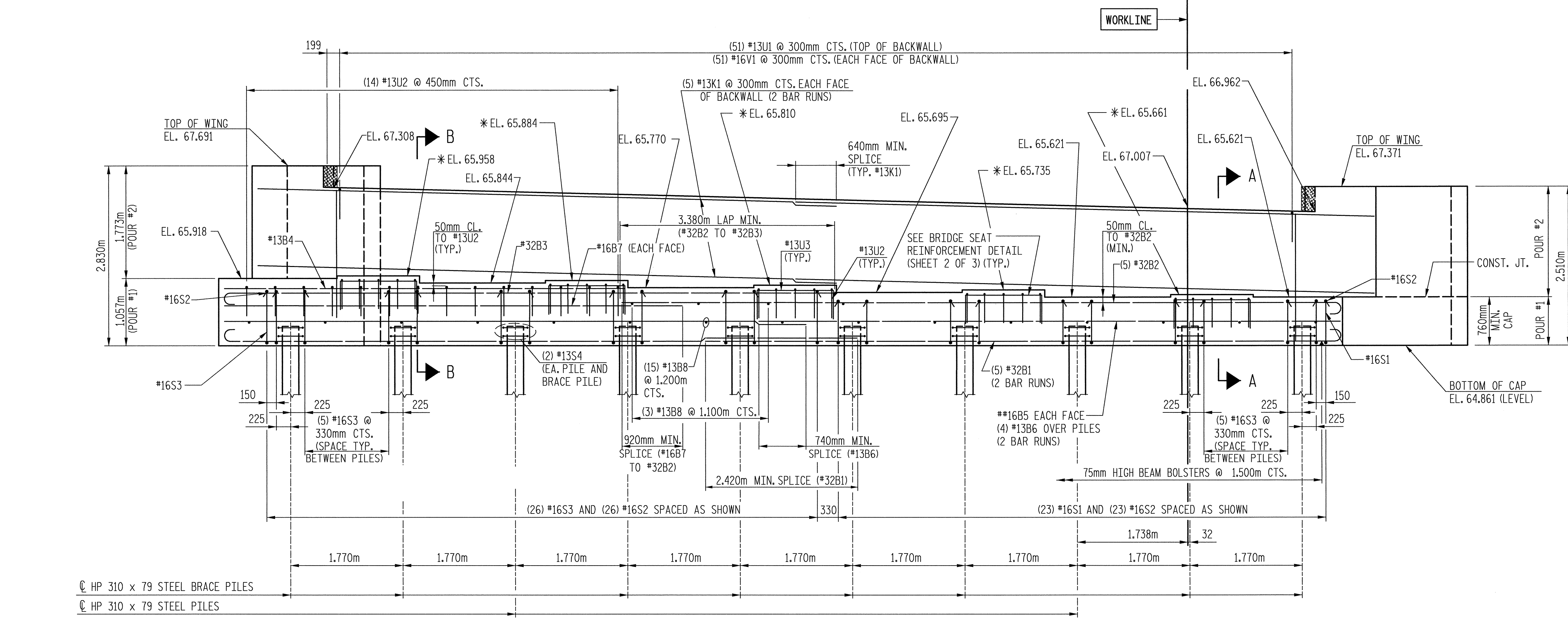


TRANSYSTEMS CORPORATION
 75 Beattie Place, Suite 400
 Greenville, SC 29601 (864) 234-0866



STATE OF NORTH CAROLINA
 DEPARTMENT OF TRANSPORTATION
 RALEIGH
 SUBSTRUCTURE
 END BENT #2
 PLAN AND ELEVATION
 (LEFT LANE)

REVISIONS						SHEET NO.	
NO.	BY:	DATE:	NO.	BY:	DATE:	TOTAL SHEETS	
1			3			5	320
2			4			68	429



ELEVATION

DRAWN BY: M.L. MARLEY DATE: 1/02
 CHECKED BY: D.B. HOFF DATE: 3/02

g:\004\0125\Brdge\Stue\Left (WBLUN\Final\Endben2(wb).dgn
 3/17/2005
 11:48:33 AM