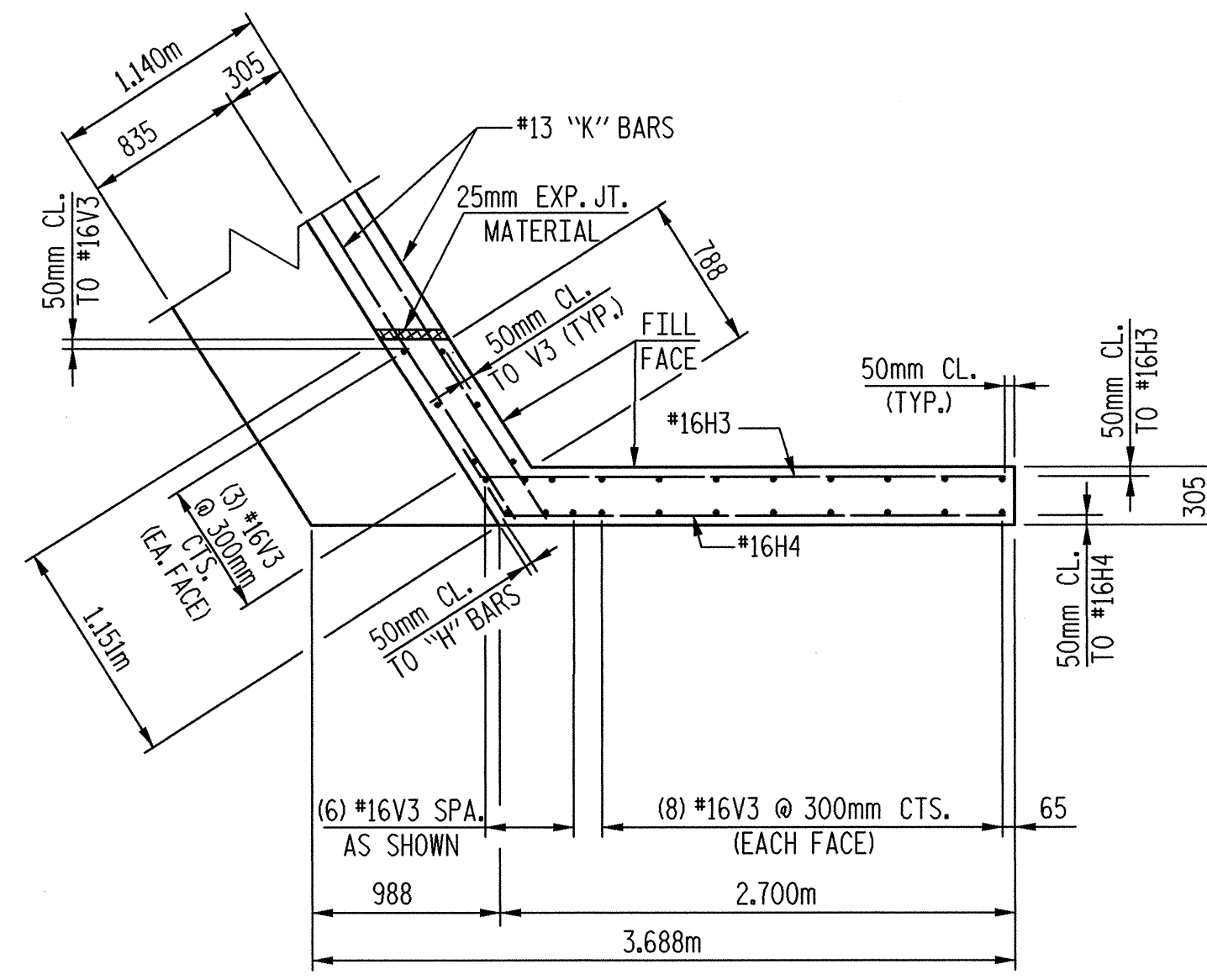
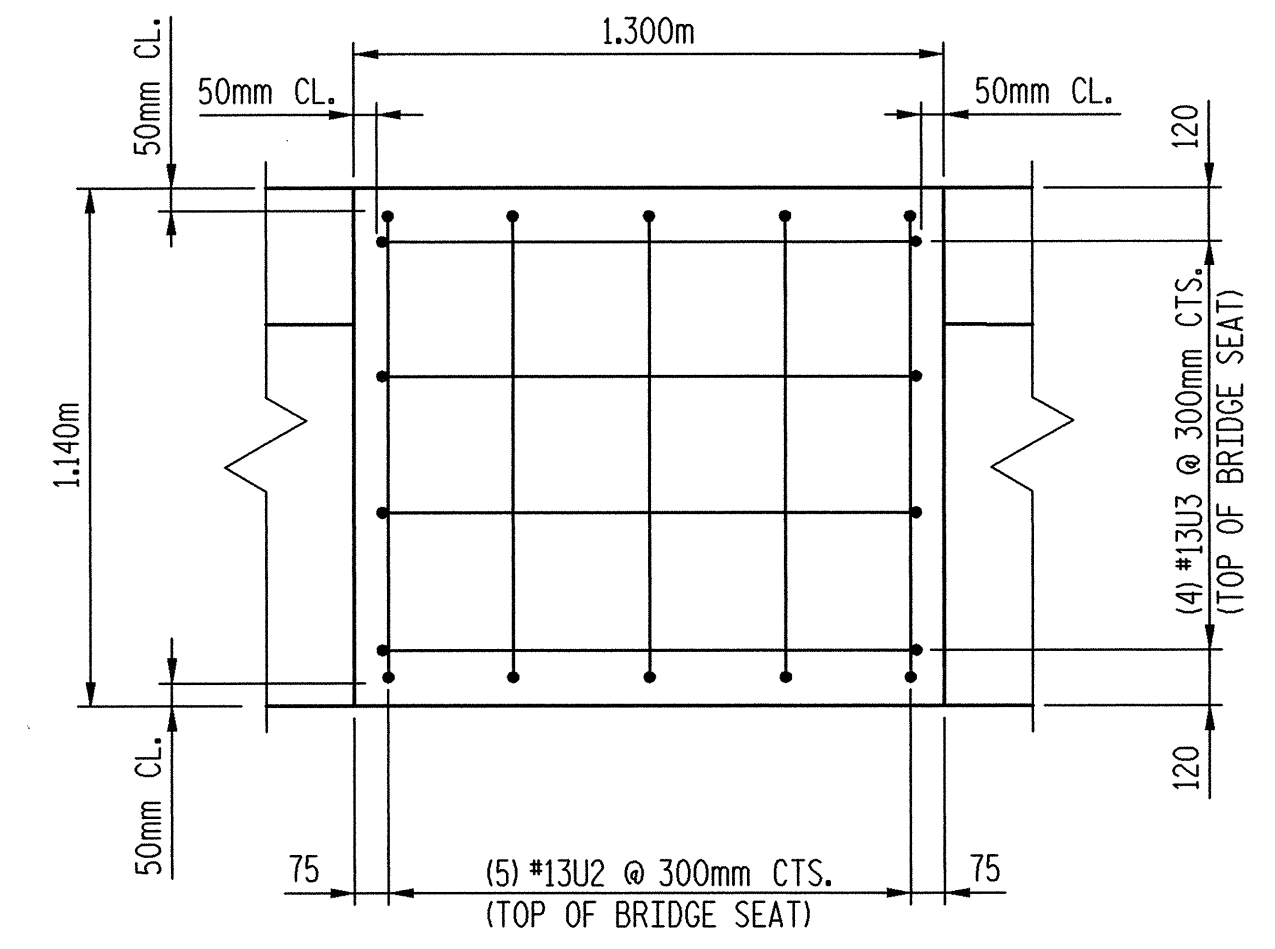


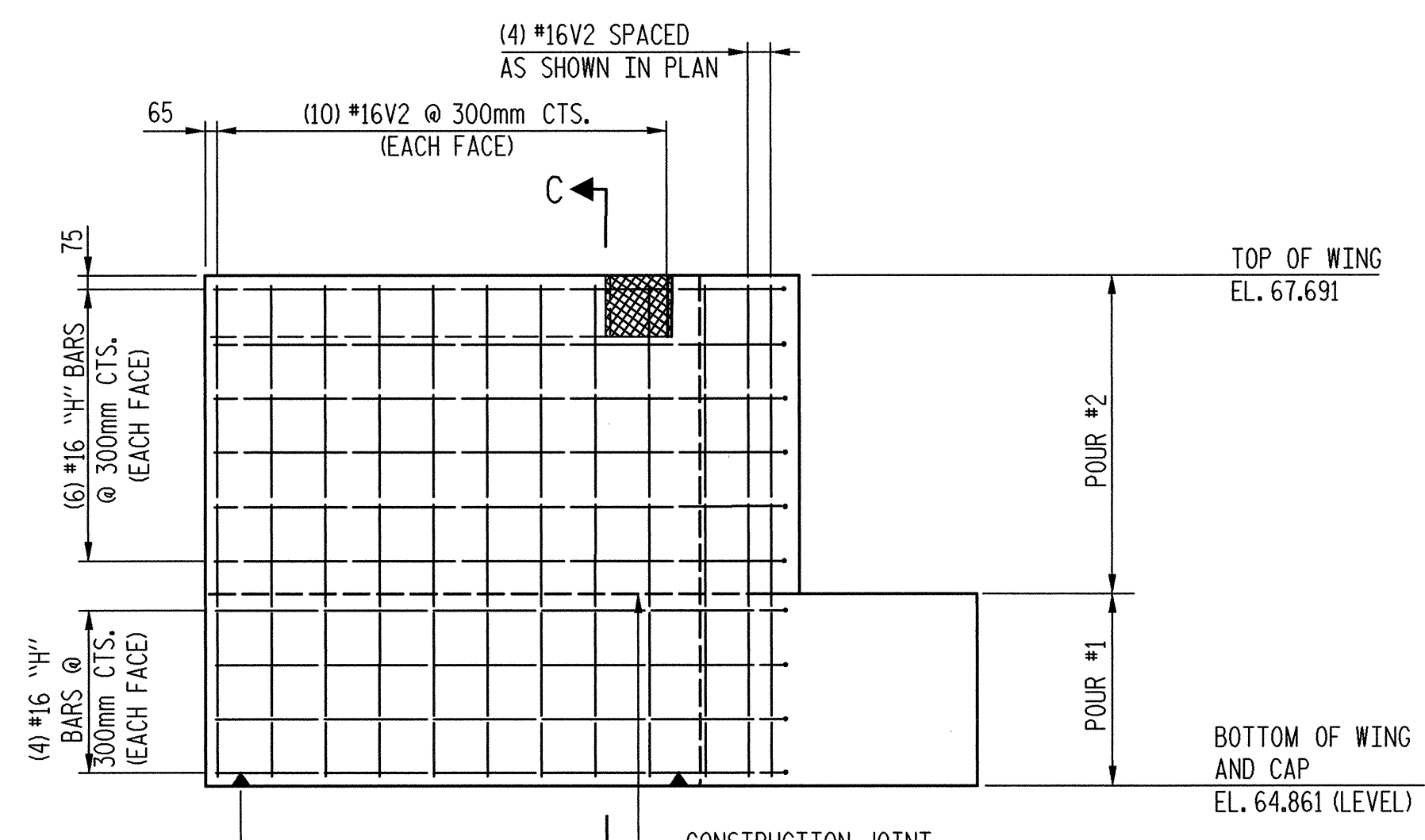
PLAN WING - W1



PLAN WING - W2

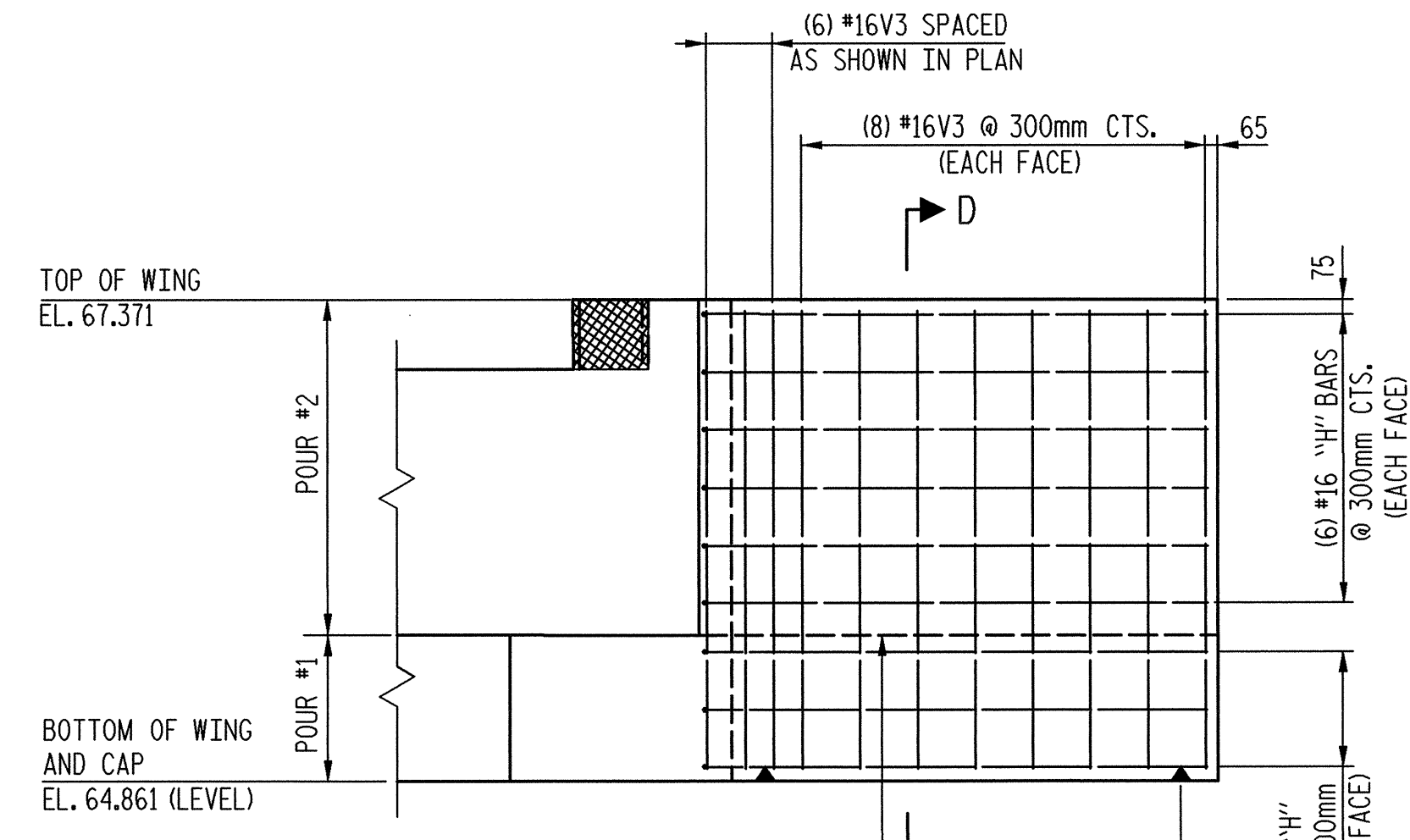


BRIDGE SEAT REINFORCEMENT



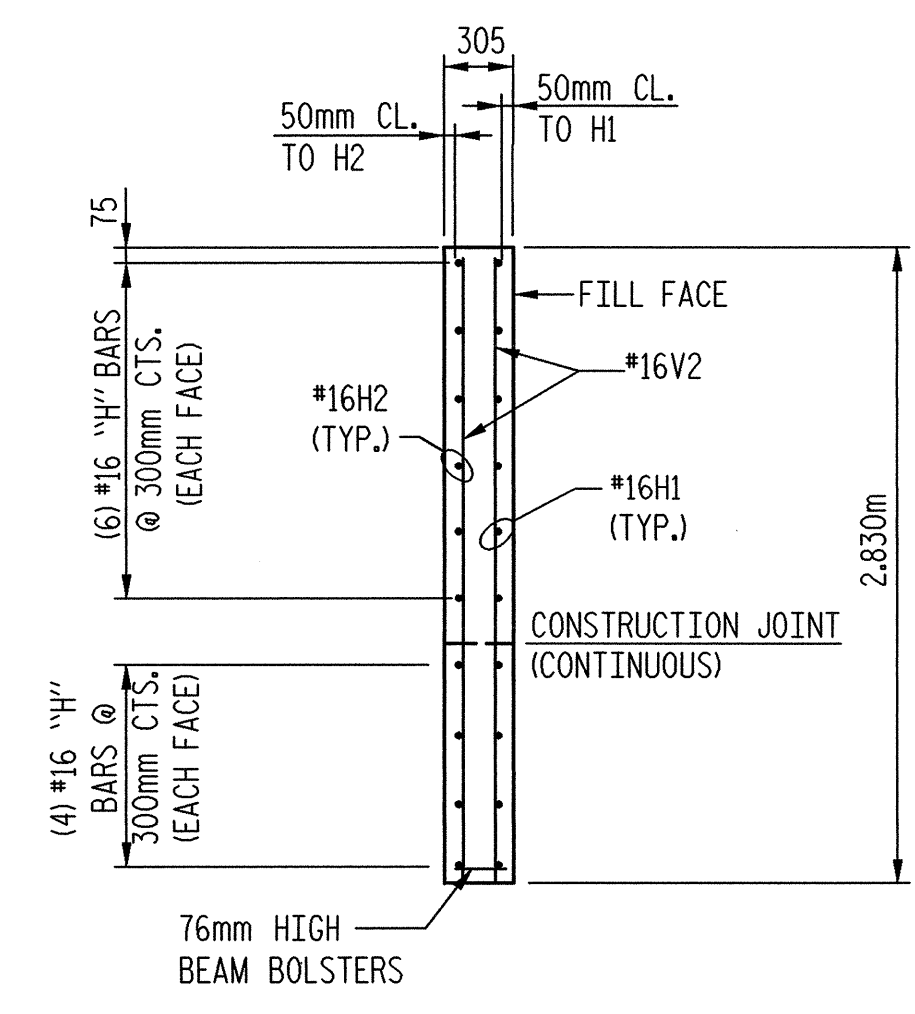
ELEVATION WING - W1

** PLACE #16 "H" BARS TO MATCH #16 "K" BARS IN BACKWALL

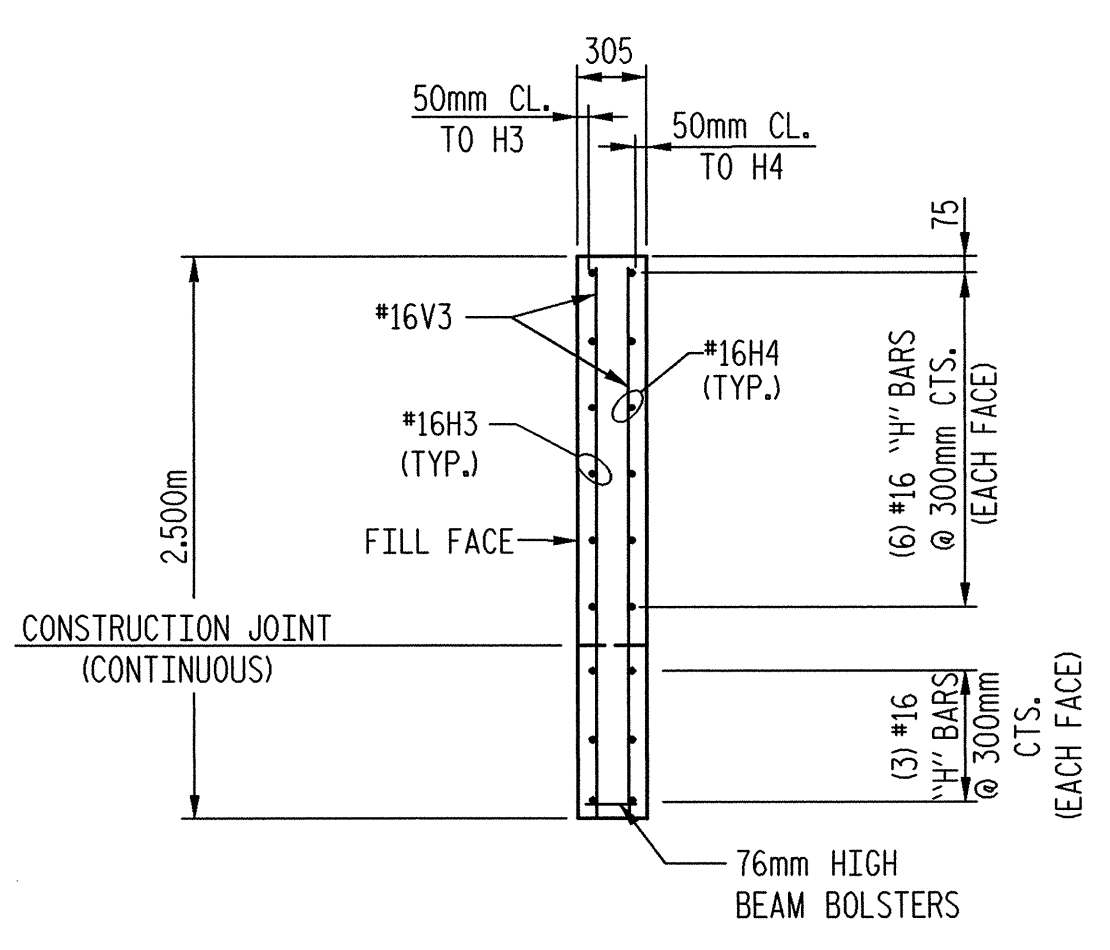


ELEVATION WING - W2

** PLACE #16 "H" BARS TO MATCH #16 "K" BARS IN BACKWALL

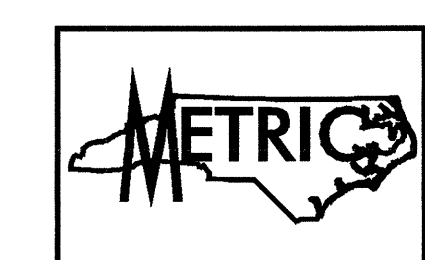


SECTION "C"



SECTION "D"

DRAWN BY : M.L. MARLEY DATE : 1/02
 CHECKED BY : D.B. HOFF DATE : 3/02



PROJECT NO. R-2552AB
 JOHNSTON COUNTY
 STATION: 40+80.000 -L- P.O.C.
 SHEET 2 OF 3

TRANSYSTEMS CORPORATION
 75 Beattle Plaza, Suite 400
 Greenville, SC 29601 (864) 234-0866

STATE OF NORTH CAROLINA
 DEPARTMENT OF TRANSPORTATION
 RALEIGH

SEAL 16335
 ENGINEER
 DAVID B. HOFF

REVISIONS						SHEET NO.
NO.	BY:	DATE:	NO.	BY:	DATE:	
1			3			5-321
2			4			TOTAL SHEETS 429