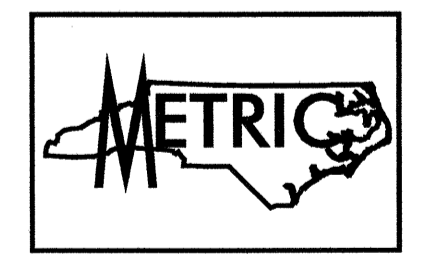
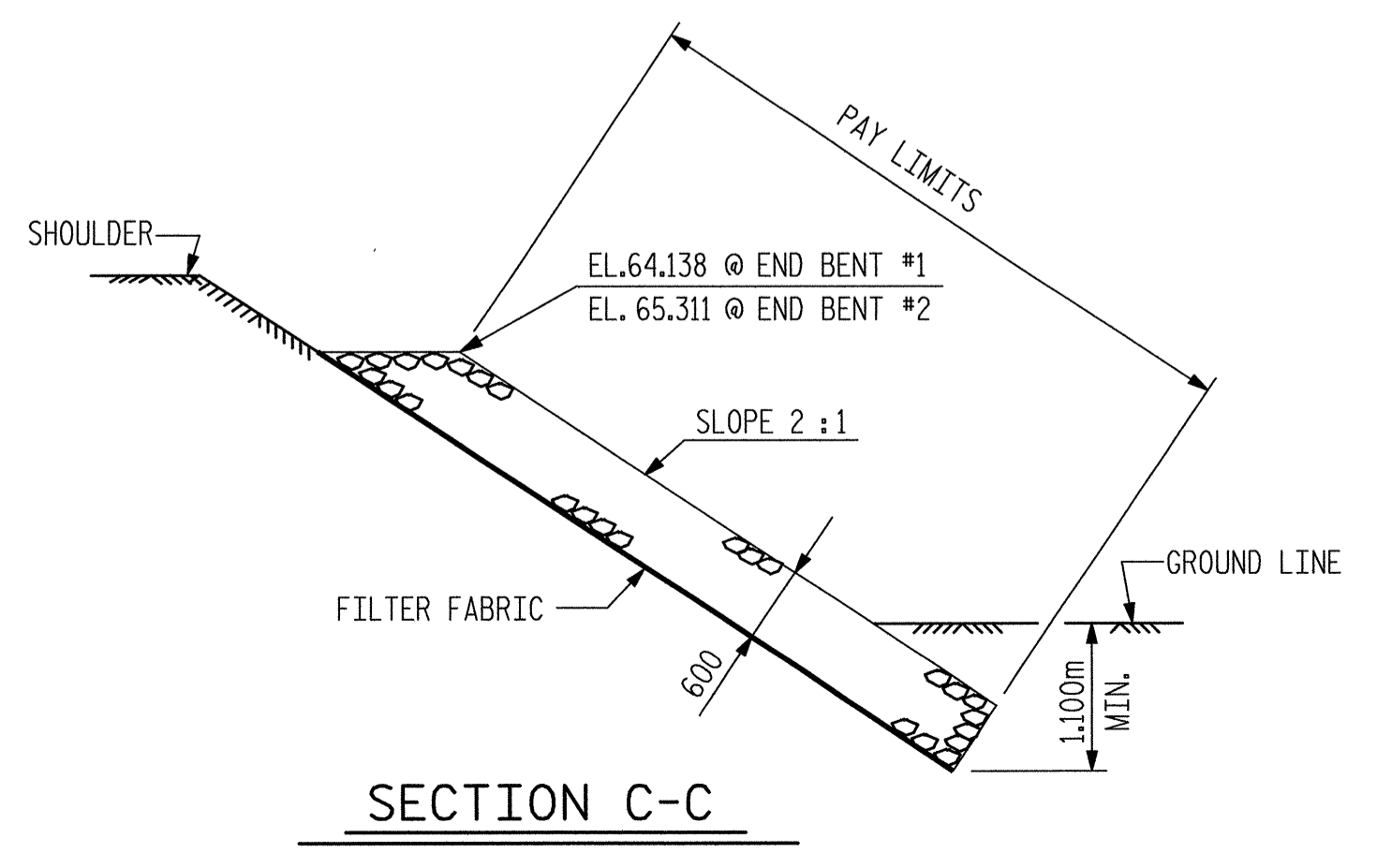
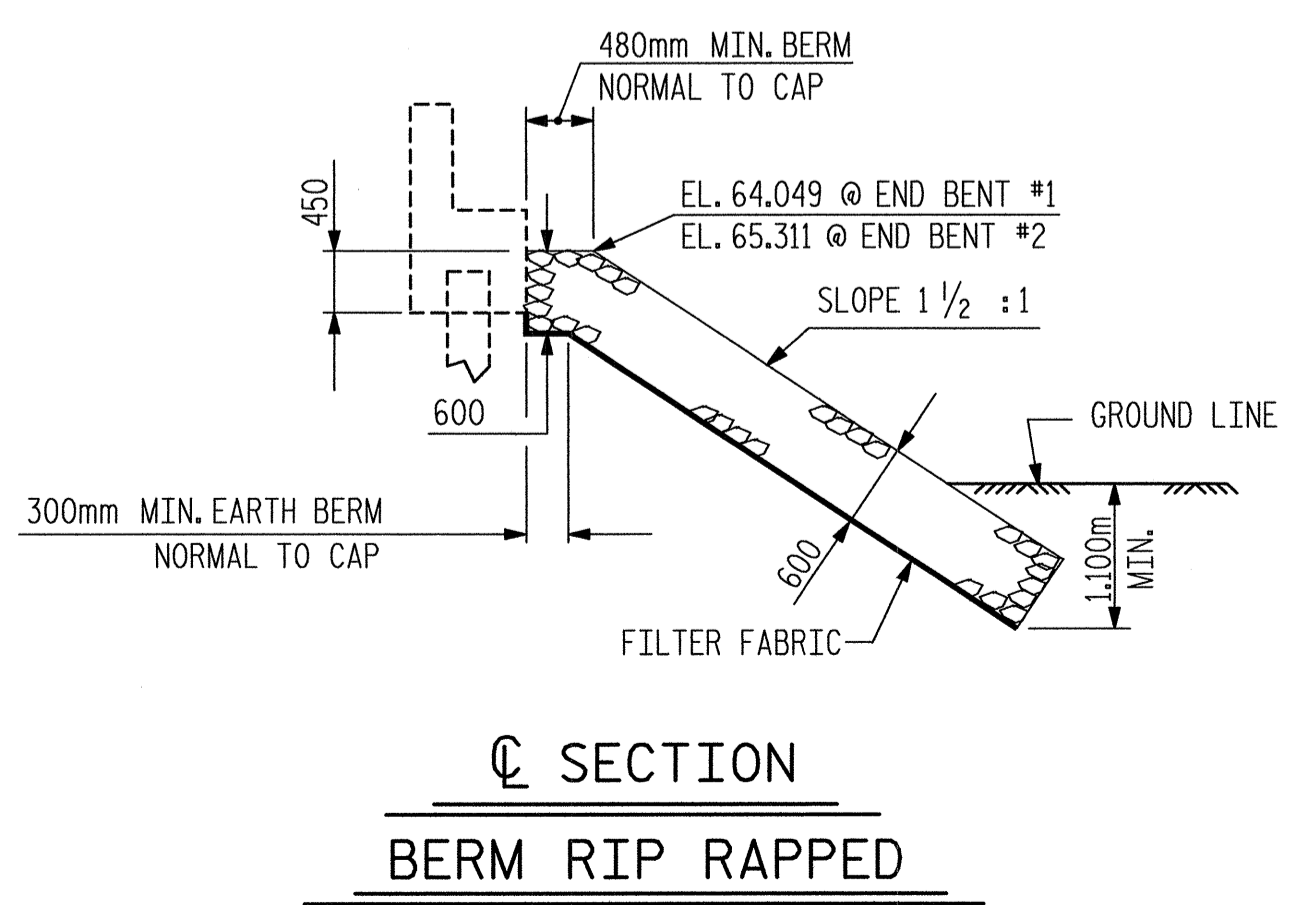


@ END BENT #1

@ END BENT #2

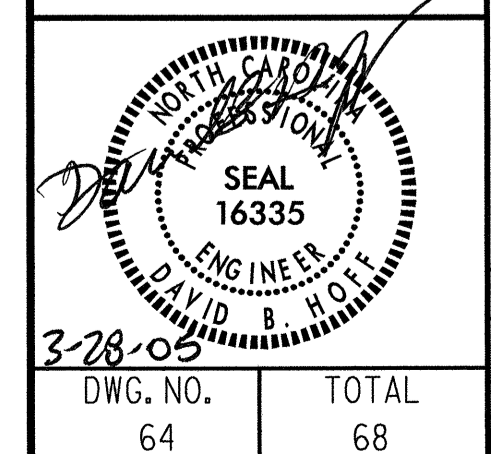
BERM RIP RAPPED

ESTIMATED QUANTITIES		
BRIDGE @ STA. 40+80.000	PLAIN RIP RAP CLASS II	FILTER FABRIC FOR DRAINAGE
	METRIC TONS	SQUARE METERS
END BENT #1	60.0	53.0
END BENT #2	150.0	146.0



PROJECT NO. R-2552AB
JOHNSTON COUNTY
 STATION: 40+80.000 -L- P.O.C.

TRANSYSTEMS CORPORATION
 75 Beattie Place, Suite 400
 Greenville, SC 29601 (864) 234-0866



STATE OF NORTH CAROLINA
DEPARTMENT OF TRANSPORTATION
 RALEIGH

**RIP RAP DETAILS
 (LEFT LANE)**

REVISIONS						SHEET NO.
NO.	BY:	DATE:	NO.	BY:	DATE:	
1			3			TOTAL SHEETS 429
2			4			

DRAWN BY : J. B. GEILE DATE : 12/01
 CHECKED BY : D. B. HOFF DATE : 12/01

g:\gv04\0125\bridge\site1\left\wb1\final\rip\rip\left\wb1\left\wb1.dgn
 3/28/2005 2:03:50 PM