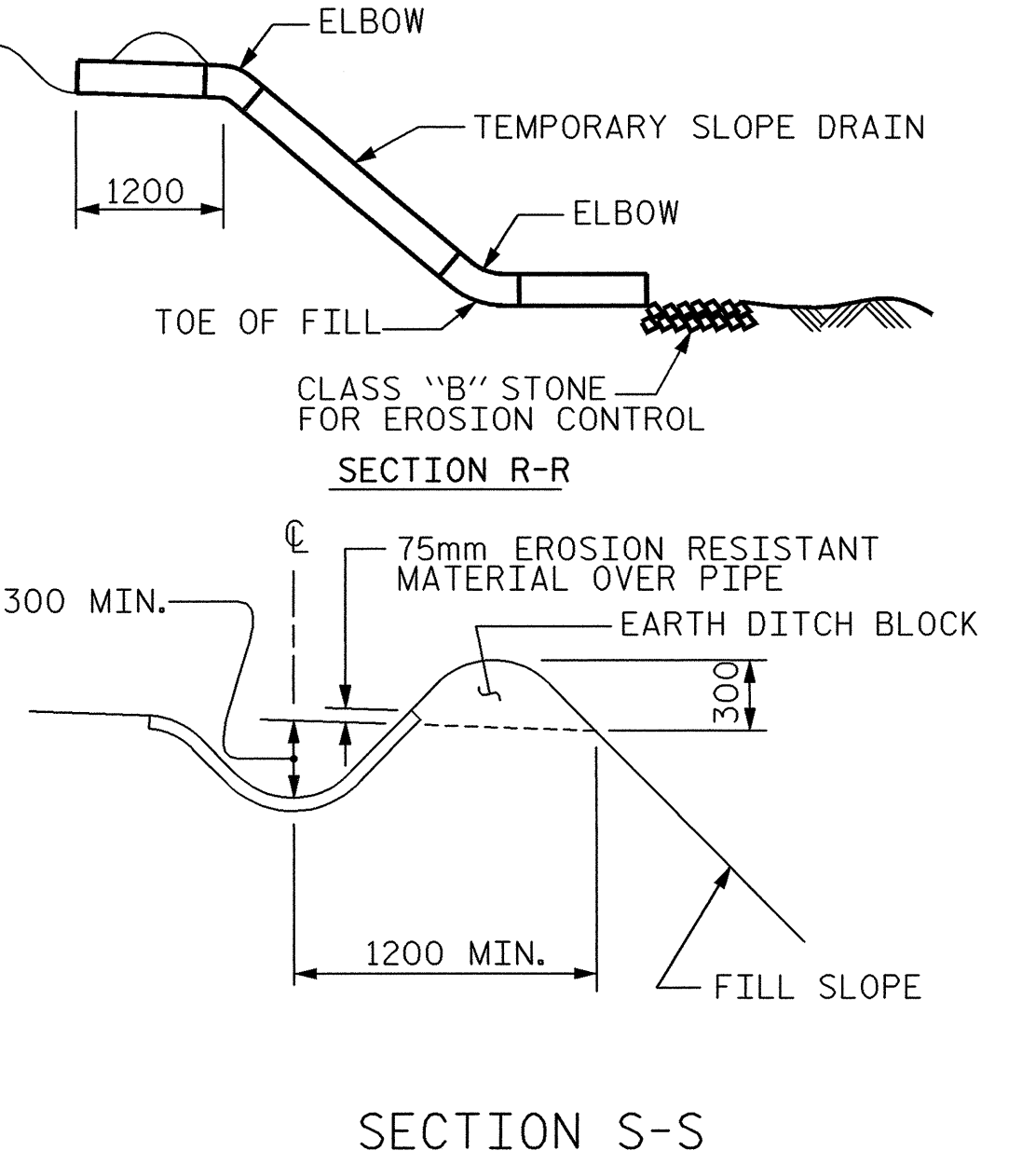
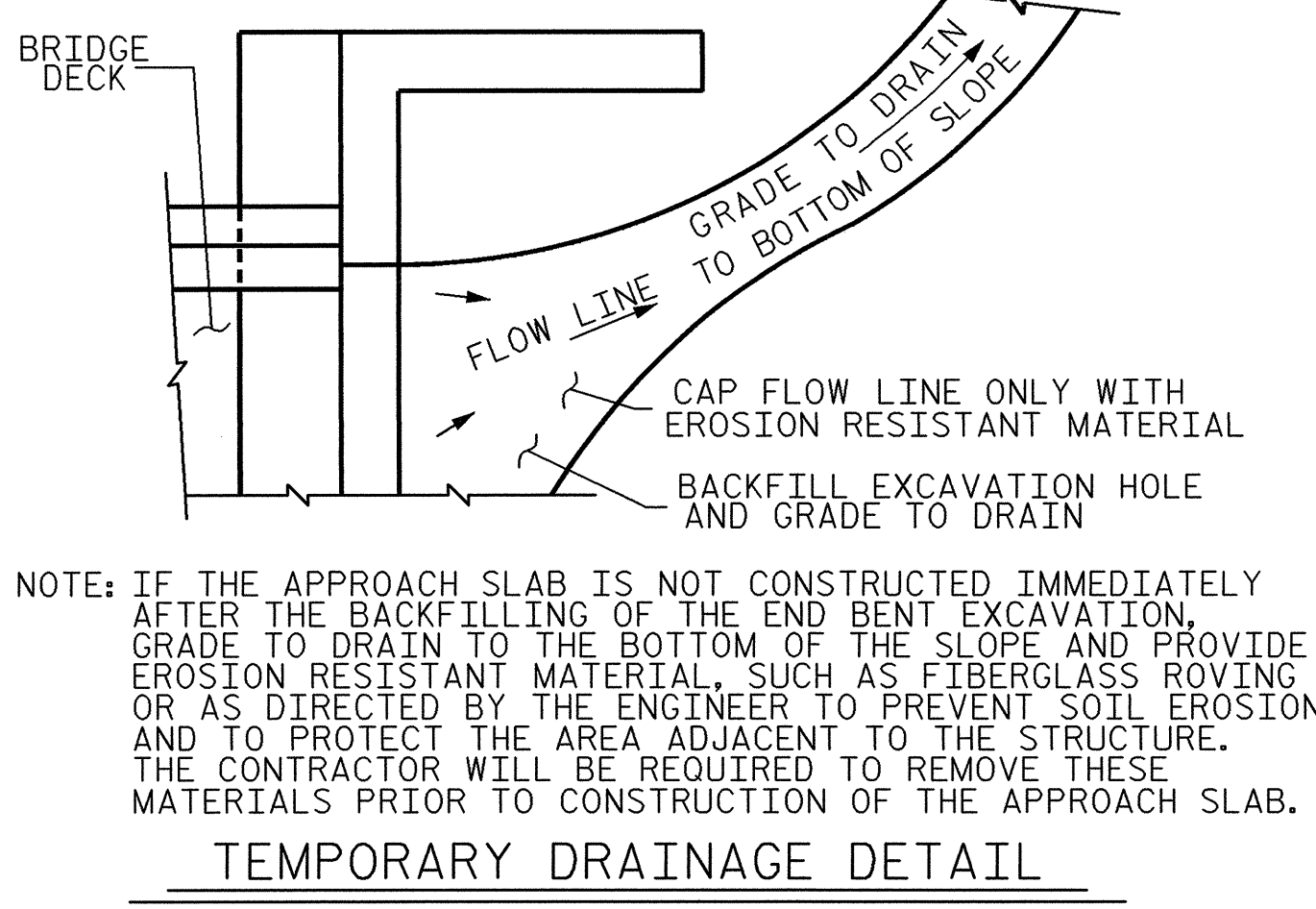


NOTE: IMMEDIATELY AFTER THE CONSTRUCTION OF THE APPROACH SLAB, THE CONTRACTOR SHALL PROVIDE TEMPORARY BERM AND SLOPE DRAIN. CONTRACTOR SHALL GRADE TO PIPE INLET AND PROVIDE EROSION RESISTANT MATERIAL AS SHOWN. THE EROSION RESISTANT MATERIAL SHALL BE EITHER 1) ASPHALT PLANT MIX, TYPE 1 OR TYPE 2, MIN. 50mm DEPTH, 2) EROSION CONTROL MAT, OR 3) CONCRETE, AS DIRECTED BY THE ENGINEER. THE SLOPE DRAIN SHALL CONSIST OF A NON-PERFORATED TEMPORARY DRAINAGE PIPE, 305mm IN DIAMETER.



TEMPORARY BERM AND SLOPE DRAIN DETAILS

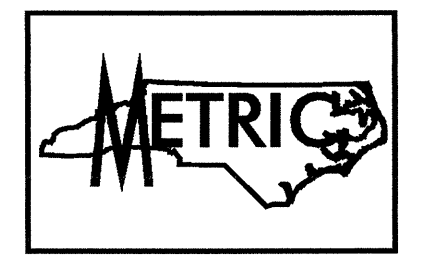


PROJECT NO. R-2552AB

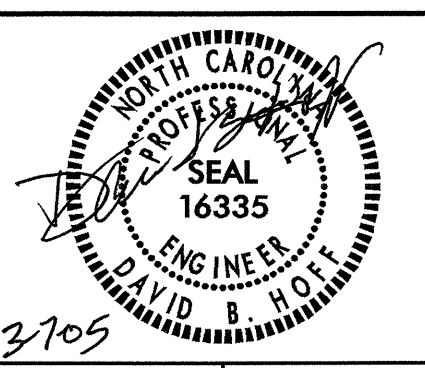
JOHNSTON COUNTY

STATION: 40+80.000 -L- P.O.C.

SHEET 4 OF 4



TRANSYSTEMS CORPORATION
75 Beattie Place, Suite 400
Greenville, SC 29601 (864) 234-0866



STATE OF NORTH CAROLINA
DEPARTMENT OF TRANSPORTATION
RALEIGH

STANDARD
BRIDGE APPROACH
SLAB DETAILS
(LEFT LANE)

REVISIONS						SHEET NO.
NO.	BY:	DATE:	NO.	BY:	DATE:	5-328
1			3			TOTAL SHEETS
2			4			429

ASSEMBLED BY: M.L. MARLEY	DATE: 12/01
CHECKED BY: D.B. HOFF	DATE: 12/01
DRAWN BY: FCJ 11/88	REV. 7/17/98 RWW/LES
CHECKED BY: ARB 11/88	REV. 8/16/99 RAL/LES
	REV. 10/17/00R RWW/LES

g:\V04\0125\Bridges\Site\Left (WBL\Final\Bas10em(wb)).dgn
 3/7/2005
 2:31:38 PM