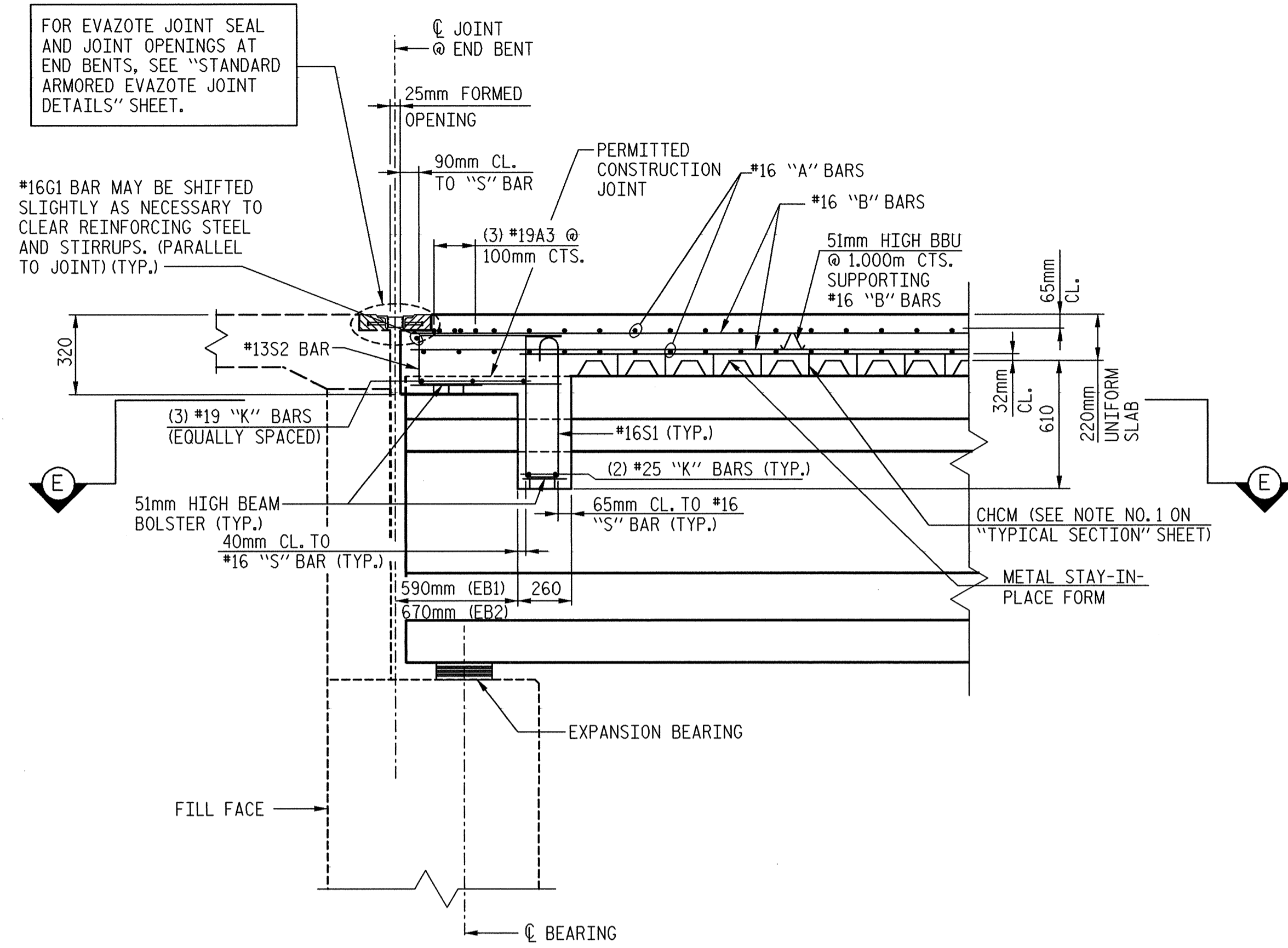
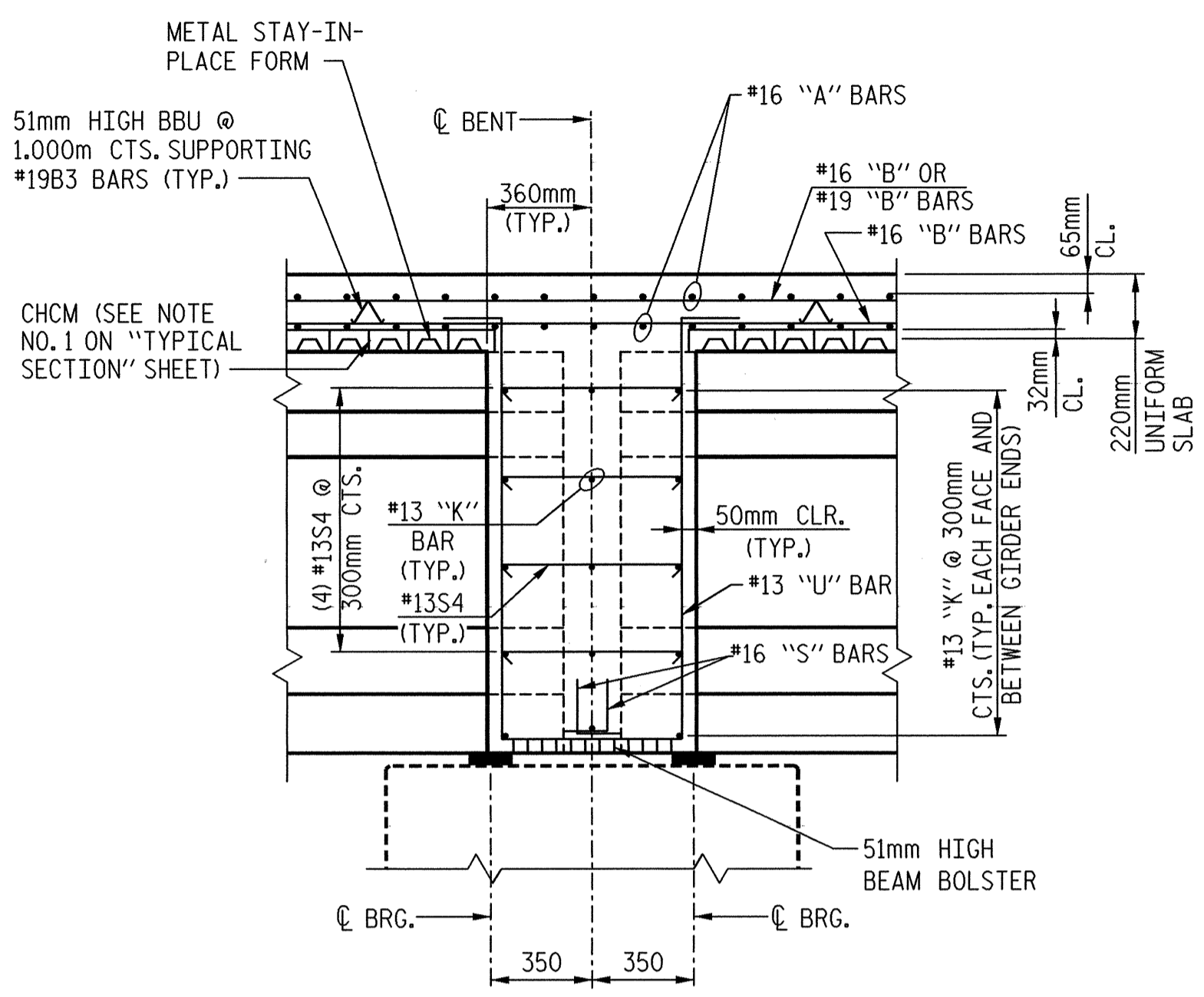


FOR EVAZOTE JOINT SEAL AND JOINT OPENINGS AT END BENTS, SEE "STANDARD ARMORED EVAZOTE JOINT DETAILS" SHEET.



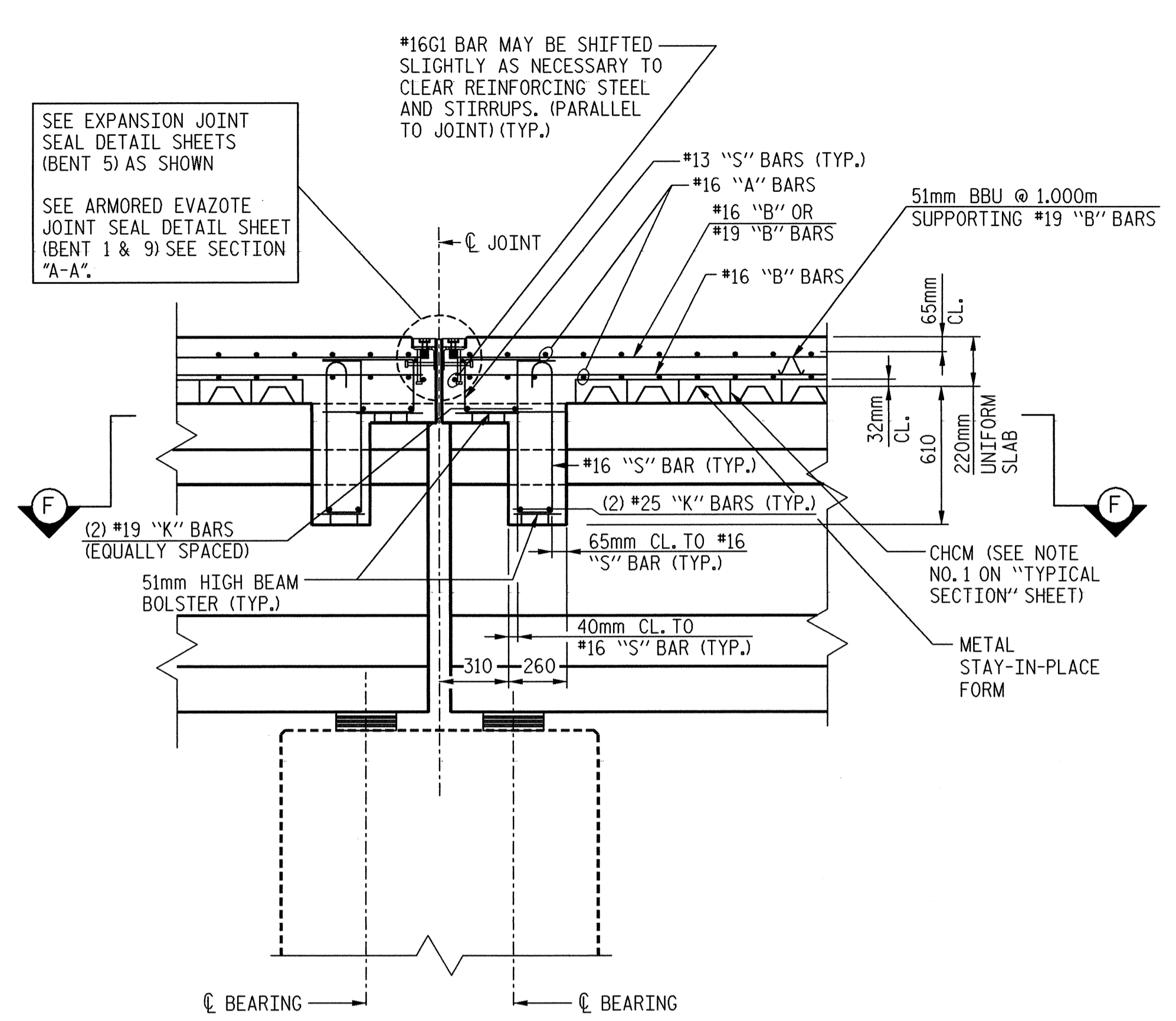
SECTION "A-A"

NOTE: DIMENSIONS SHOWN ARE NORMAL TO END BENT



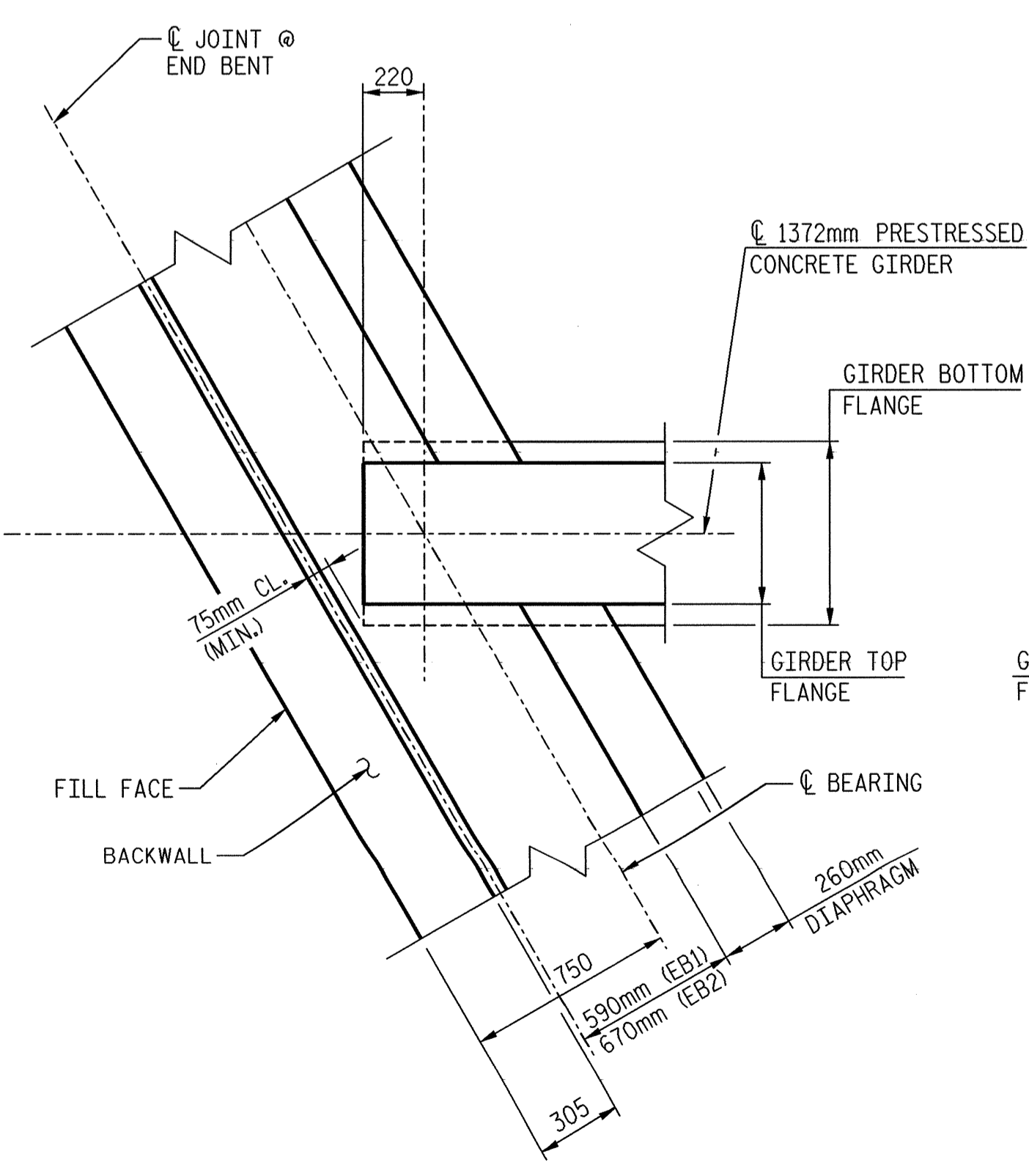
SECTION "B-B"

(INTERIOR BENT #2, #3, #4, #6, #7 AND BENT #8 DIAPHRAGMS)

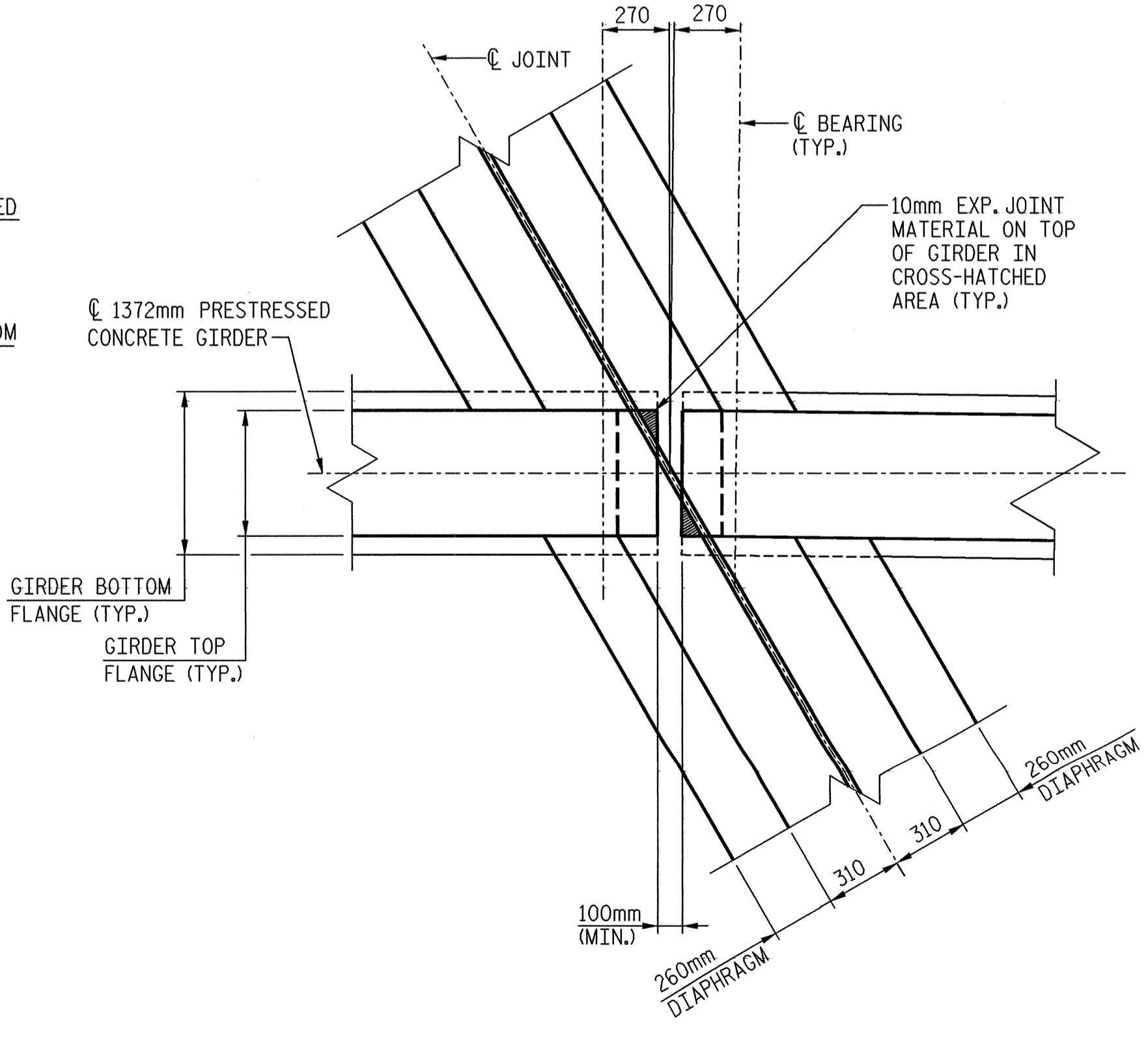


SECTION "C-C"

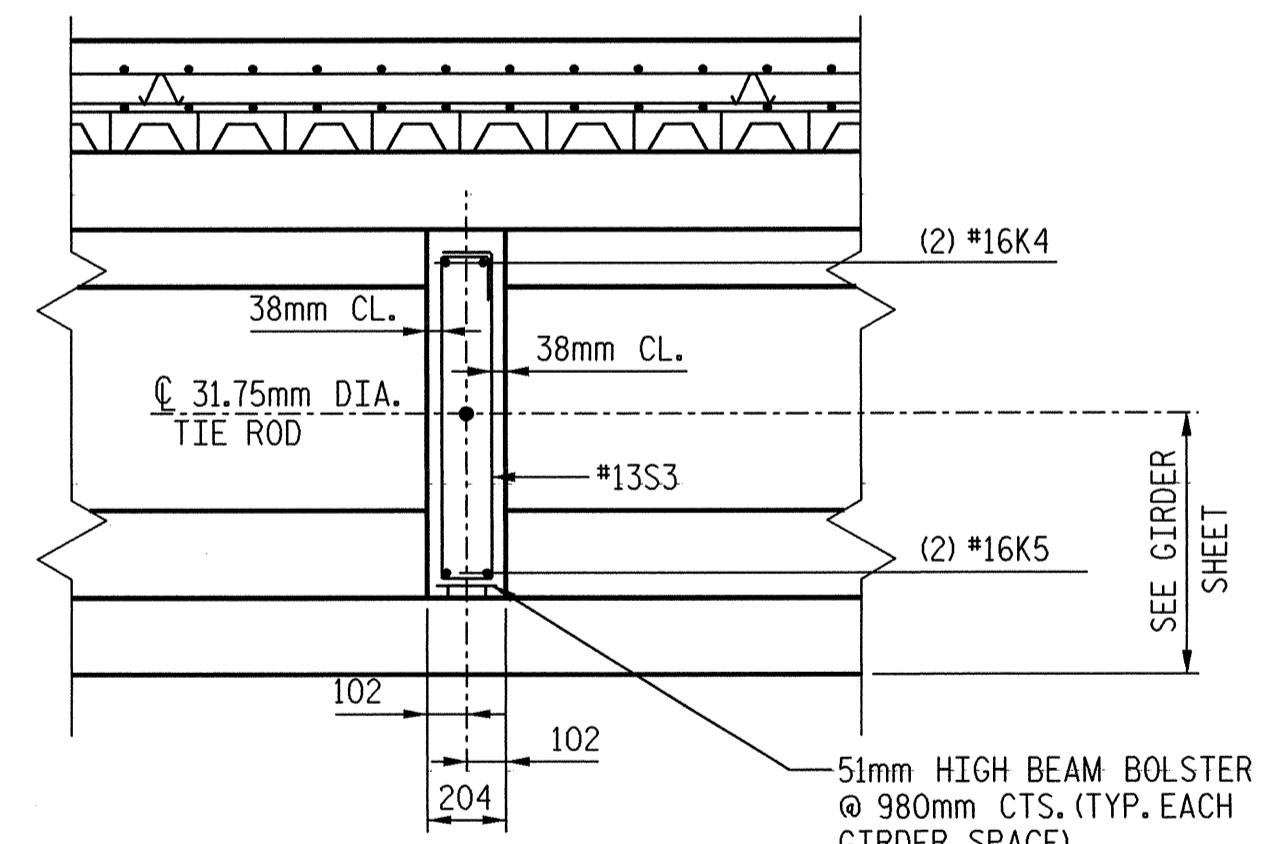
(INTERIOR BENT #1, #5 AND #9 DIAPHRAGMS)



SECTION "E-E"



SECTION "F-F"

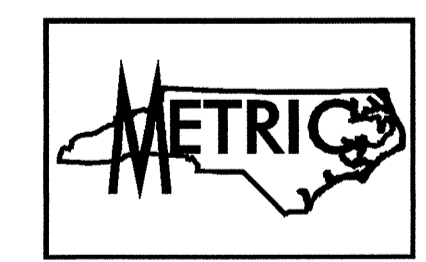


SECTION "D-D"

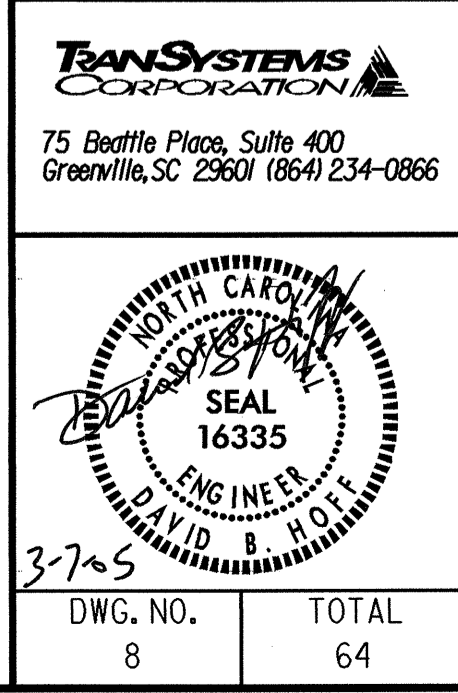
(TYPICAL INTERMEDIATE DIAPHRAGM)

g:\civ\04\0125\Bridges\State\Right (EBU)\Final\Typ-sect2(eb).dgn
 5/4/2005
 12:20:27 PM

DRAWN BY: J. B. GEILE DATE: 8/01
 CHECKED BY: M. L. MARLEY DATE: 10/01



PROJECT NO. R-2552AB
 JOHNSTON COUNTY
 STATION: 40+96.000 -L- P.O.C.
 SHEET 1 OF 2



STATE OF NORTH CAROLINA DEPARTMENT OF TRANSPORTATION RALEIGH SUPERSTRUCTURE TYPICAL DETAILS (RIGHT LANE)					
REVISIONS					
NO.	BY:	DATE:	NO.	BY:	DATE:
1			3		
2			4		
DWG. NO. 8					TOTAL 64
SHEET NO. S-339					TOTAL SHEETS 429