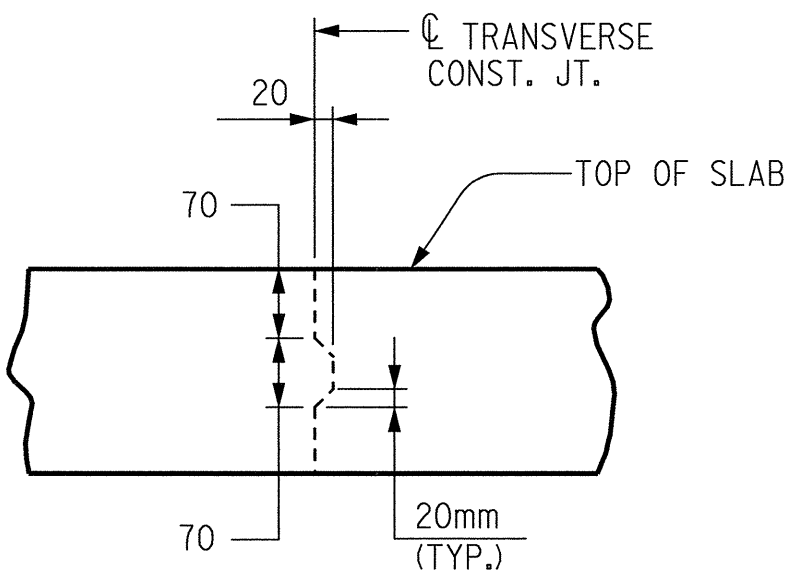


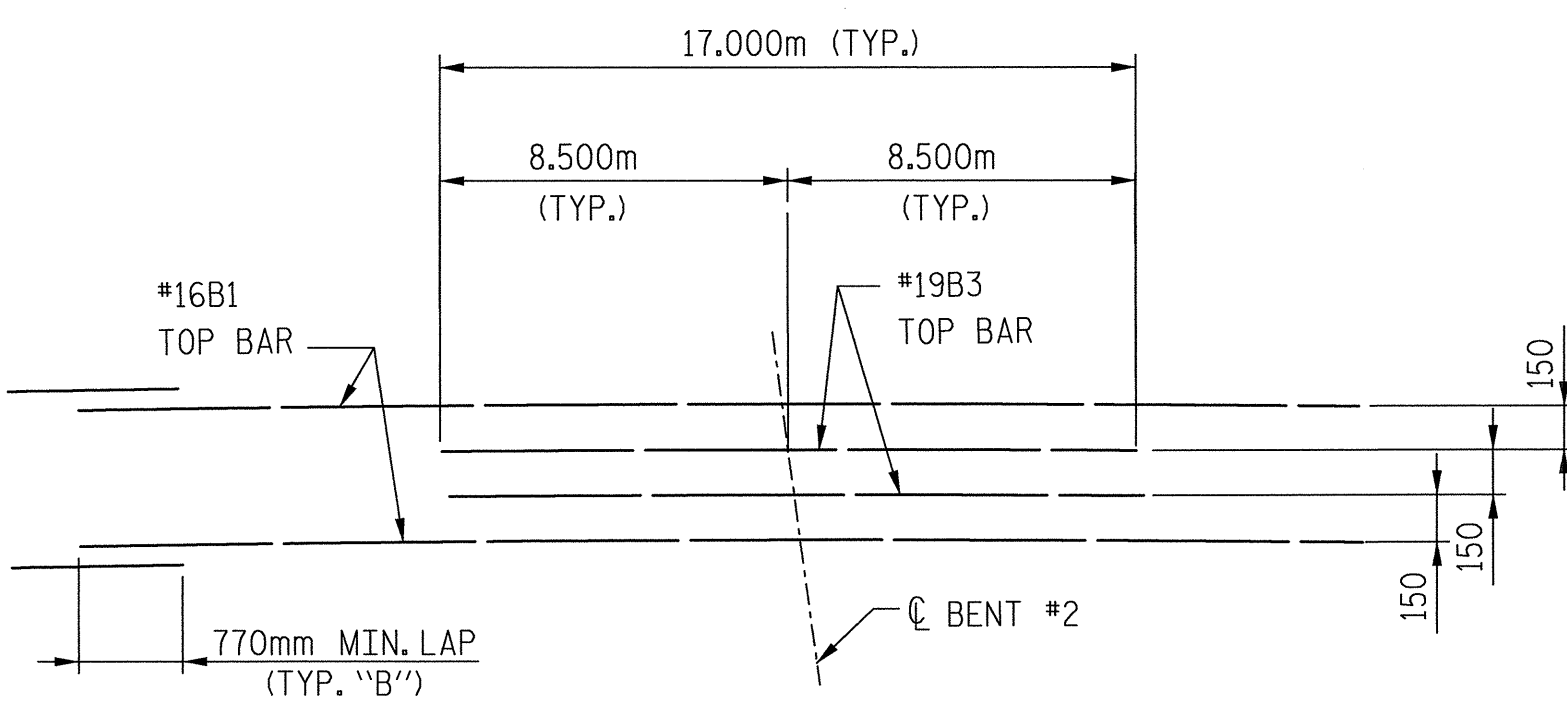
PLAN OF SPAN "B" PARTIAL PLAN "C"

* DENOTES RADIAL DIMENSIONS



TRANSVERSE CONSTRUCTION JOINT DETAIL

NOTE: REINFORCING STEEL IN THE SLAB NOT SHOWN. SLAB REINFORCING STEEL SHALL BE CONTINUOUS THRU JOINT.



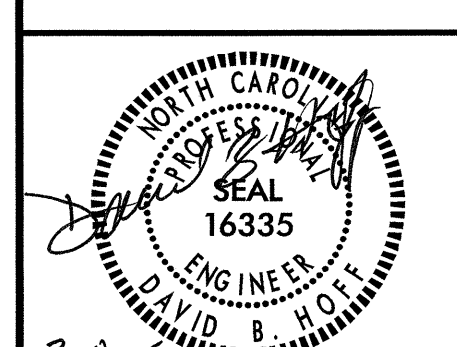
LAYOUT FOR "B" BARS BENT #2

(TOP OF SLAB)



PROJECT NO. R-2552AB
 JOHNSTON COUNTY
 STATION: 40+96.000 -L- P.O.C.
 SHEET 2 OF 8

TRANSYSTEMS CORPORATION
 75 Beattie Place, Suite 400
 Greenville, SC 29601 (864) 234-0866



STATE OF NORTH CAROLINA
 DEPARTMENT OF TRANSPORTATION
 RALEIGH
 SUPERSTRUCTURE
 PLAN OF SPAN "B" & PARTIAL
 PLAN OF SPAN "C"
 (RIGHT LANE)

REVISIONS						SHEET NO.
NO.	BY:	DATE:	NO.	BY:	DATE:	5-342
1			3			TOTAL SHEETS
2			4			429

DRAWN BY: J.B. GETILE DATE: 09/01
 CHECKED BY: M.L. MARLEY DATE: 12/01

9:\G\04\0125\Bridges\Steele\Right (EBL)\Final\Span-bc(eb1).dgn
 3/17/2005
 10:38:09 AM