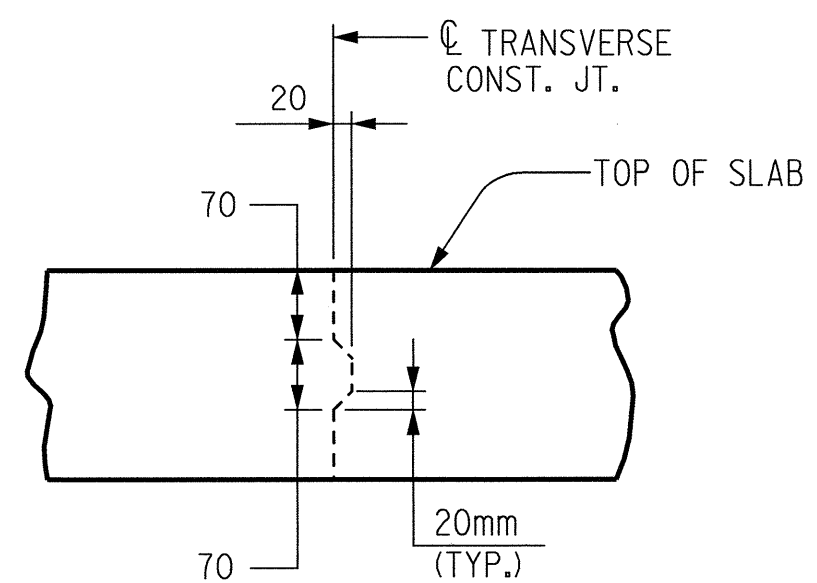
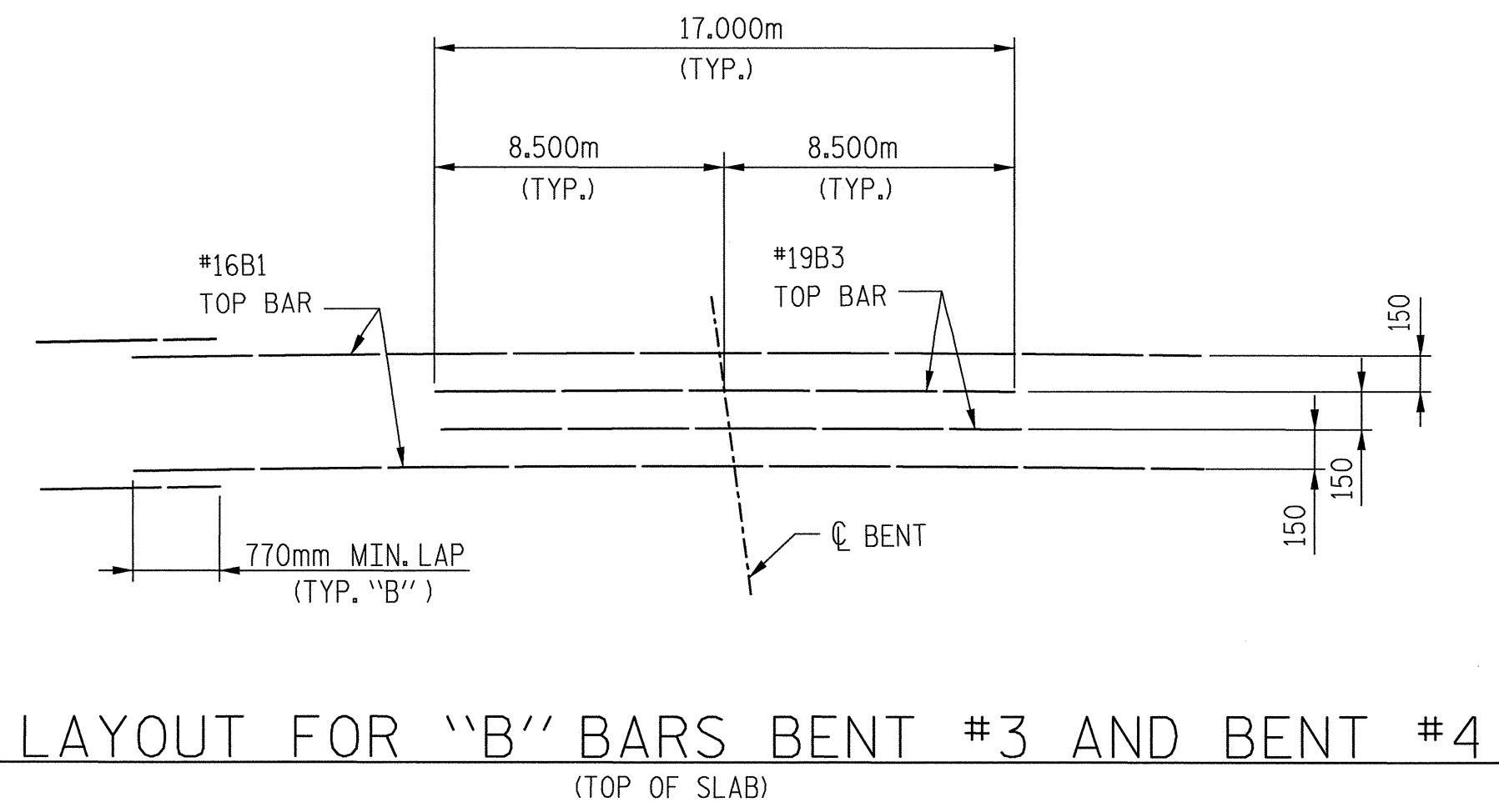


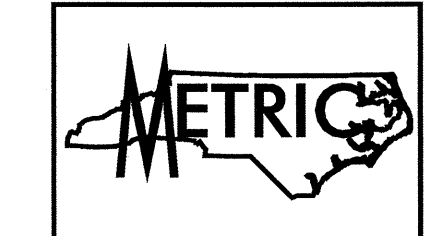
PARTIAL PLAN "C" PLAN OF SPAN "D"
 *DENOTES RADIAL DIMENSION



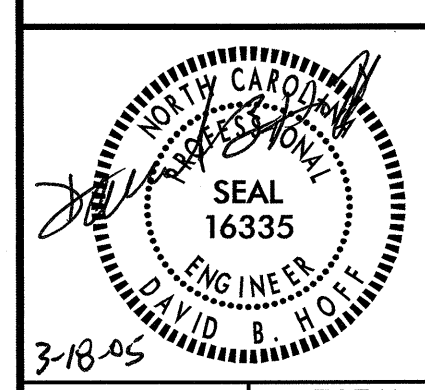
TRANSVERSE CONSTRUCTION JOINT DETAIL

NOTE: REINFORCING STEEL IN THE SLAB NOT SHOWN. SLAB REINFORCING STEEL SHALL BE CONTINUOUS THRU JOINT.

PROJECT NO. R-2552AB
 JOHNSTON COUNTY
 STATION: 40+96.000 -L- P.O.C.
 SHEET 3 OF 8



TRANSYSTEMS CORPORATION
 75 Beattie Place, Suite 400
 Greenville, SC 29601 (864) 234-0866



STATE OF NORTH CAROLINA
 DEPARTMENT OF TRANSPORTATION
 RALEIGH
 SUPERSTRUCTURE
 PARTIAL PLAN OF SPAN "C" &
 PLAN OF SPAN "D"
 (RIGHT LANE)

REVISIONS						SHEET NO.
NO.	BY:	DATE:	NO.	BY:	DATE:	5-343
1			3			TOTAL SHEETS
2			4			429

DRAWN BY: J. B. GEILE DATE: 09/01
 CHECKED BY: M. L. MARLEY DATE: 12/01

g:\y04\025\bridge\airtel\right (eb)\final\span-cd(ebl).dgn
 3/17/2005 10:38:13 AM