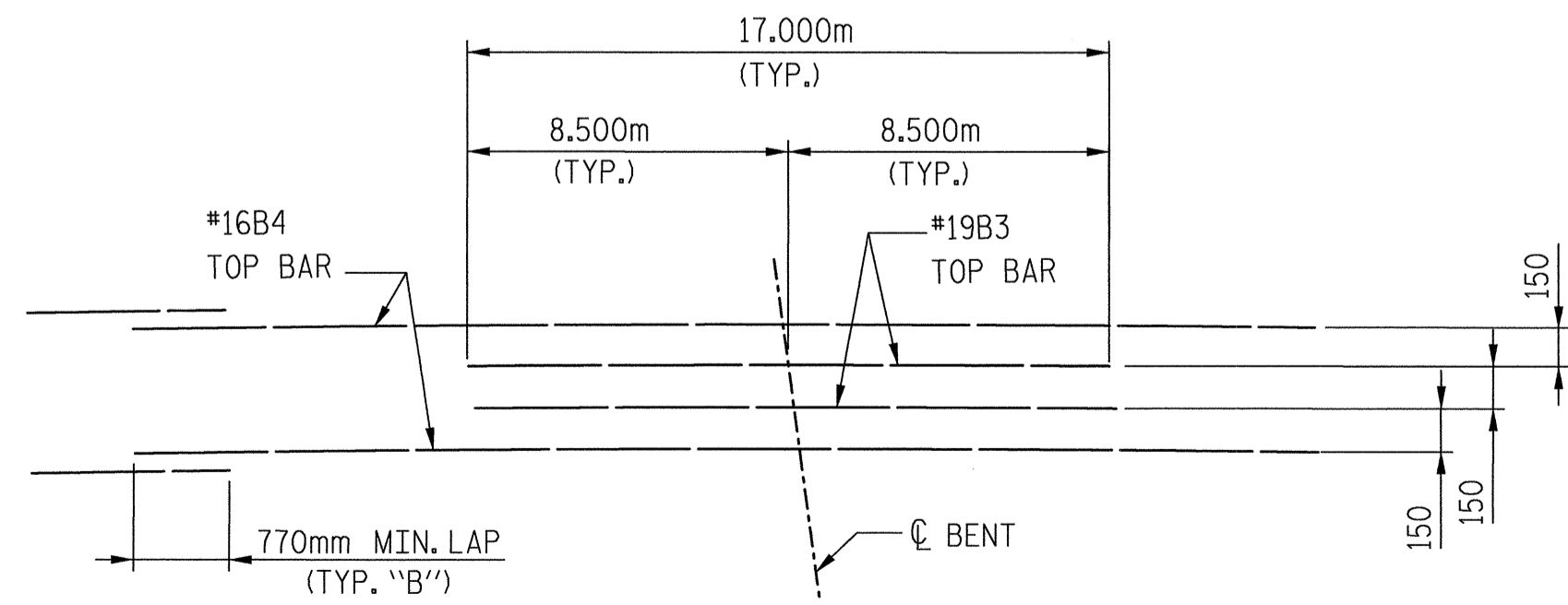
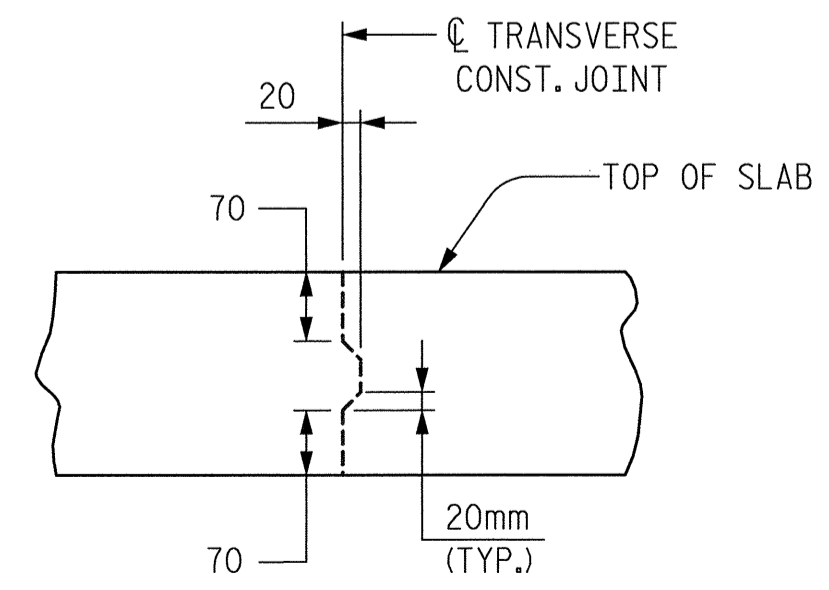


PLAN OF SPAN "G" AND PARTIAL PLAN "H"

* DENOTES RADIAL DIMENSION



TYPICAL LAYOUT FOR "B" BARS BENT #6 AND BENT #7



TRANSVERSE CONSTRUCTION JOINT DETAIL

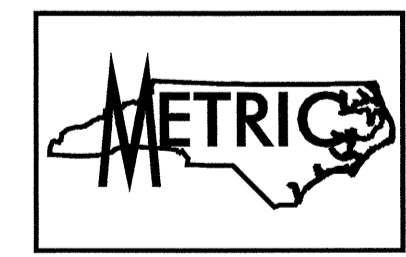
NOTE: REINFORCING STEEL IN THE SLAB NOT SHOWN. SLAB REINFORCING STEEL SHALL BE CONTINUOUS THRU JOINT.

PROJECT NO. R-252AB

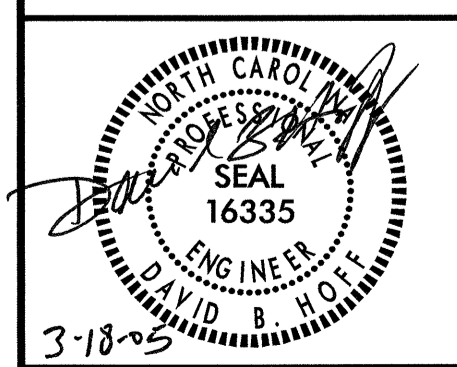
JOHNSTON COUNTY

STATION: 40+96.000 -L- P.O.C.

SHEET 6 OF 8



TRANSYSTEMS CORPORATION
75 Beattie Place, Suite 400
Greenville, SC 29601 (864) 234-0866



STATE OF NORTH CAROLINA
DEPARTMENT OF TRANSPORTATION
RALEIGH

SUPERSTRUCTURE
PLAN OF SPAN "G" & PARTIAL
PLAN OF SPAN "H"
(RIGHT LANE)

REVISIONS						SHEET NO.
NO.	BY:	DATE:	NO.	BY:	DATE:	TOTAL SHEETS
1			3			5-346
2			4			429

DRAWN BY: J. B. GEILE DATE: 11/01
CHECKED BY: M. L. MARLEY DATE: 12/01

g:\y04\0125\bridge\sitel\right (eb)\Final\span-gh(ebl).dgn
3/17/2005
10:38:27 AM