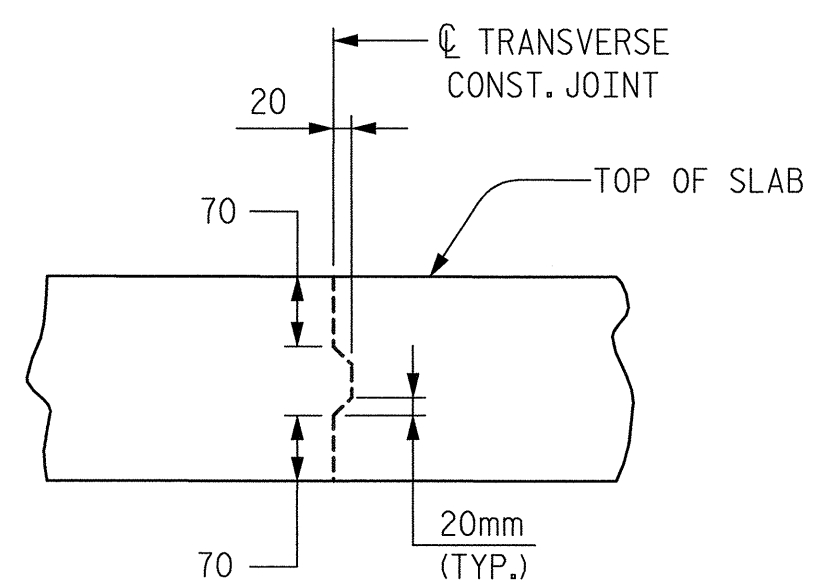
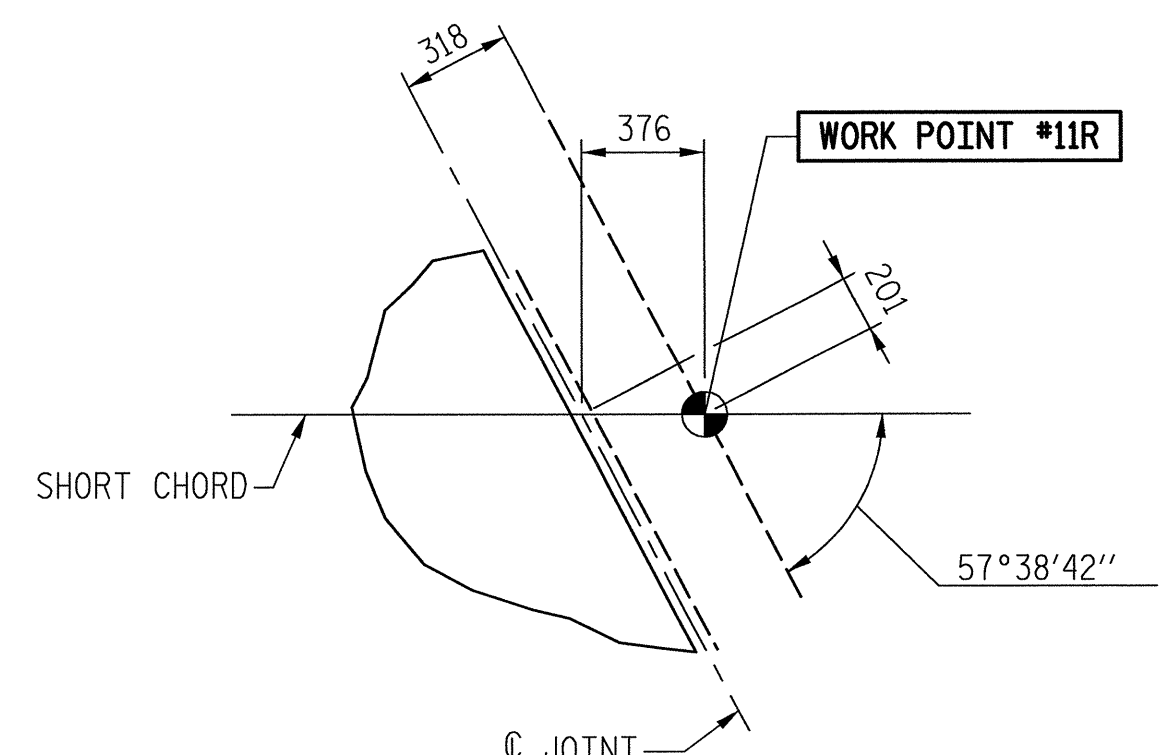


PLAN OF SPAN "J"
* DENOTES RADIAL DIMENSION



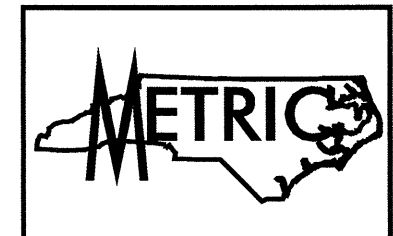
TRANSVERSE CONSTRUCTION JOINT DETAIL

NOTE: REINFORCING STEEL IN THE SLAB NOT SHOWN. SLAB REINFORCING STEEL SHALL BE CONTINUOUS THRU JOINT.

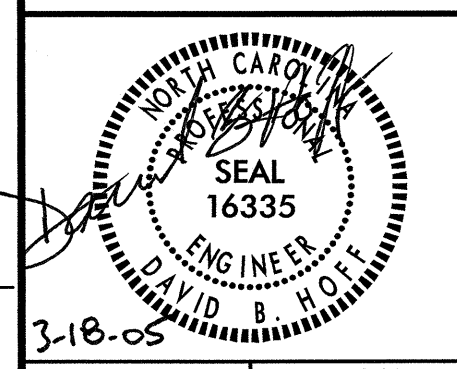


DETAIL OF OFFSET DIMENSIONS

NOTE: SKEWED DIMENSIONS AT END BENT #2 ARE BASED ON A JOINT OPENING OF 32mm AT 16°.



TRANSYSTEMS CORPORATION
75 Beattie Place, Suite 400
Greenville, SC 29601 (864) 234-0866



PROJECT NO. R-2552AB
JOHNSTON COUNTY
STATION: 40+96.000 -L- P.O.C.
SHEET 8 OF 8

STATE OF NORTH CAROLINA
DEPARTMENT OF TRANSPORTATION
RALEIGH

SUPERSTRUCTURE
PLAN OF SPAN "J"
(RIGHT LANE)

| REVISIONS | | | | | | SHEET NO. |
|-----------|-----|-------|-----|-----|-------|--------------|
| NO. | BY: | DATE: | NO. | BY: | DATE: | 5-346 |
| 1 | | | 3 | | | TOTAL SHEETS |
| 2 | | | 4 | | | 429 |

DRAWN BY: J. B. GEILE DATE: 11/01
CHECKED BY: M. L. MARLEY DATE: 12/01

9:\0\04\025\B-edge\Strel\Right (EBL)\Final\Span-J (right).dgn
3/18/2005 11:30:31 AM