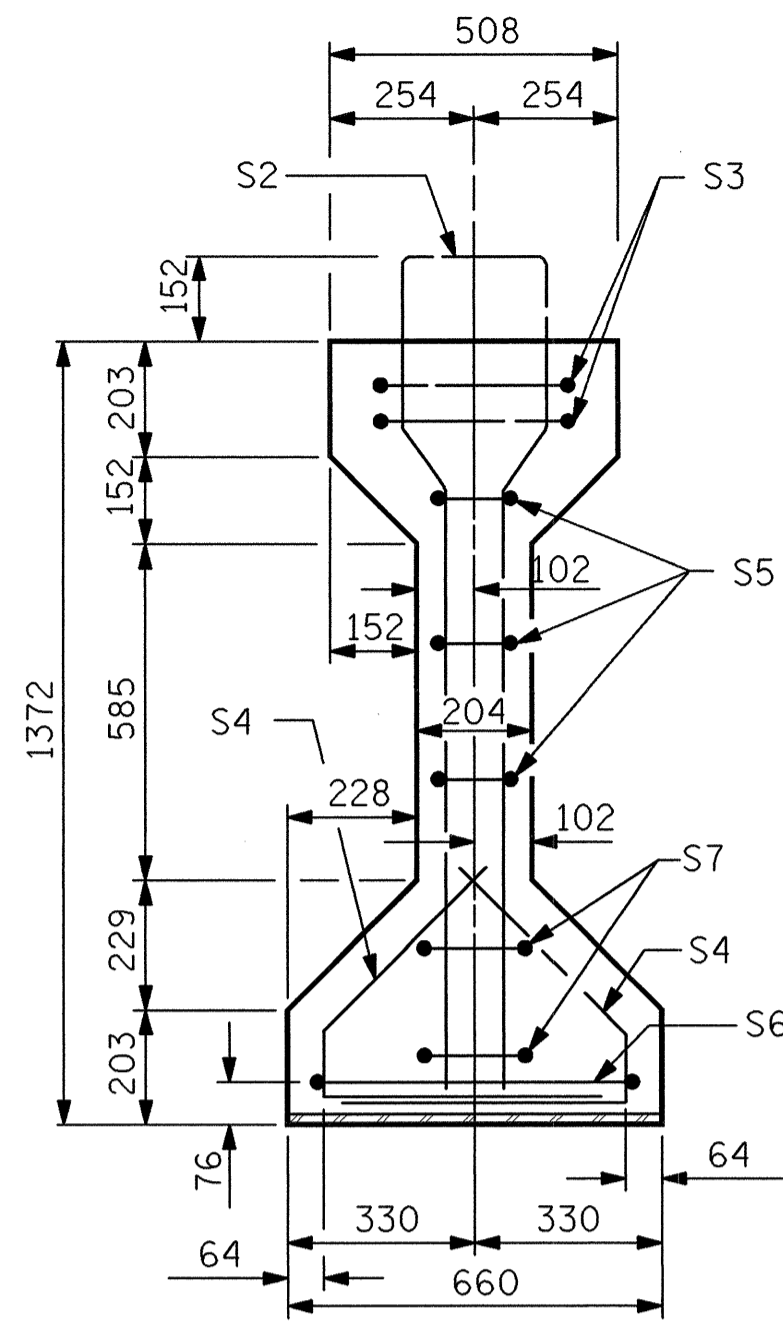
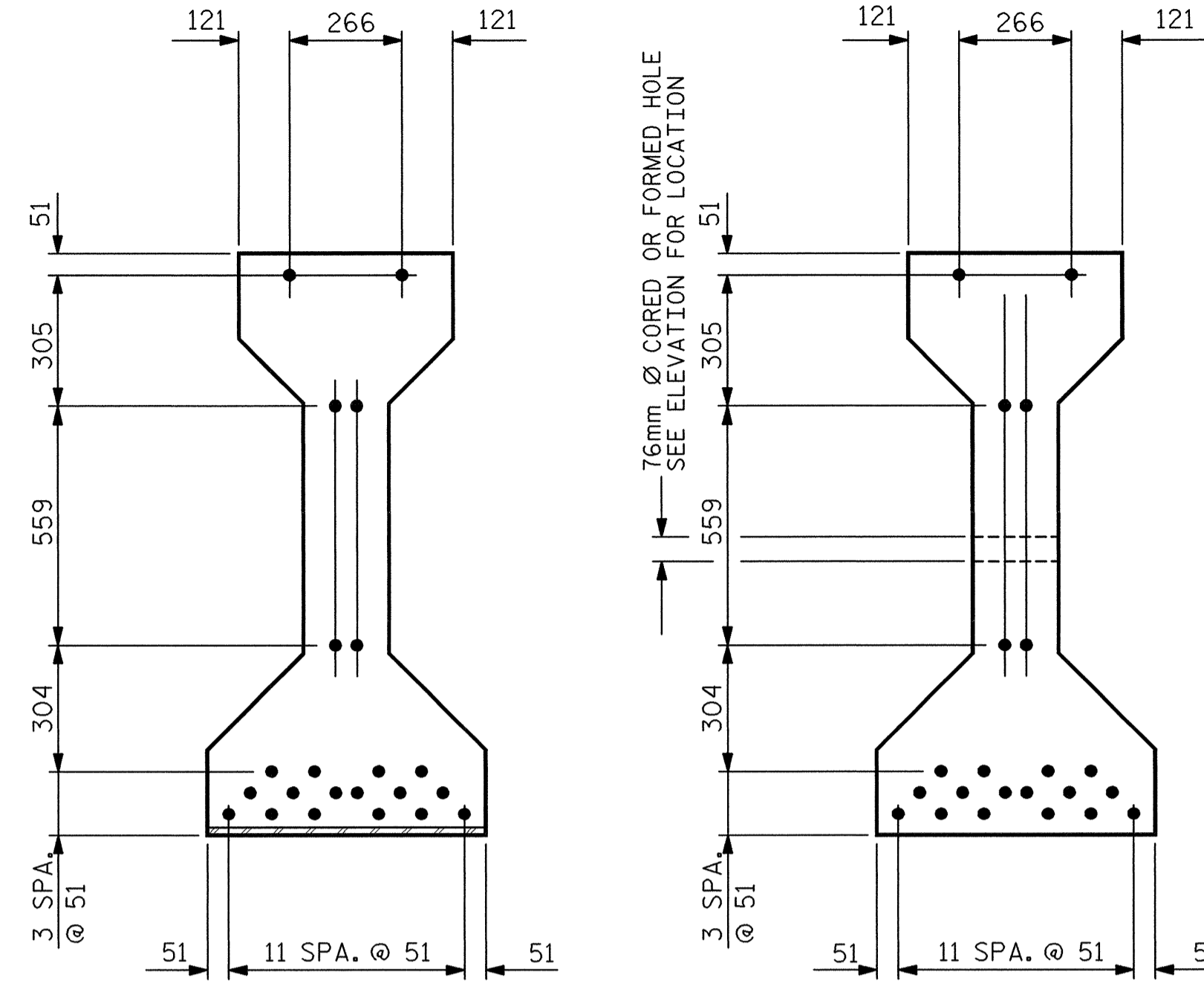


SECTION A-A



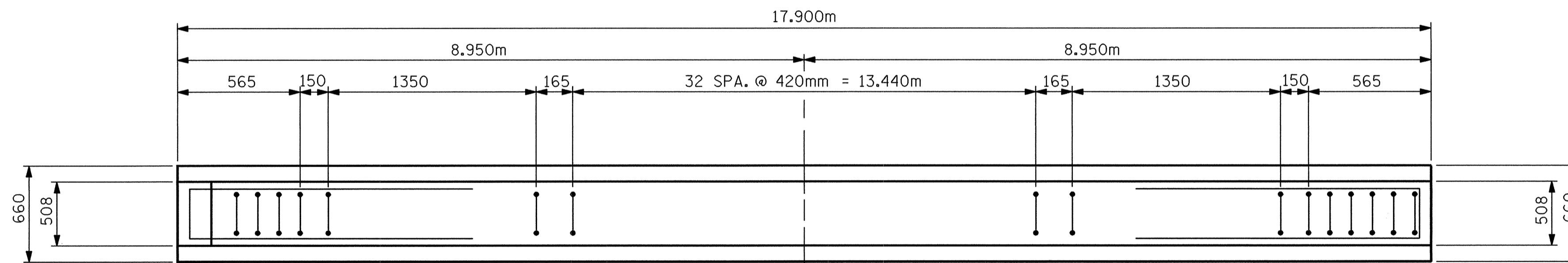
SECTION B-B



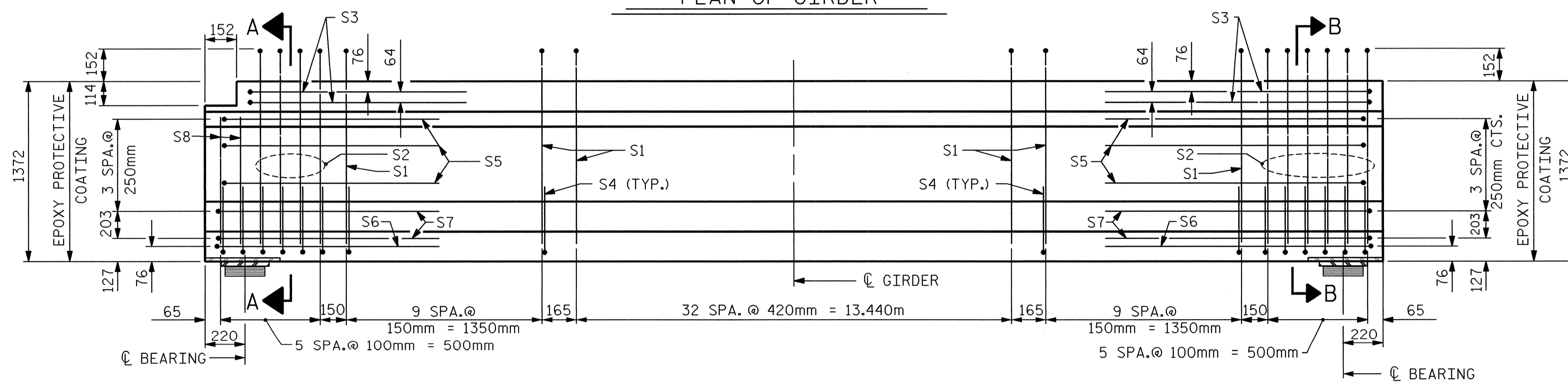
AT END OF GIRDER

AT C OF GIRDER

12.70mm Ø LOW RELAXATION STRAND LAYOUT



PLAN OF GIRDER



ELEVATION OF GIRDER

12.70mm Ø L. R. GRADE 270 STRANDS

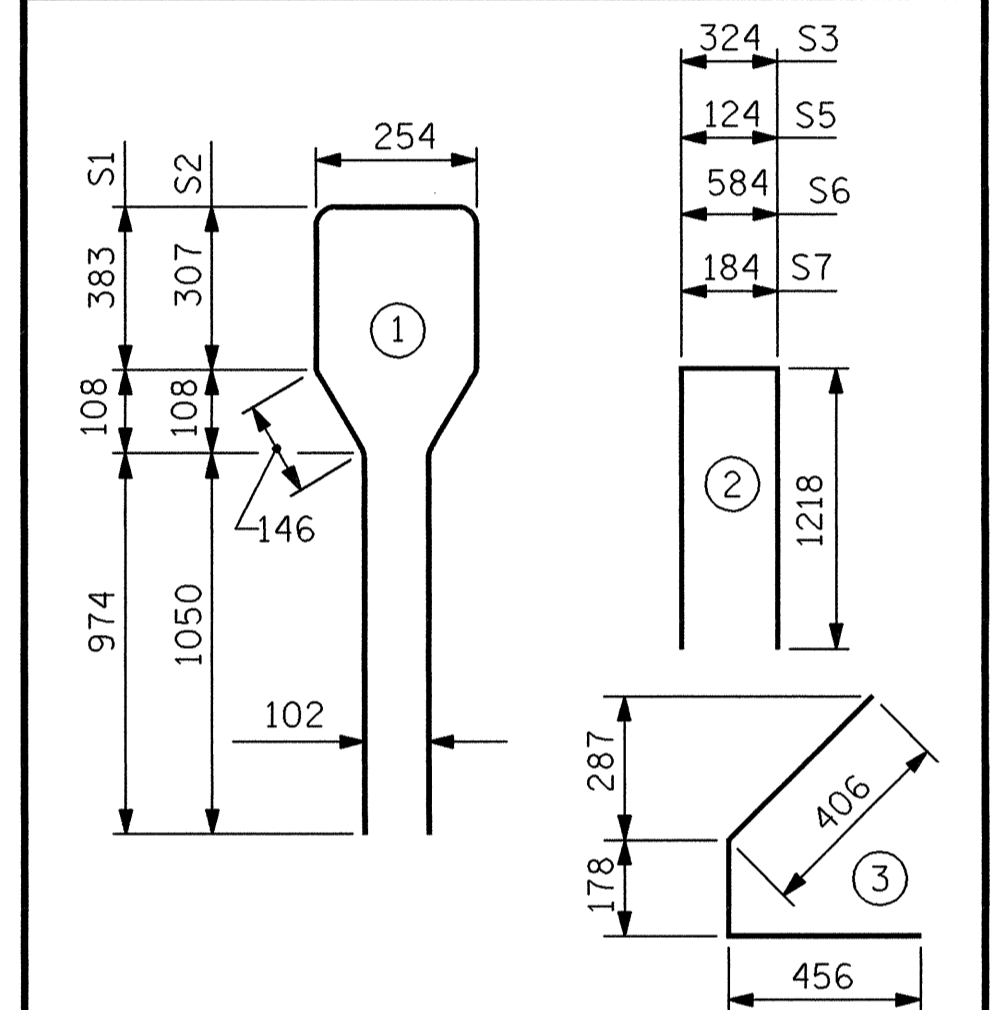
AREA (mm ²)	ULTIMATE STRENGTH (kN PER STRAND)	APPLIED PRESTRESS (kN PER STRAND)
98.71	183.7	137.8

REINFORCING STEEL FOR ONE GDR.

BAR	NUMBER	SIZE	TYPE	LENGTH	WEIGHT
S1	53	#13	1	3260	172
S2	10	#19	1	3260	73
S3	4	#13	2	2760	11
S4	64	#13	3	1040	66
S5	6	#13	2	2560	15
S6	2	#13	2	3020	6
S7	4	#13	2	2620	10
S8	4	#19	STR	1140	10

BAR TYPES

ALL BAR DIMENSIONS ARE OUT-TO-OUT



QUANTITIES FOR ONE GIRDER

	REINFORCING STEEL	37.9 MPa CONCRETE	12.70mm Ø L.R. STRANDS
	kg	m ³	No.
SPAN: "A"	363	9.12	22
SPAN: "J"	363	9.12	22
SPAN: "I"	363	9.12	22

GIRDERS REQUIRED

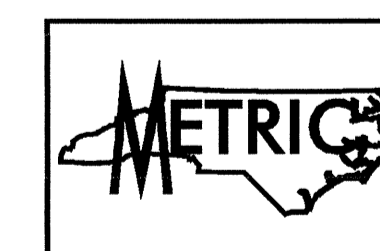
SPAN	NUMBER	LENGTH	TOTAL LENGTH
A	5	17.900m	89.500m
J	5	17.900m	89.500m
I	5	17.900m	89.500m

PROJECT NO. R-252AB

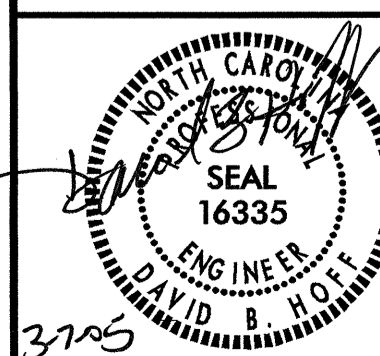
JOHNSTON COUNTY

STATION: 40+96.000 -L- P.O.C.

SHEET 1 OF 5



TRANSYSTEMS CORPORATION
75 Beattie Place, Suite 400
Greenville, SC 29601 (864) 234-0866



STATE OF NORTH CAROLINA
DEPARTMENT OF TRANSPORTATION
RALEIGH

STANDARD

AASHTO TYPE IV
PRESTRESSED CONCRETE GIRDER
SPAN "A", "I" AND "J"
(RIGHT LANE)

REVISIONS				SHEET NO.
NO.	BY:	DATE:	NO.	DATE:
1			3	
2			4	

ASSEMBLED BY : MTB	DATE : 4/03
CHECKED BY : JTD	DATE : 4/03
DRAWN BY : JMB 10/87	REV. 5/16/97 EEM/RGW
CHECKED BY : GRP 10/87	REV. 7/17/98 RWW/LES
	REV. 8/16/99 RWW/LES

DWG. NO.	TOTAL
19	64