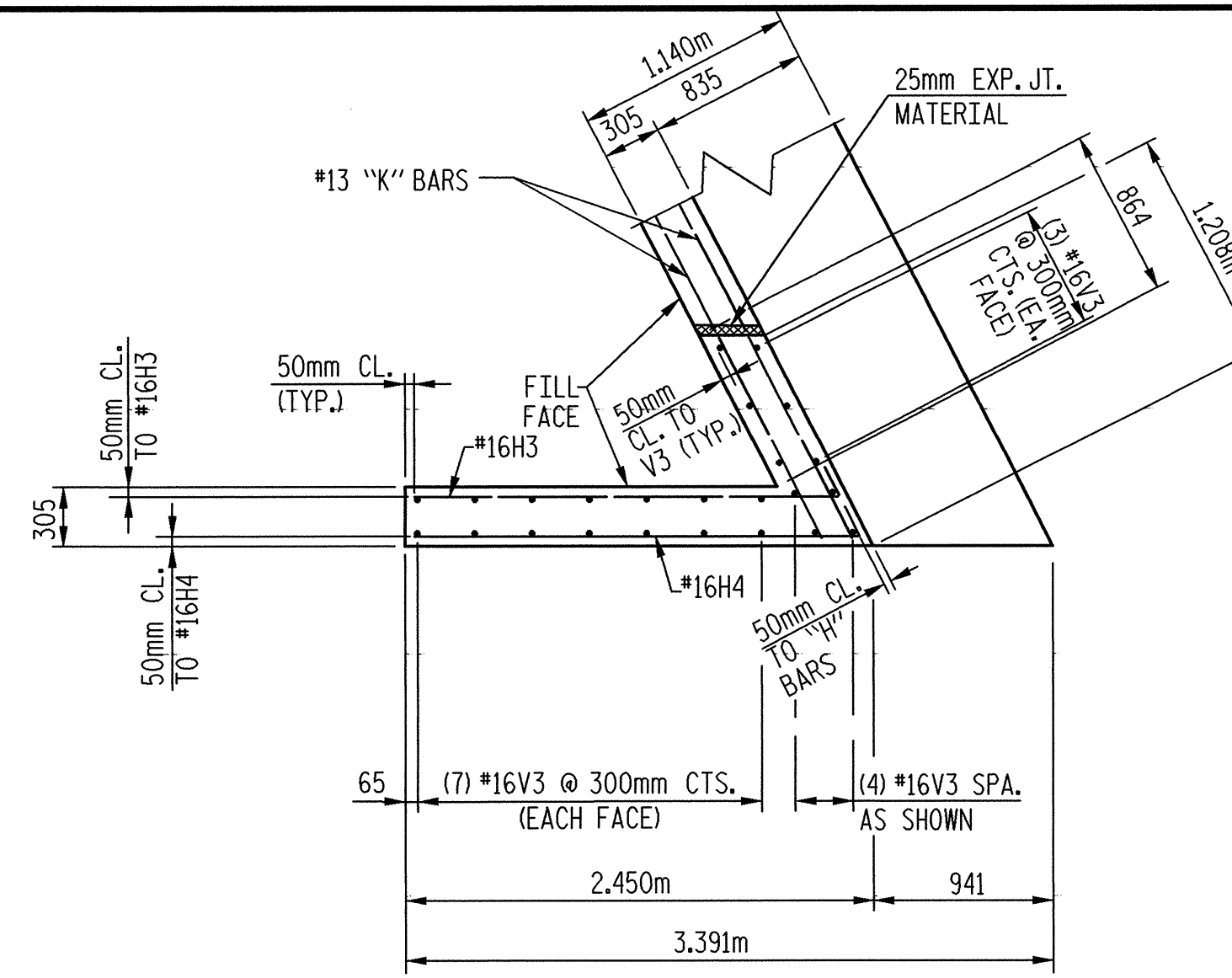
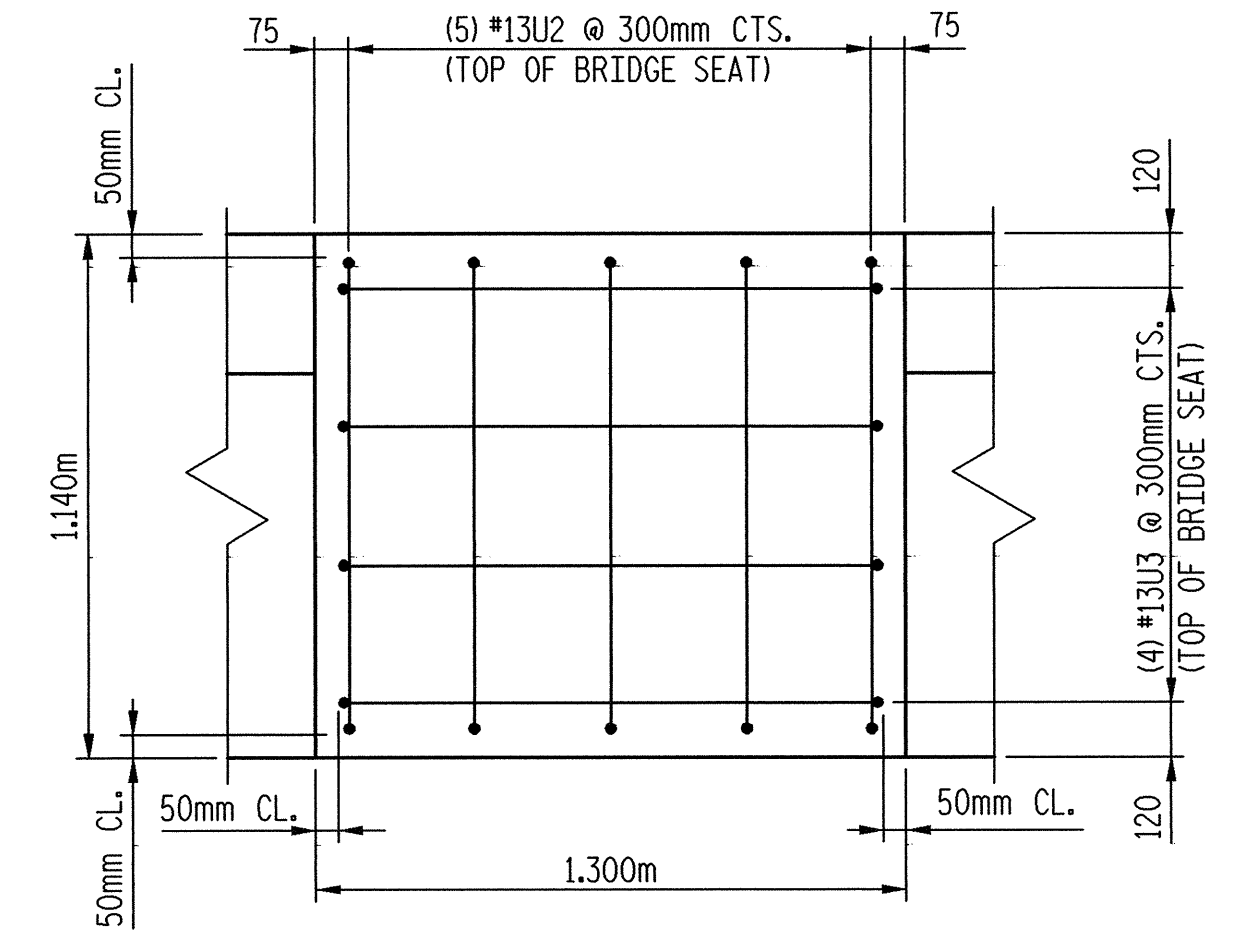


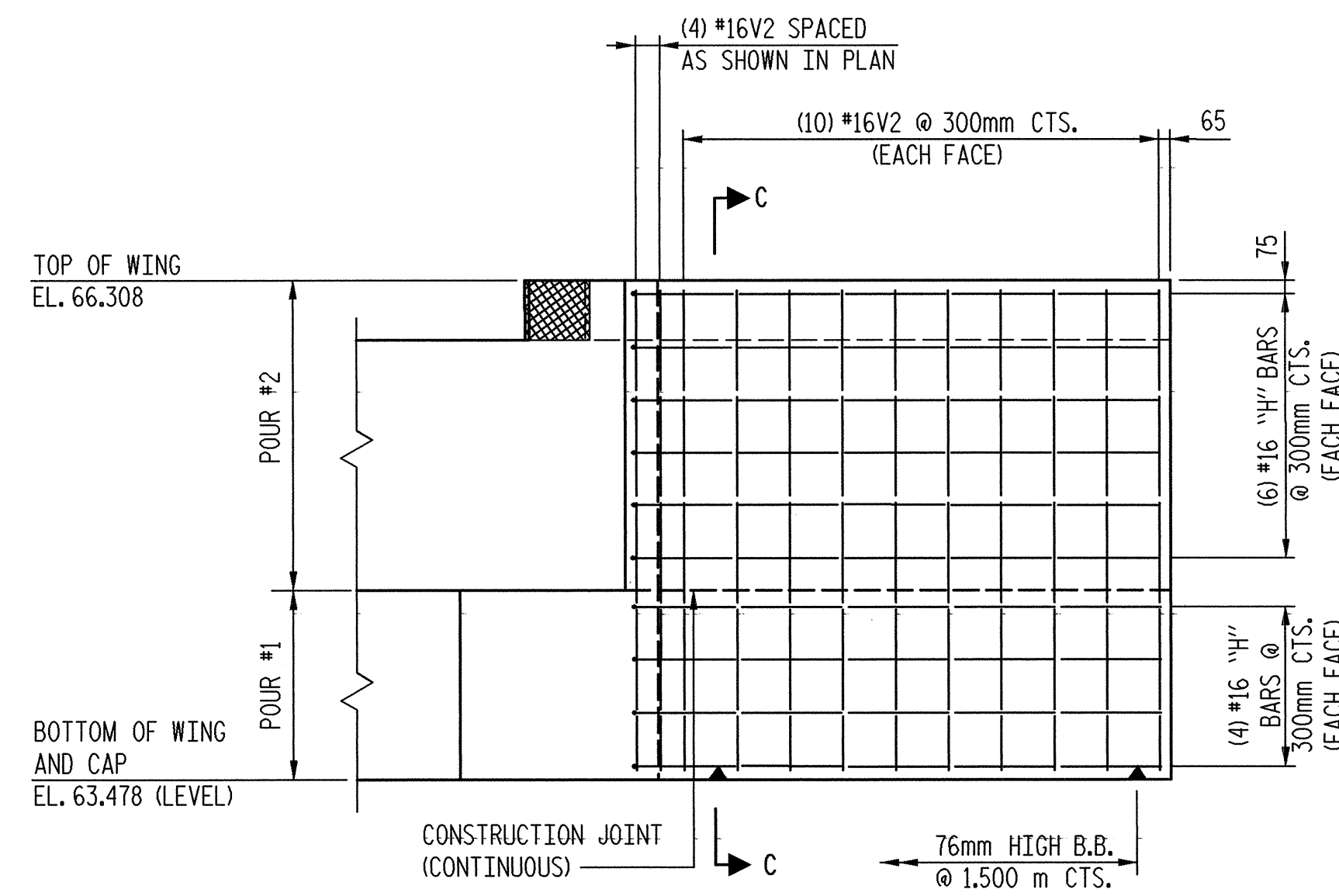
PLAN WING - W1



PLAN WING - W2

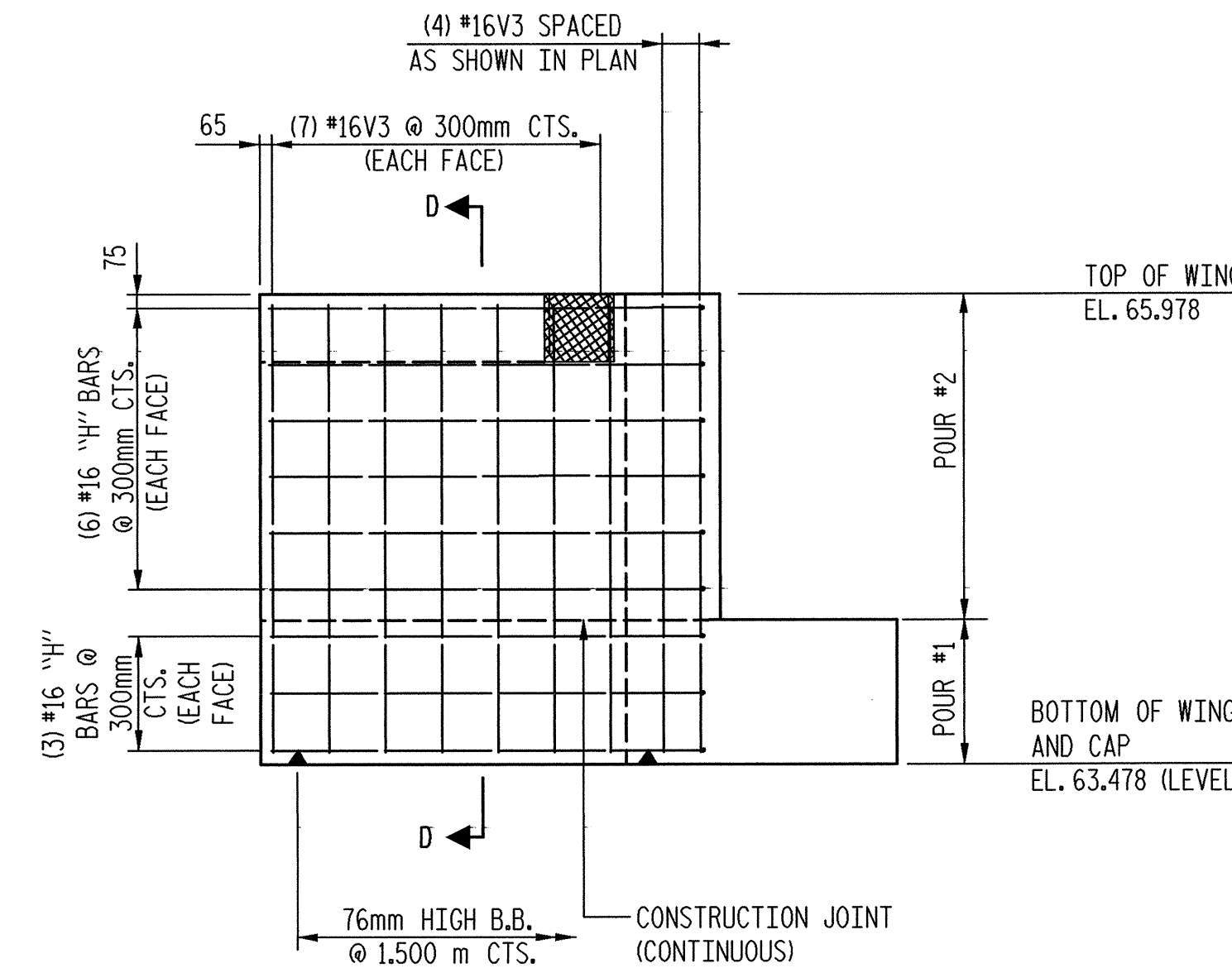


BRIDGE SEAT REINFORCEMENT



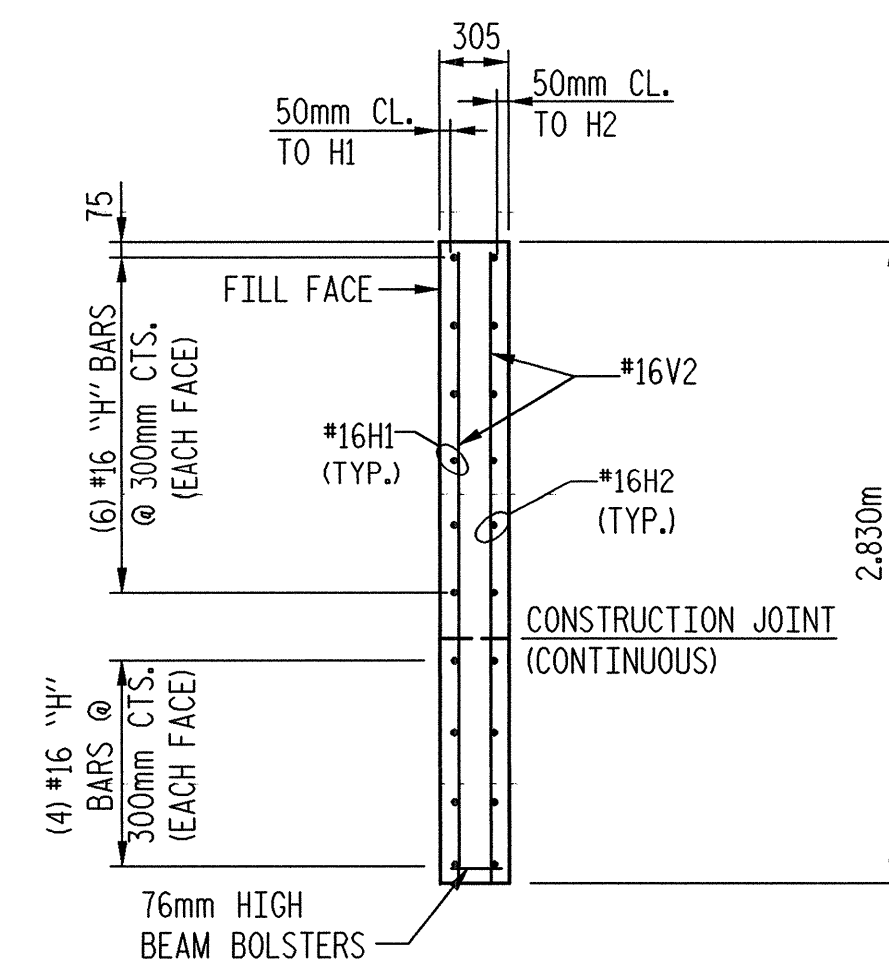
ELEVATION WING - W1

\*\* PLACE #16 "H" BARS TO MATCH #16 "K" BARS IN BACKWALL

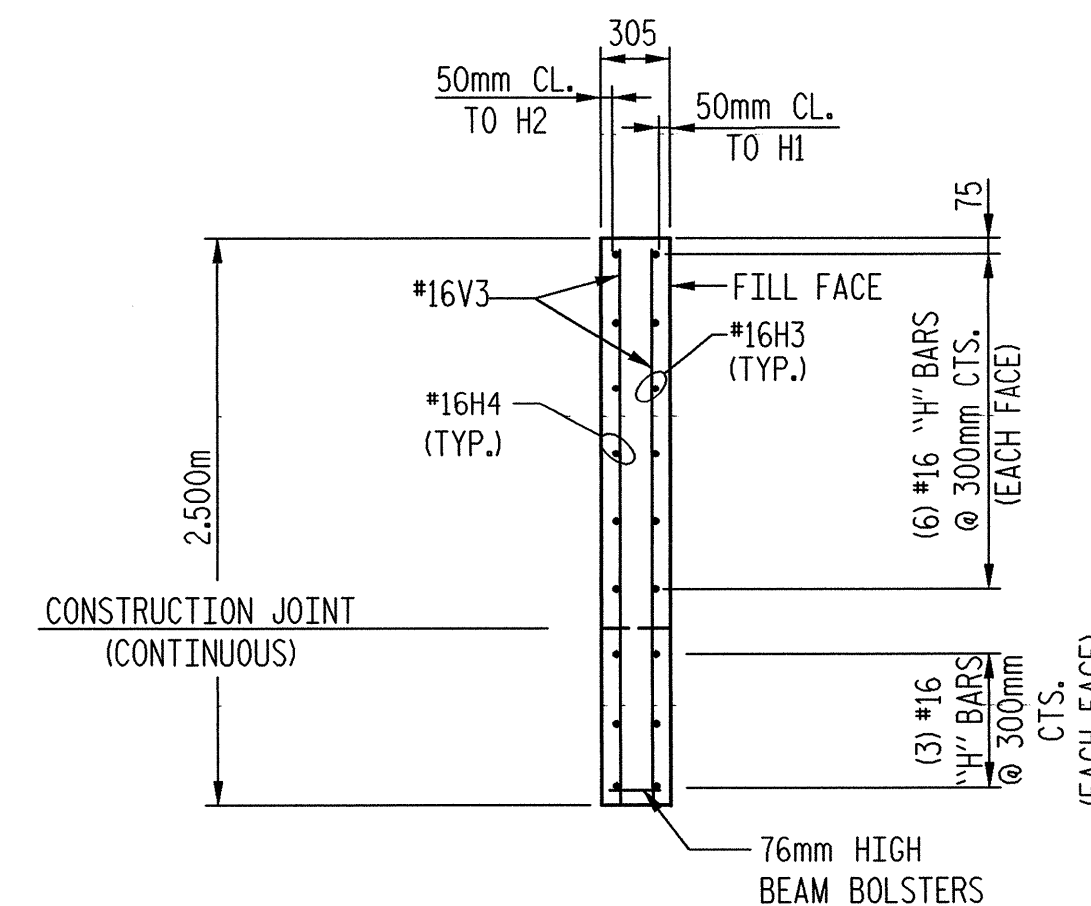


ELEVATION WING - W2

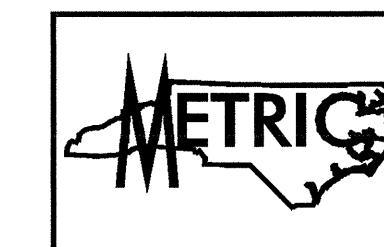
\*\* PLACE #16 "H" BARS TO MATCH #16 "K" BARS IN BACKWALL



SECTION "C"

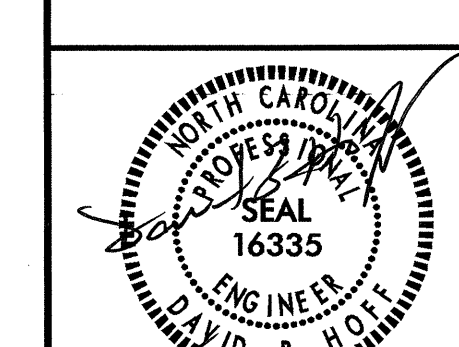


SECTION "D"



PROJECT NO. R-2552AB  
 JOHNSTON COUNTY  
 STATION: 40+96.000 -L- P.O.C.  
 SHEET 2 OF 3

TRANSYSTEMS CORPORATION  
 75 Beattie Place, Suite 400  
 Greenville, SC 29601 (864) 234-0866



STATE OF NORTH CAROLINA  
 DEPARTMENT OF TRANSPORTATION  
 RALEIGH  
 SUBSTRUCTURE  
 END BENT #1  
 DETAILS  
 (RIGHT LANE)

REVISIONS						SHEET NO.
NO.	BY:	DATE:	NO.	BY:	DATE:	
1			3			5-30e
2			4			TOTAL SHEETS 42/47

DRAWN BY: M.L. MARLEY DATE: 1/17/02  
 CHECKED BY: D.B. HOFF DATE: 12/25/00

g:\G\04\0125\Brdg\Str\rel\Right (EBL)\Final\Endbent1(ebl).dgn  
 3/4/2005  
 2:59:42 PM