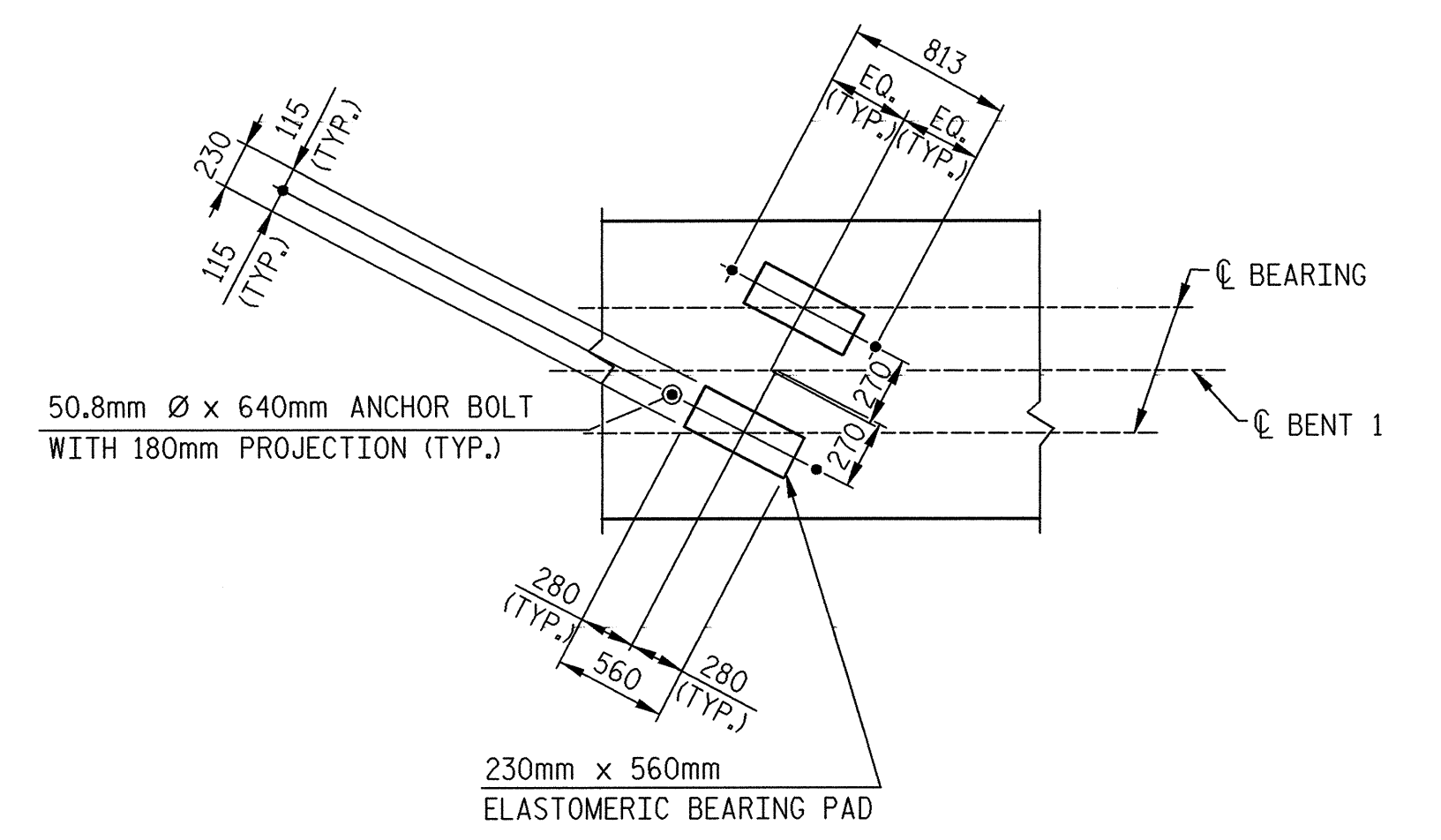


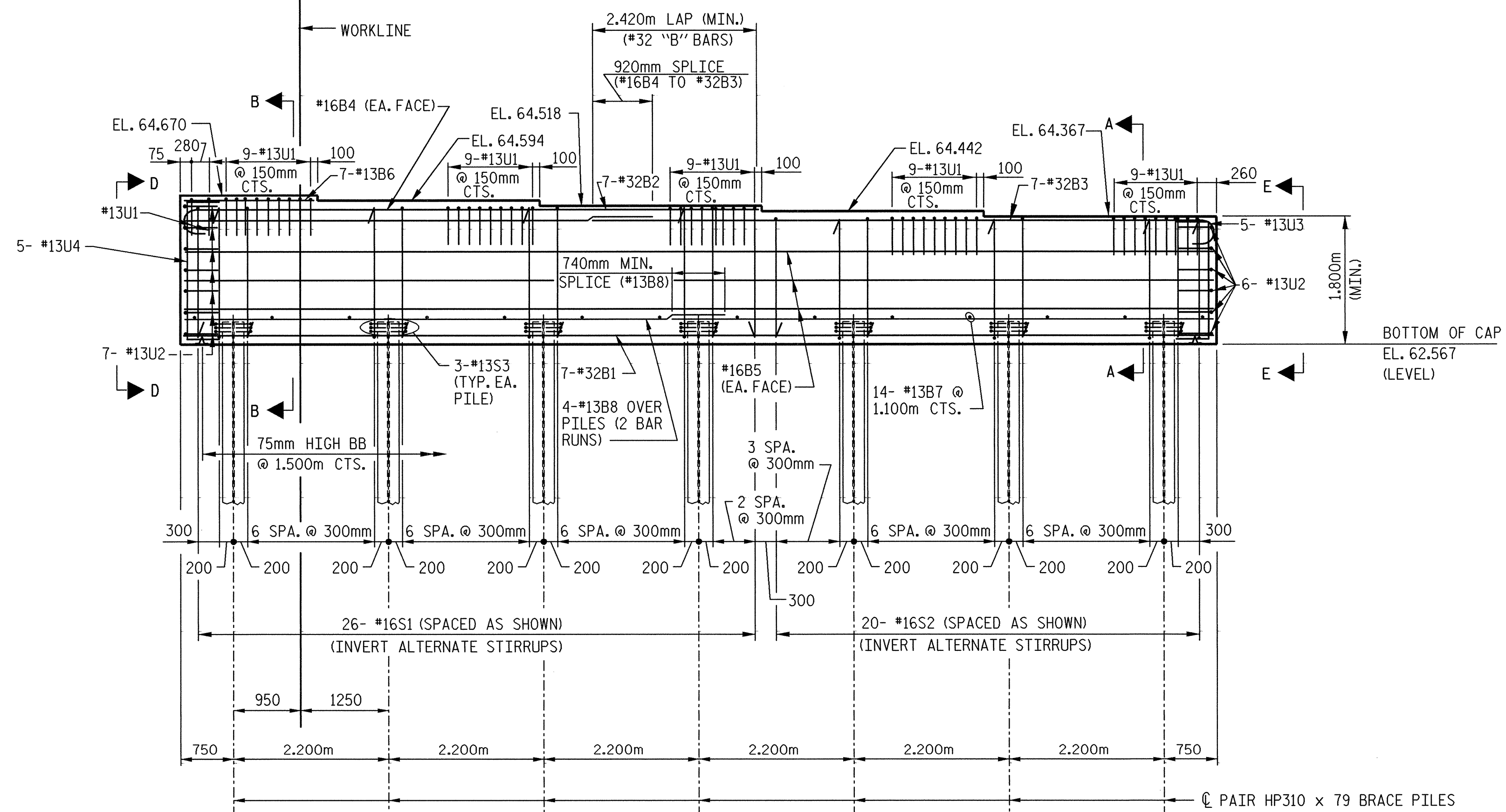
PLAN OF CAP

NOTES:

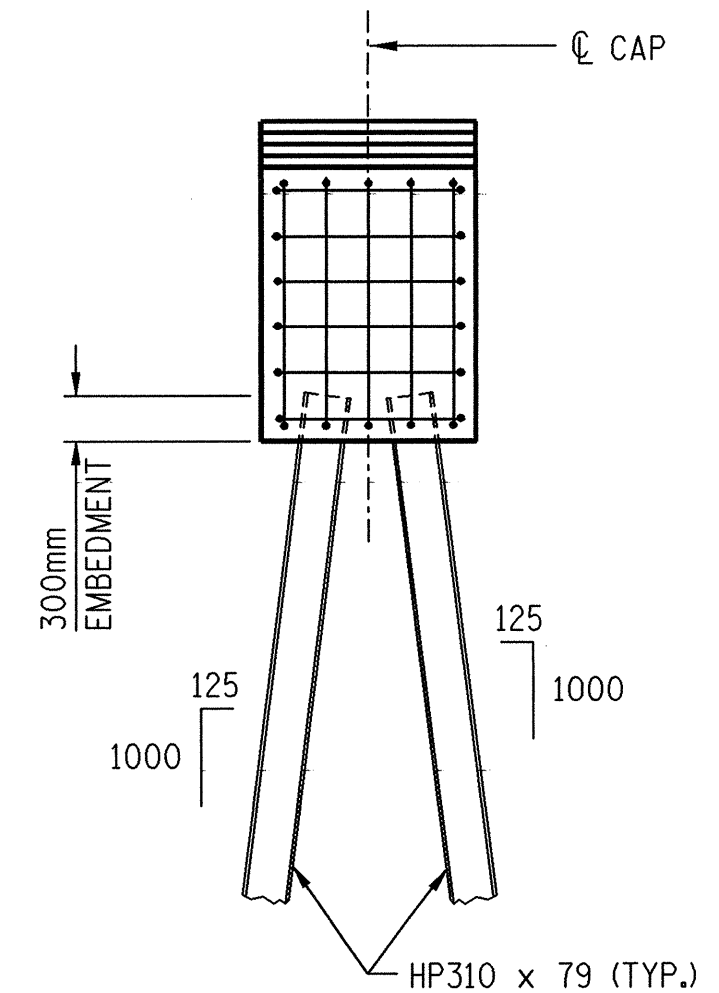
STIRRUPS AND "U" BARS IN CAP MAY BE SHIFTED SLIGHTLY AS NECESSARY TO CLEAR ANCHOR BOLTS.
 FOR PILE SPLICE DETAILS, SEE SHEET 2 OF 2.
 FOR EPOXY PROTECTIVE COATING, SEE SPECIAL PROVISIONS.



DETAIL 'A'

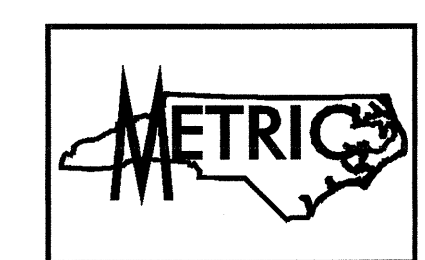


ELEVATION

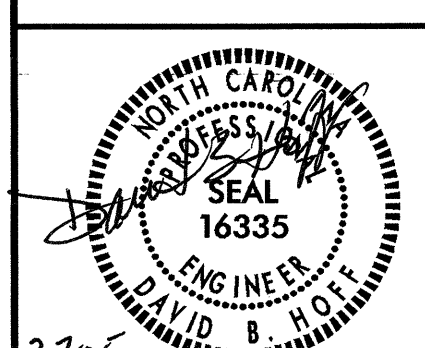


END ELEVATION

PROJECT NO. R-2552AB
 JOHNSTON COUNTY
 STATION: 40+96.00 -L- P.O.C.
 SHEET 1 OF 2



TRANSYSTEMS CORPORATION
 75 Beattie Place, Suite 400
 Greenville, SC 29601 (864) 234-0866



STATE OF NORTH CAROLINA DEPARTMENT OF TRANSPORTATION RALEIGH					
SUBSTRUCTURE BENT #1 PLAN AND ELEVATION (RIGHT LANE)					
REVISIONS					
NO.	BY:	DATE:	NO.	BY:	DATE:
1			3		
2			4		
SHEET NO.					S-370
TOTAL SHEETS					429

DRAWN BY: J. C. PENDERGRAFT DATE: 7/01
 CHECKED BY: J.T. DIFFEE DATE: 2/02

g:\v04\0125\Bridg\Stret\Right\EBL\Final\Bent1(ebl).dgn
 3/4/2005
 3:08:40 PM