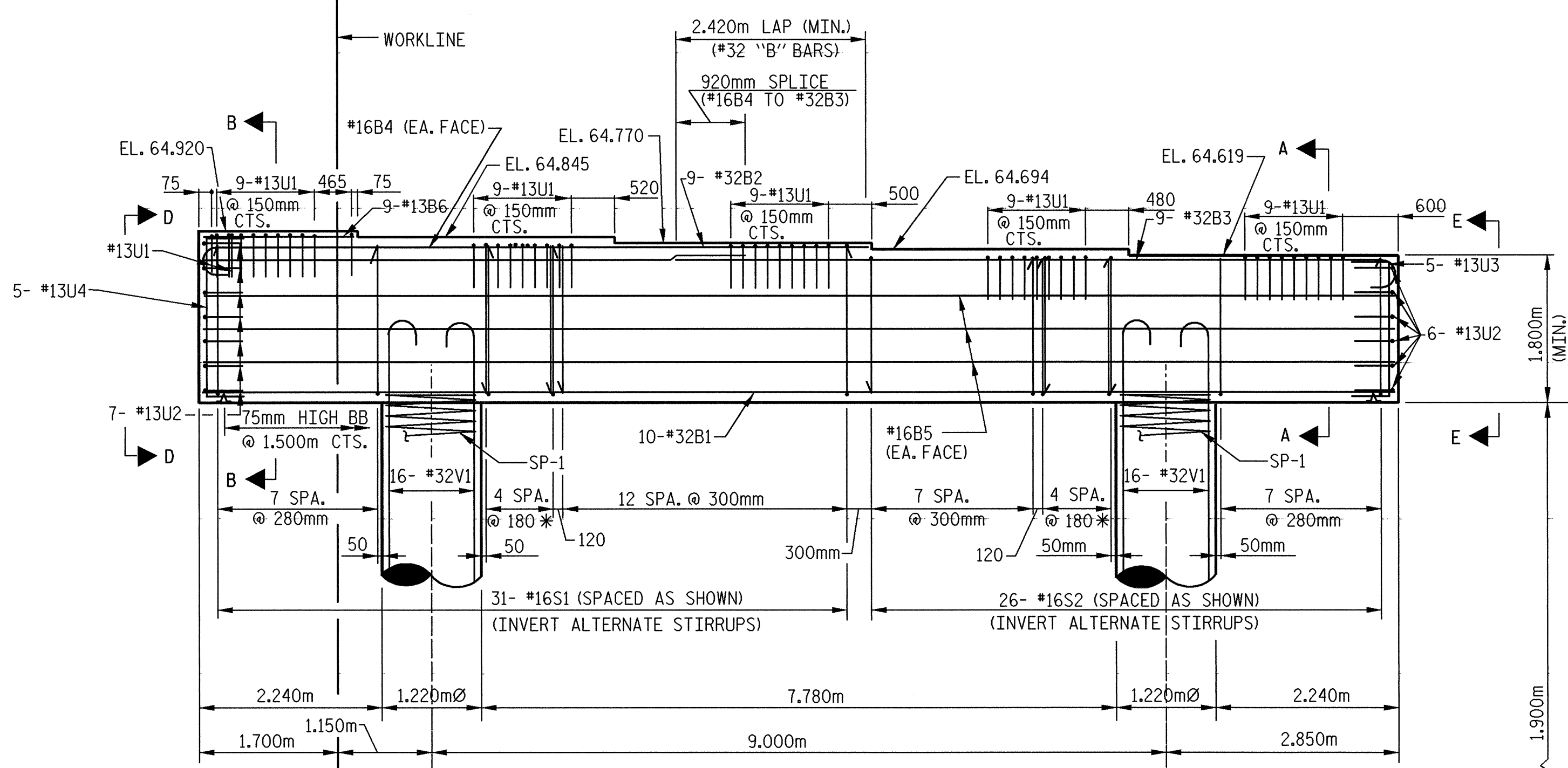
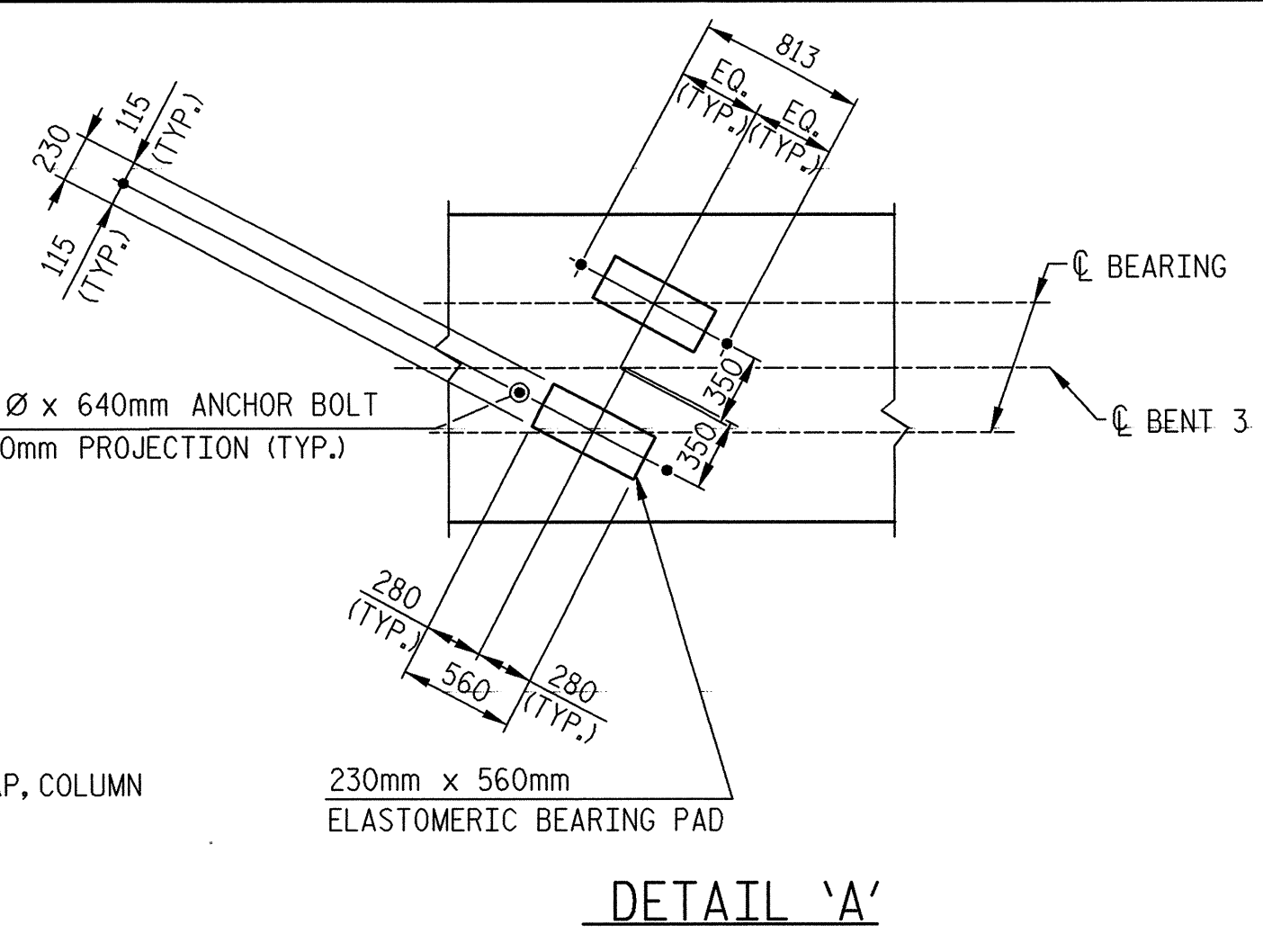


PLAN OF CAP

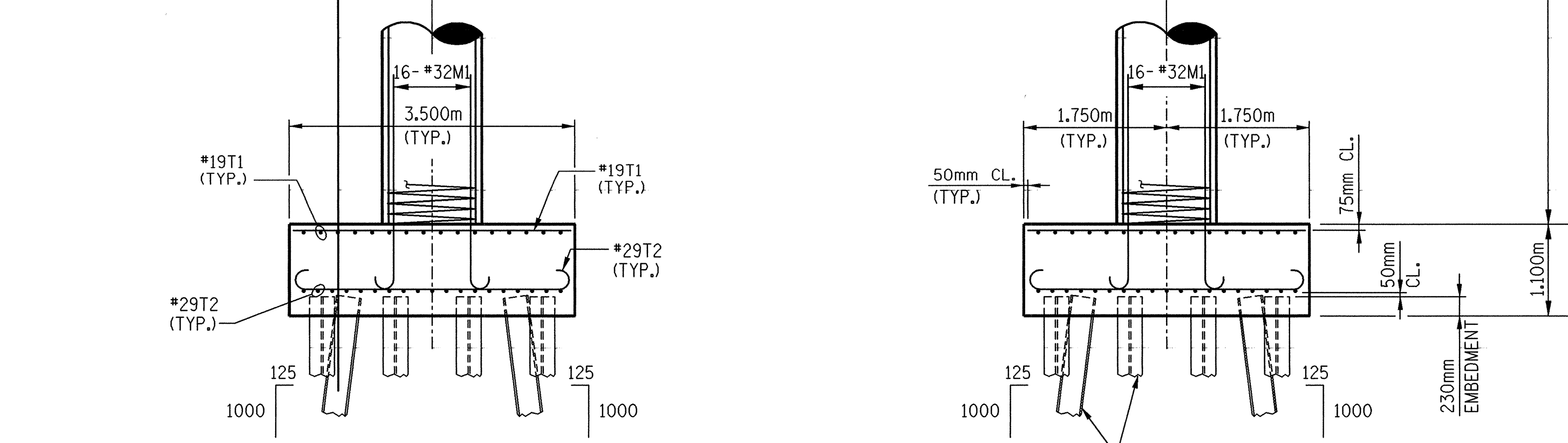


ELEVATION

*BUNDLED PAIRS OF #16 STIRRUPS



DETAIL 'A'

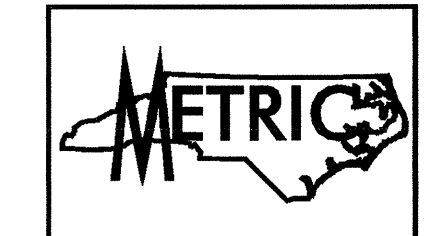
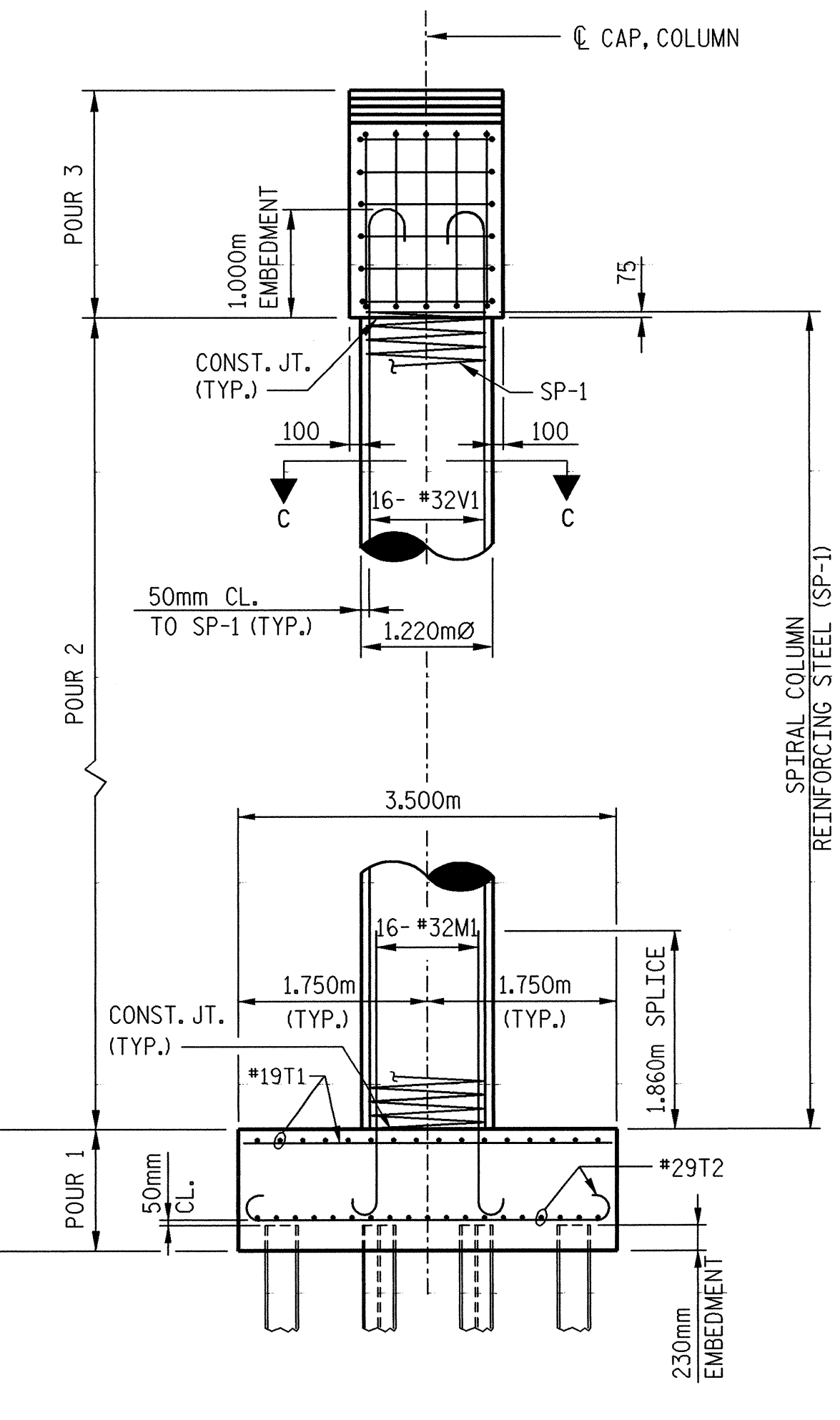


END ELEVATION

DRAWN BY : J. C. PENDERGRAFT DATE : 7/01
 CHECKED BY : J.T. DIFFEE DATE : 2/02

NOTES:

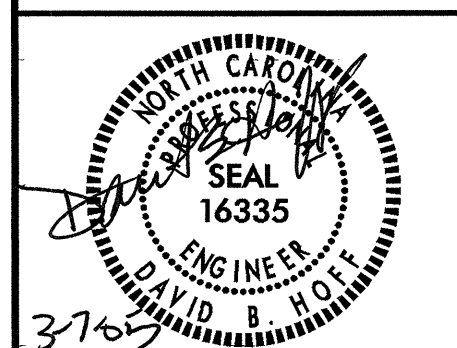
HOOKS ON "V" BARS MAY BE TURNED AS NECESSARY FOR PLACING REINFORCING STEEL.
 STIRRUPS AND "U" BARS IN CAP MAY BE SHIFTED SLIGHTLY AS NECESSARY TO CLEAR ANCHOR BOLTS.



PROJECT NO. R-2552AB
 JOHNSTON COUNTY
 STATION: 40+96.00 -L- P.O.C.

SHEET 1 OF 2

TRANSYSTEMS CORPORATION
 75 Beattie Place, Suite 400
 Greenville, SC 29601 (864) 234-0866



STATE OF NORTH CAROLINA
 DEPARTMENT OF TRANSPORTATION
 RALEIGH
 SUBSTRUCTURE
 BENT #3
 PLAN AND ELEVATION
 (RIGHT LANE)

REVISIONS						SHEET NO.	
NO.	BY:	DATE:	NO.	BY:	DATE:	5-374	
1			3			TOTAL SHEETS	
2			4			429	

g:\v04\0125\Bridges\Strut\Right (EBL)\Final\Bent3(ebl).dgn
 3/4/2005
 3:20:43 PM