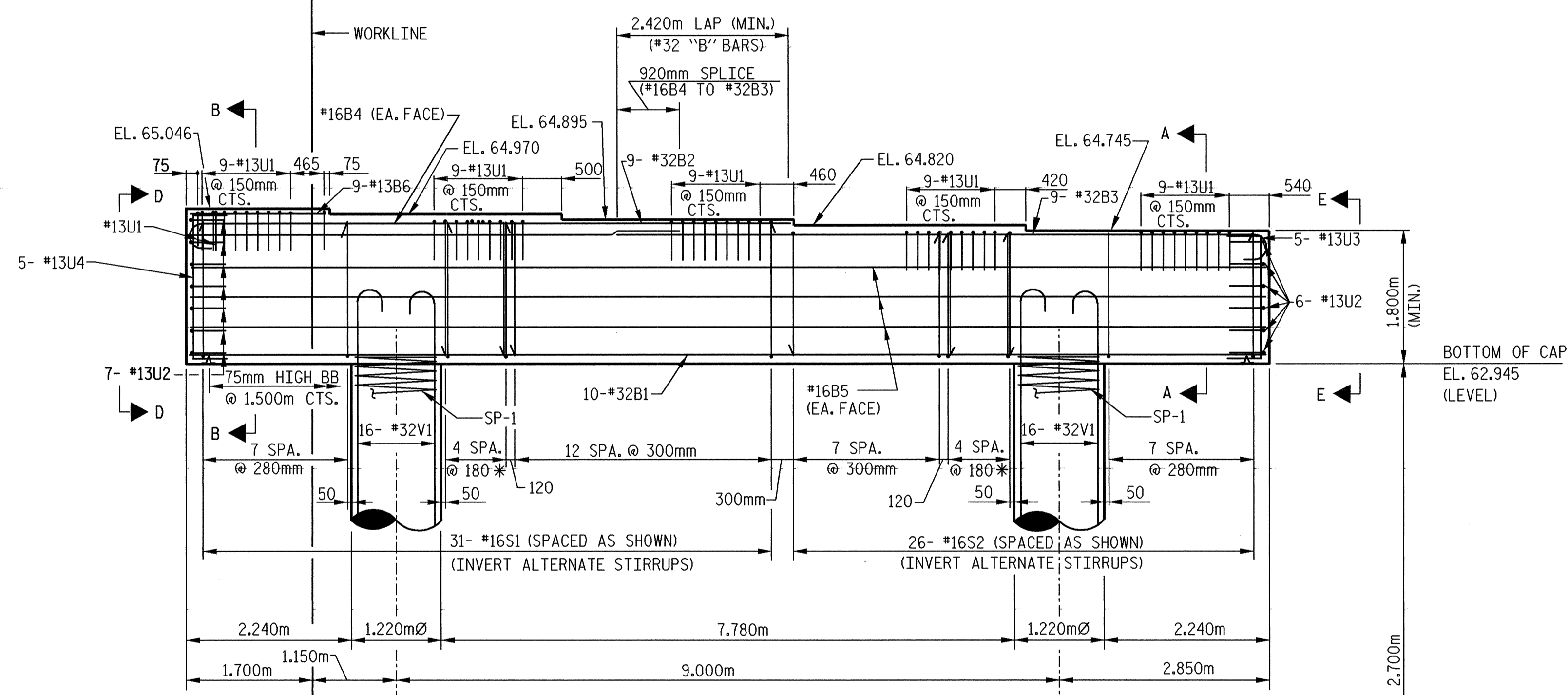
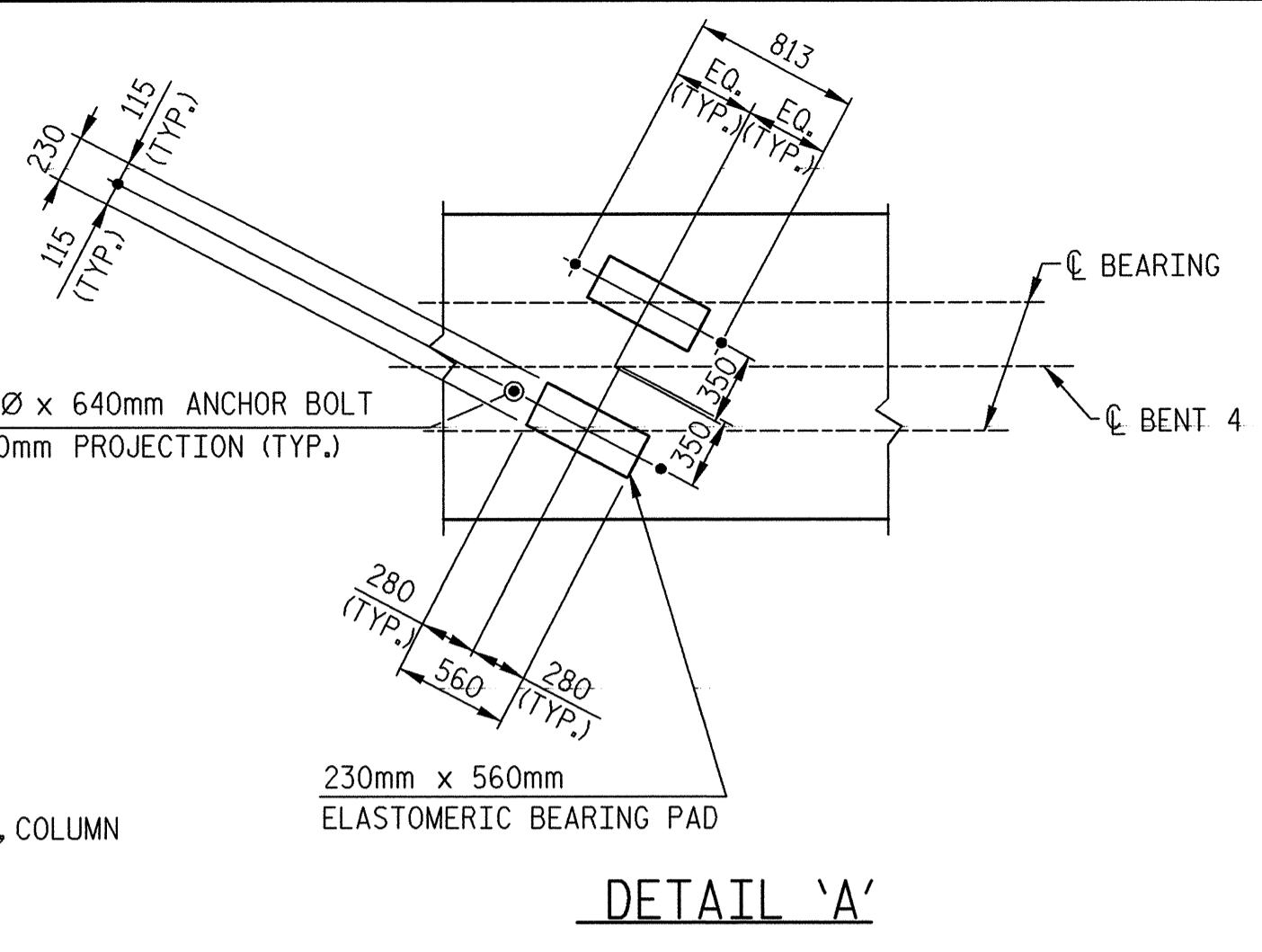


PLAN OF CAP



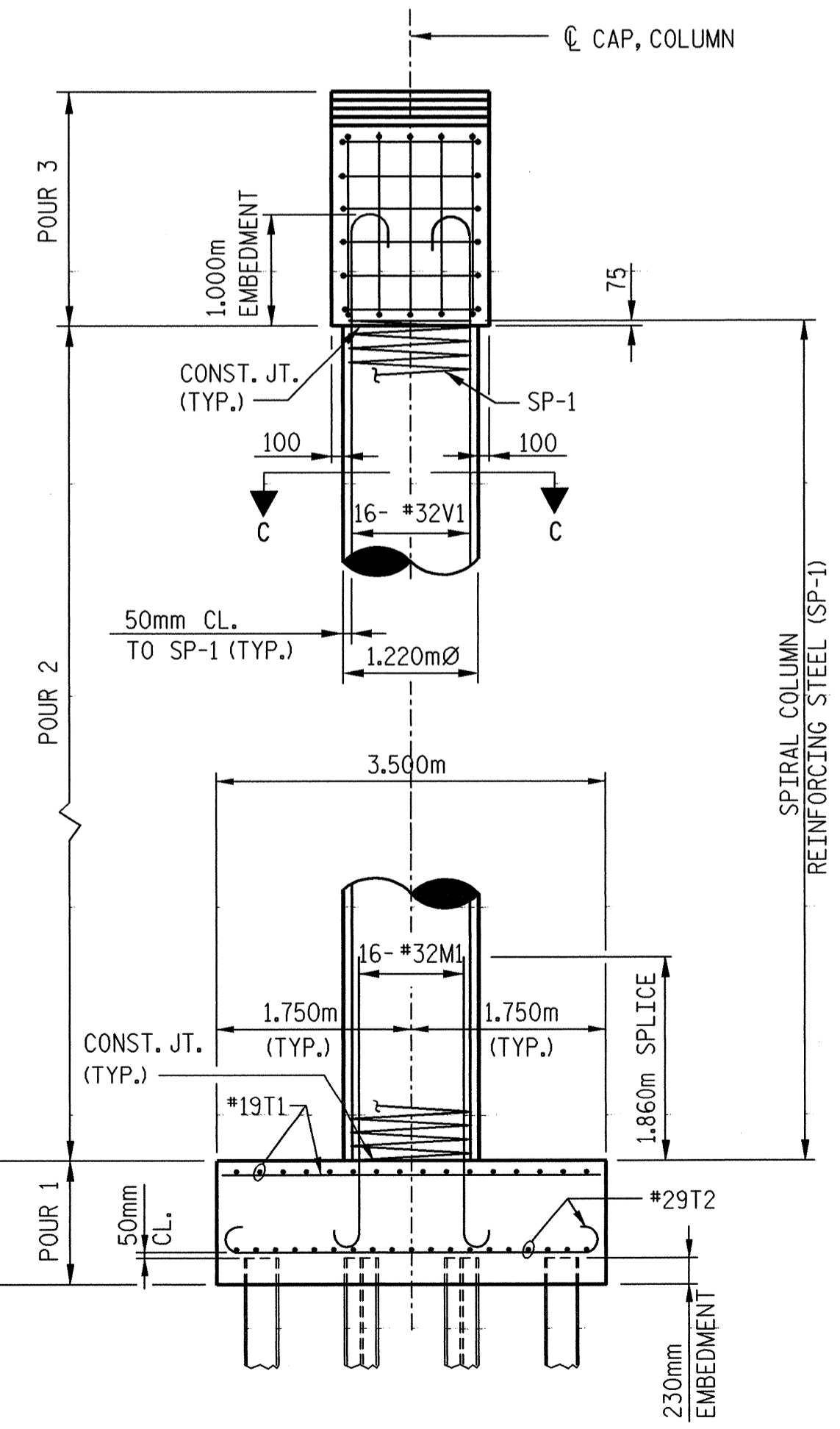
ELEVATION

\* BUNDLED PAIRS OF #16 STIRRUPS



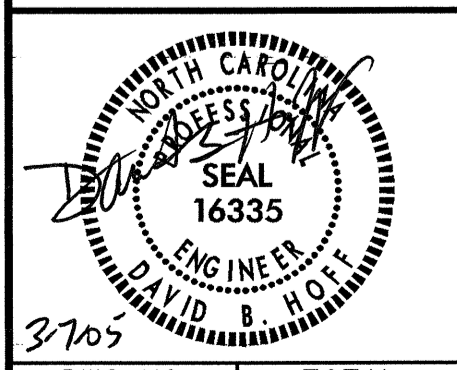
NOTES:

HOOKS ON "V" BARS MAY BE TURNED AS NECESSARY FOR PLACING REINFORCING STEEL.  
STIRRUPS AND "U" BARS IN CAP MAY BE SHIFTED SLIGHTLY AS NECESSARY TO CLEAR ANCHOR BOLTS.



PROJECT NO. R-2552AB  
JOHNSTON COUNTY  
STATION: 40+96.00 -L- P.O.C.  
SHEET 1 OF 2

TRANSYSTEMS CORPORATION  
75 Battie Place, Suite 400  
Greenville, SC 29601 (864) 234-0866



STATE OF NORTH CAROLINA  
DEPARTMENT OF TRANSPORTATION  
RALEIGH  
SUBSTRUCTURE  
BENT #4  
PLAN AND ELEVATION  
(RIGHT LANE)

REVISIONS						SHEET NO.
NO.	BY:	DATE:	NO.	BY:	DATE:	
1			3			5-376
2			4			TOTAL SHEETS 479

DRAWN BY: J. C. PENDERGRAFT DATE: 7/01  
CHECKED BY: J.T. DIFEE DATE: 2/02

DWG. NO. 45 TOTAL 64

G:\C\04\0125\Bridg\St\el\Right (EBU)\Final\Bent#4(ebl).dgn  
 3/17/2005  
 3:23:03 PM