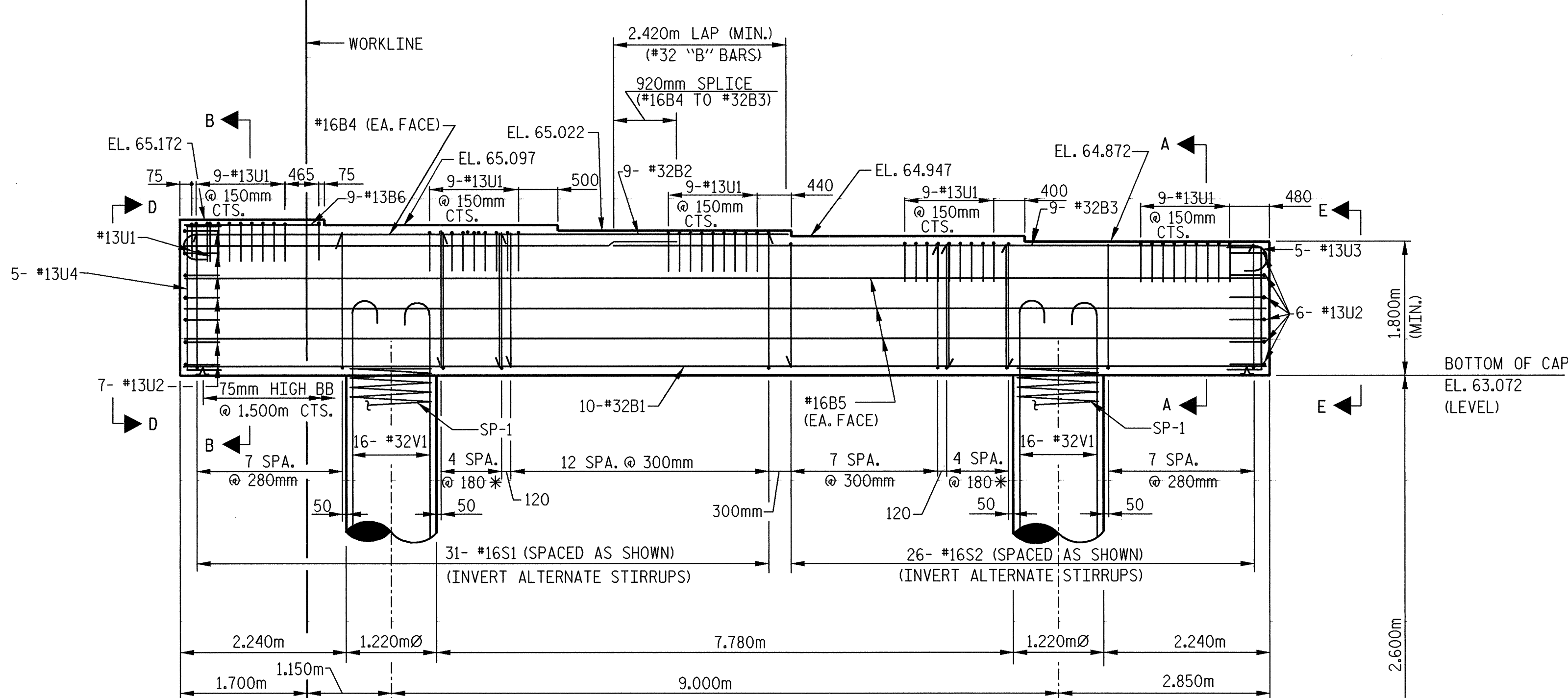
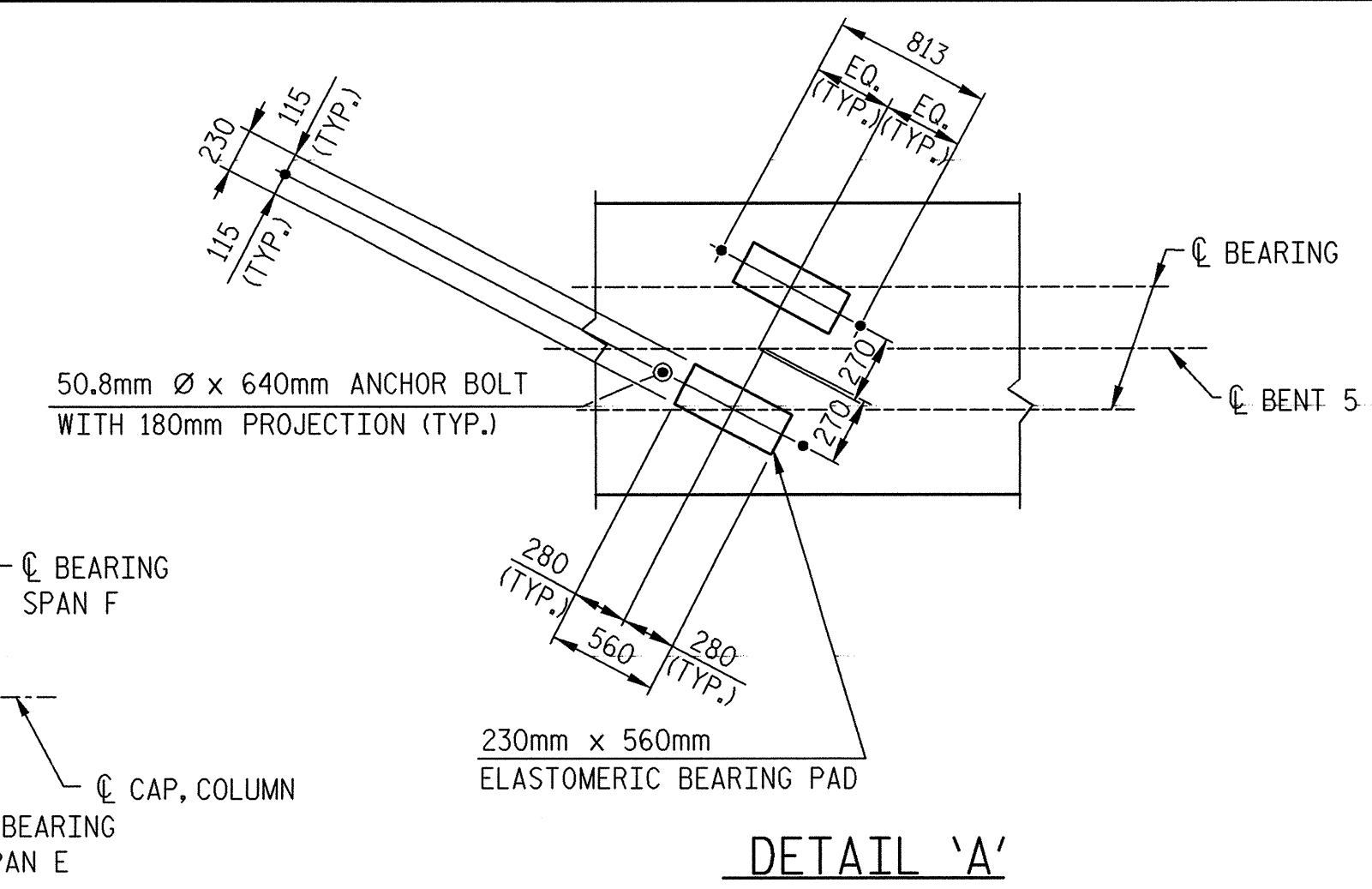


PLAN OF CAP

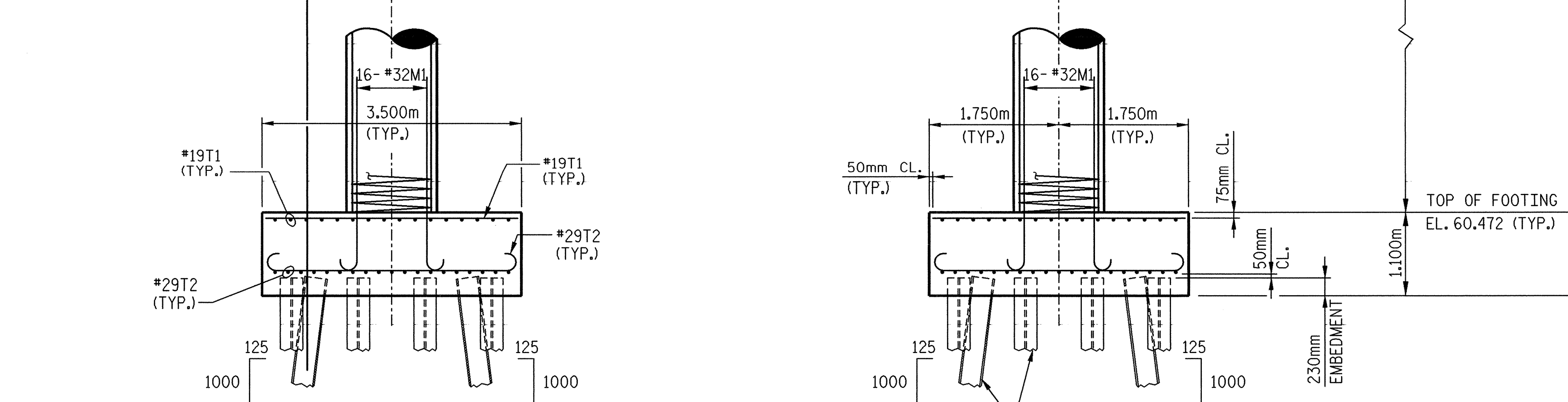


ELEVATION

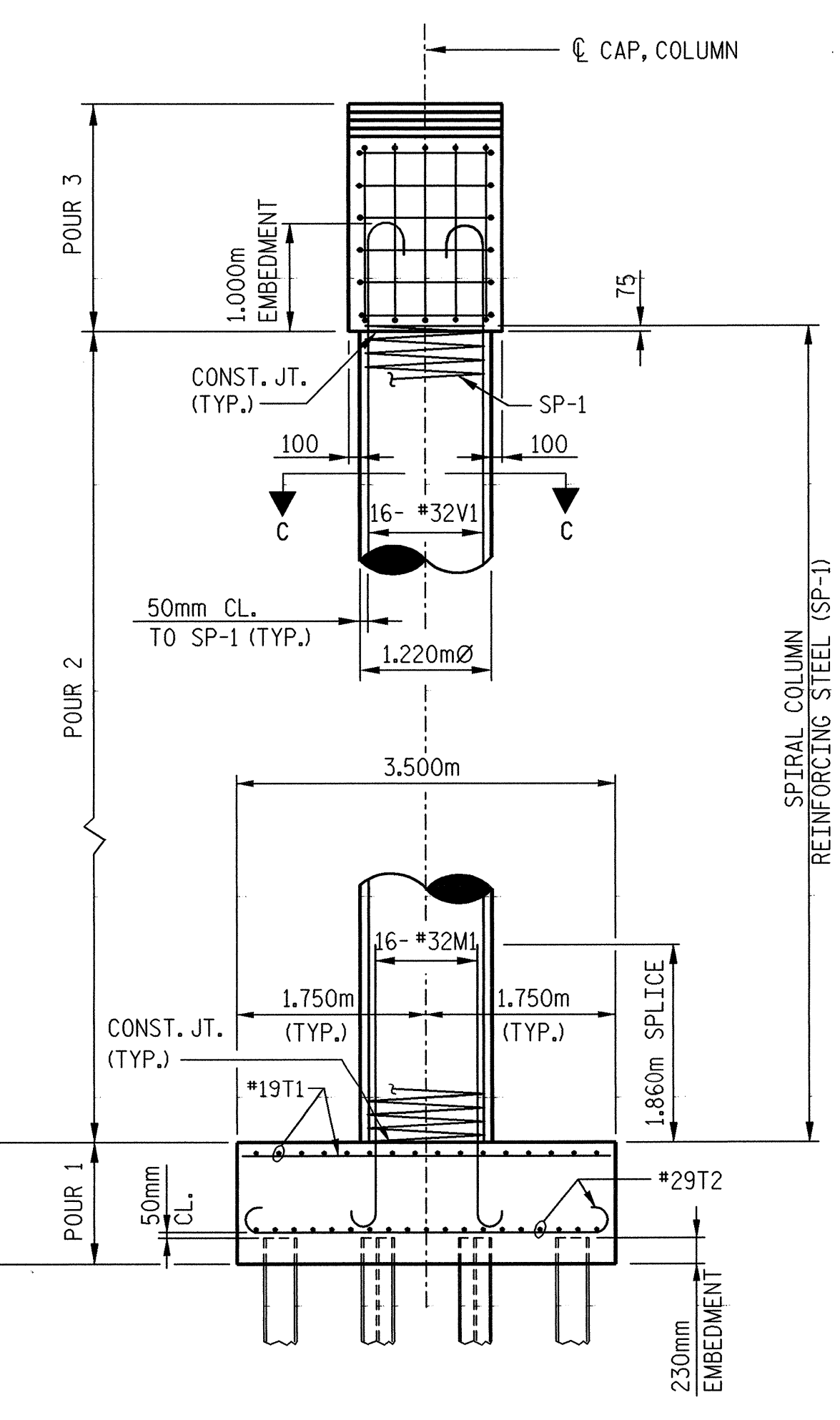
*BUNDLED PAIRS OF #16 STIRRUPS



DETAIL 'A'

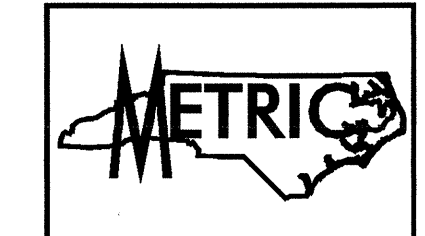


END ELEVATION



NOTES:

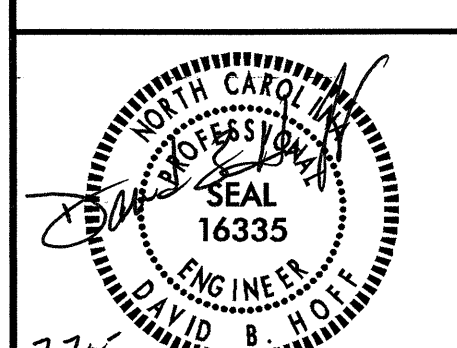
- HOOKS ON "V" BARS MAY BE TURNED AS NECESSARY FOR PLACING REINFORCING STEEL.
- STIRRUPS AND "U" BARS IN CAP MAY BE SHIFTED SLIGHTLY AS NECESSARY TO CLEAR ANCHOR BOLTS.
- FOR EPOXY PROTECTIVE COATING, SEE SPECIAL PROVISIONS.



PROJECT NO. R-2552AB
 JOHNSTON COUNTY
 STATION: 40+96.00 -L- P.O.C.

SHEET 1 OF 2

TRANSYSTEMS CORPORATION
 75 Beattie Place, Suite 400
 Greenville, SC 29601 (864) 234-0866



STATE OF NORTH CAROLINA
 DEPARTMENT OF TRANSPORTATION
 RALEIGH
 SUBSTRUCTURE
 BENT #5
 PLAN AND ELEVATION
 (RIGHT LANE)

REVISIONS						SHEET NO.
NO.	BY:	DATE:	NO.	BY:	DATE:	
1			3			5-378
2			4			TOTAL SHEETS 427

DRAWN BY: J. C. PENDERGRAFT DATE: 7/01
 CHECKED BY: J.T. DIFFEE DATE: 2/02

g:\civ04\0125\Bridg\Strel\Right (EBU)\Final\Bent#5(ebl).dgn
 3/4/2005
 3:24:39 PM