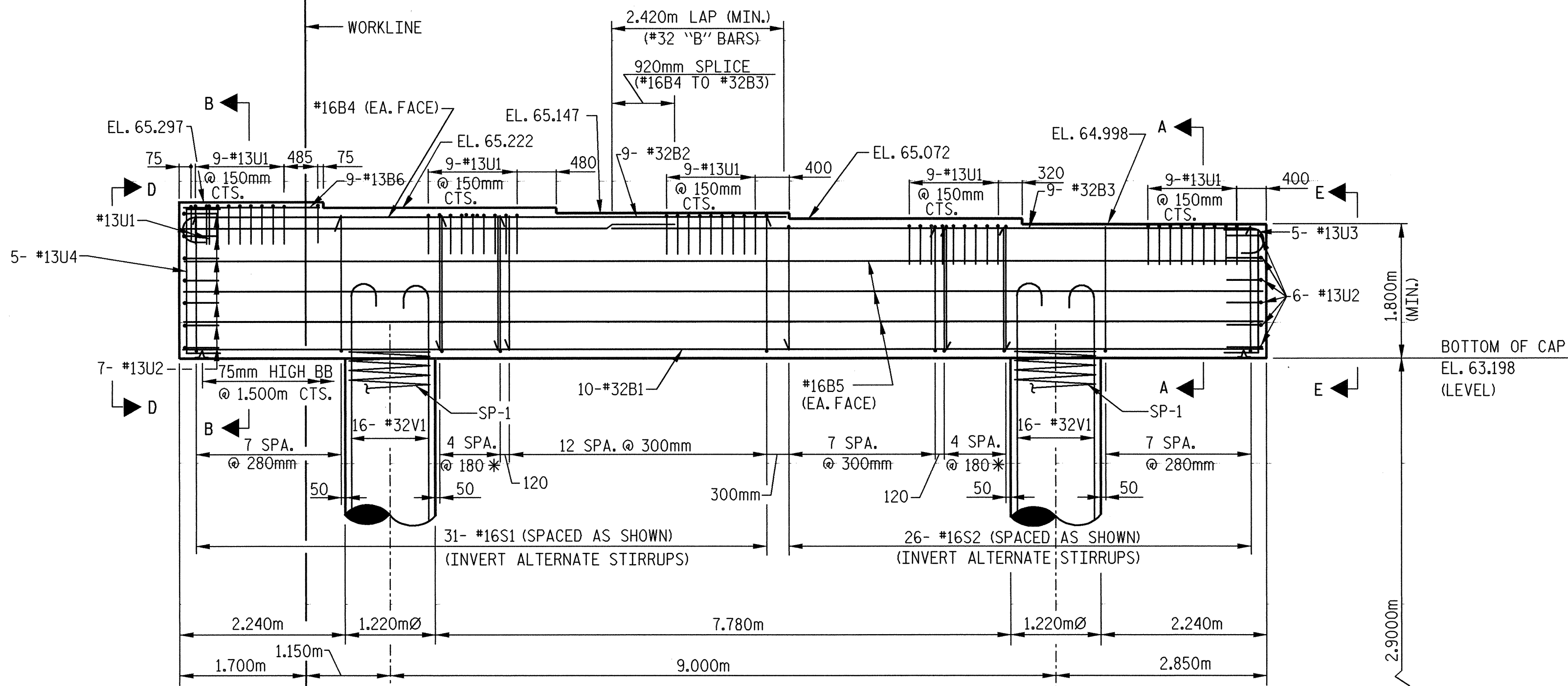
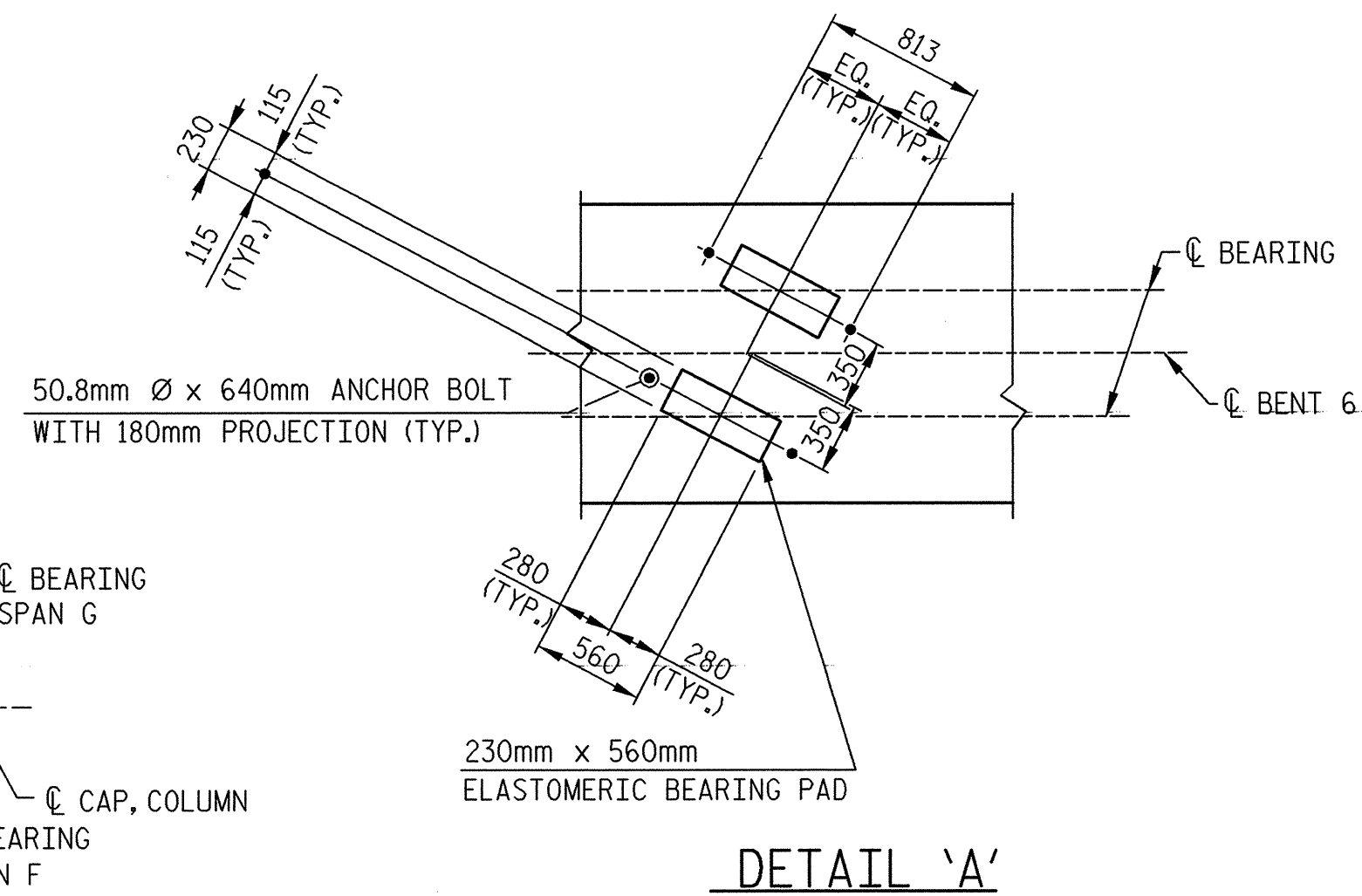


PLAN OF CAP

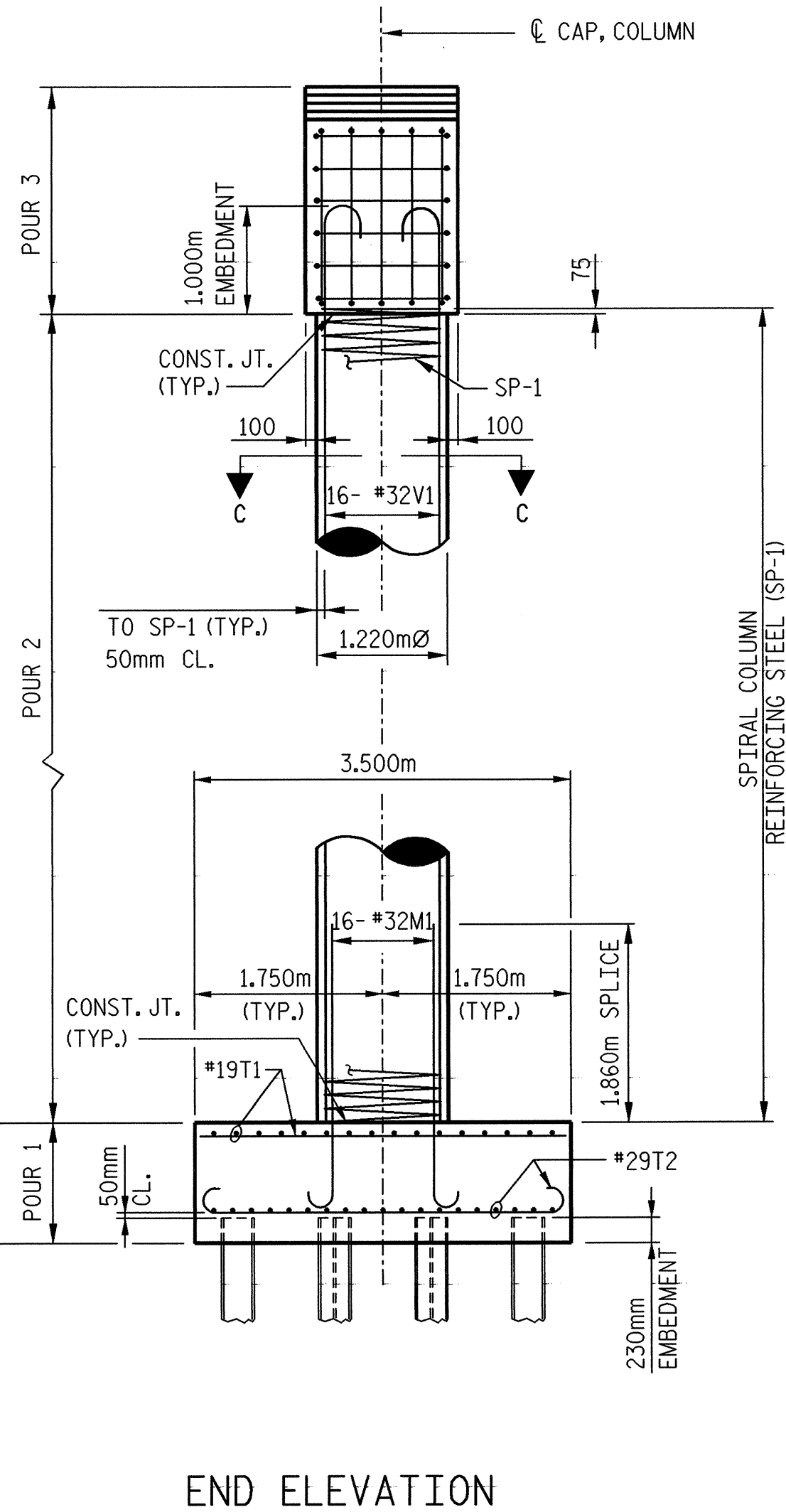


ELEVATION

*BUNDLED PAIRS OF #16 STIRRUPS



DETAIL 'A'



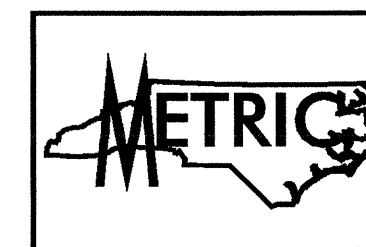
END ELEVATION

NOTES:

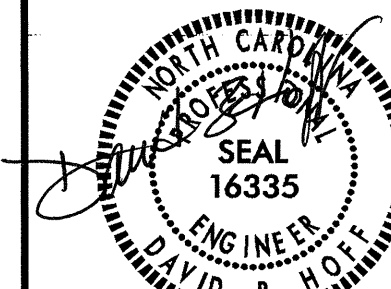
HOOKS ON "V" BARS MAY BE TURNED AS NECESSARY FOR PLACING REINFORCING STEEL.
STIRRUPS AND "U" BARS IN CAP MAY BE SHIFTED SLIGHTLY AS NECESSARY TO CLEAR ANCHOR BOLTS.

PROJECT NO. R-2552AB
JOHNSTON COUNTY
STATION: 40+96.00 -L- P.O.C.

SHEET 1 OF 2



TRANSYSTEMS CORPORATION
75 Beattie Place, Suite 400
Greenville, SC 29601 (864) 234-0866



STATE OF NORTH CAROLINA
DEPARTMENT OF TRANSPORTATION
RALEIGH
SUBSTRUCTURE
BENT #6
PLAN AND ELEVATION
(RIGHT LANE)

REVISIONS

NO.	BY:	DATE:	NO.	BY:	DATE:
1			3		
2			4		

SHEET NO.

5-320
TOTAL SHEETS
429

DRAWN BY: J. C. PENDERGRAFT DATE: 7/01
CHECKED BY: J.T. DIFFEE DATE: 2/02

G:\V04\0125\Bridges\Strut\Right (EBL)\Final\Bent6\EBL.dwg
3/4/2005
3:26:14 PM