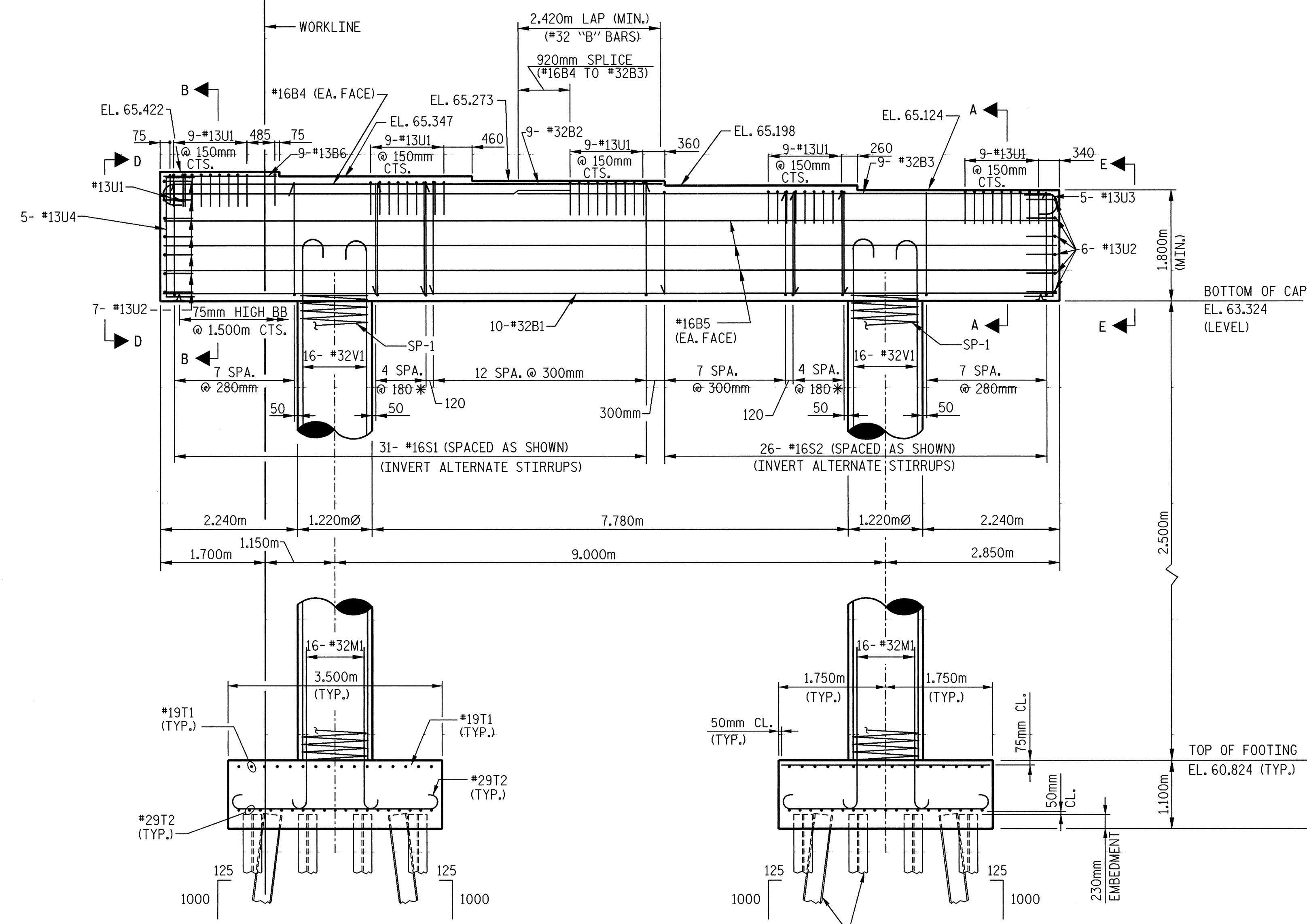
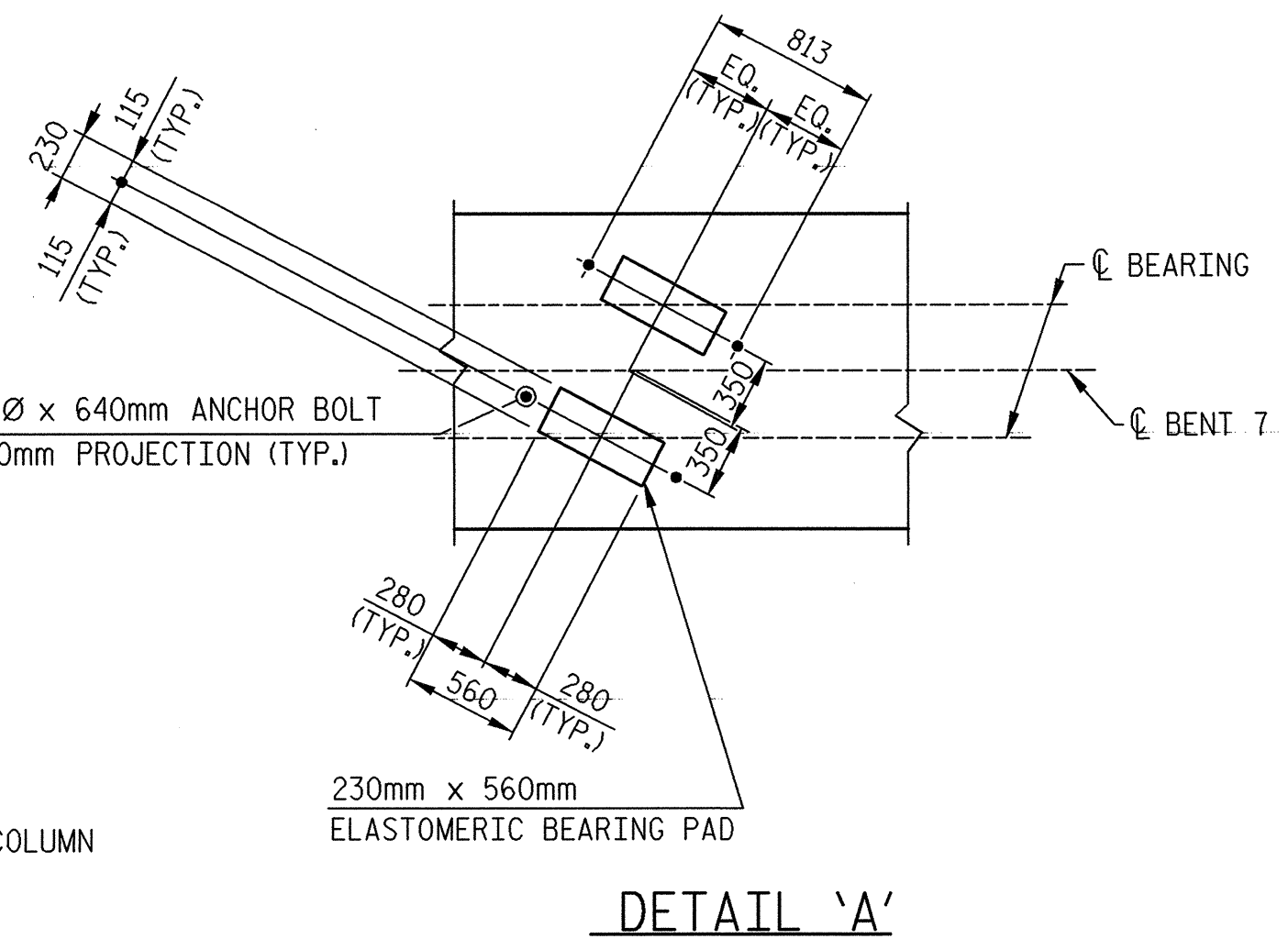


PLAN OF CAP

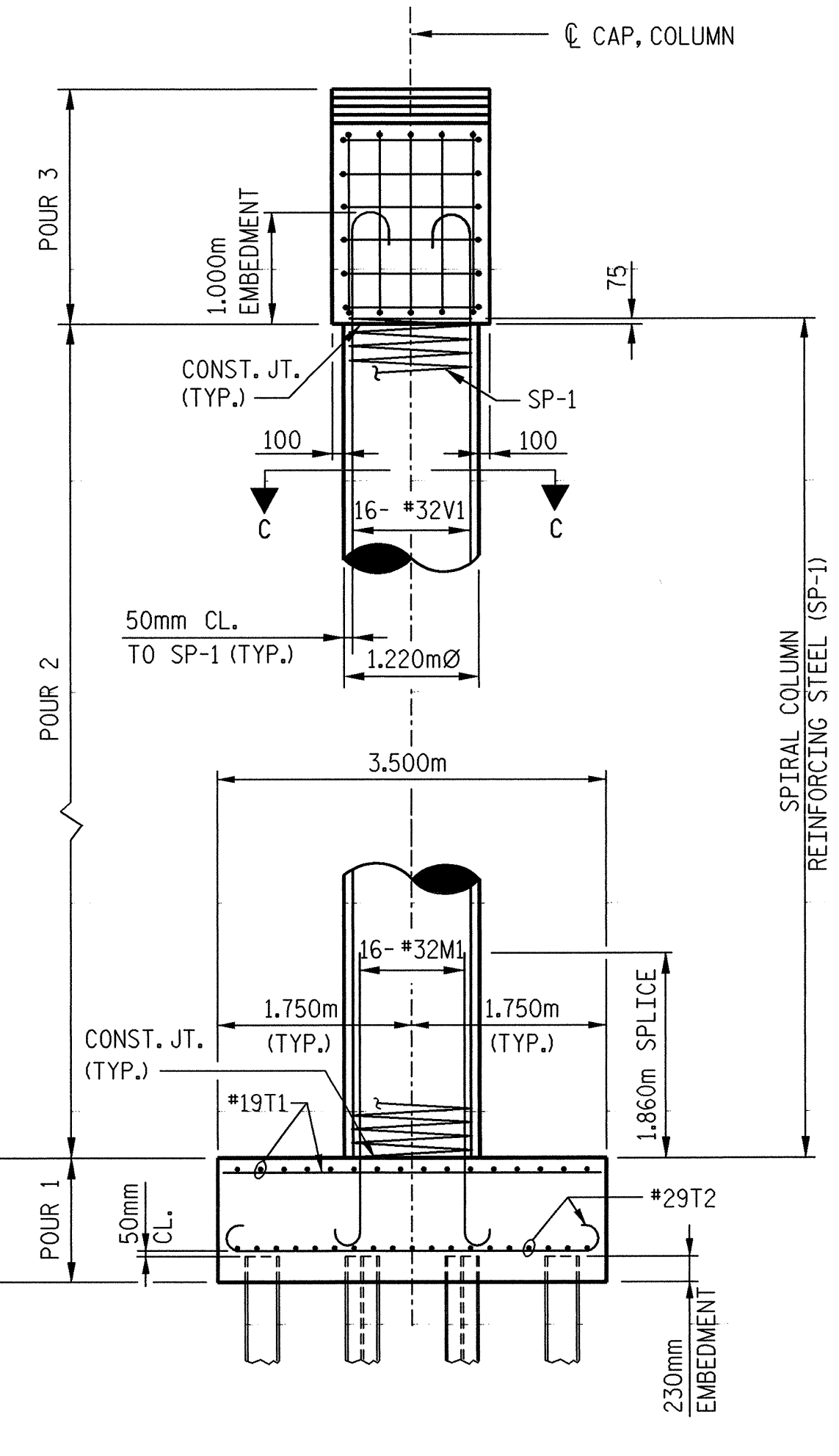


ELEVATION

*BUNDLED PAIRS OF #16 STIRRUPS



DETAIL 'A'



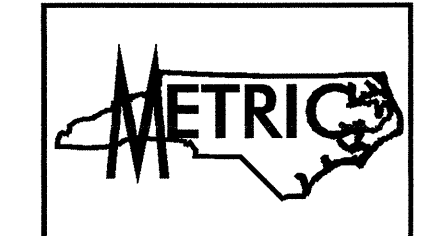
END ELEVATION

NOTES:

HOOKS ON "V" BARS MAY BE TURNED AS NECESSARY FOR PLACING REINFORCING STEEL.
STIRRUPS AND "U" BARS IN CAP MAY BE SHIFTED SLIGHTLY AS NECESSARY TO CLEAR ANCHOR BOLTS.

9:\CV\04\0125\Bridg\Stret\Right (EBL)\Final\Bent7(EBL).dgn
7/2005
3:30:45 PM

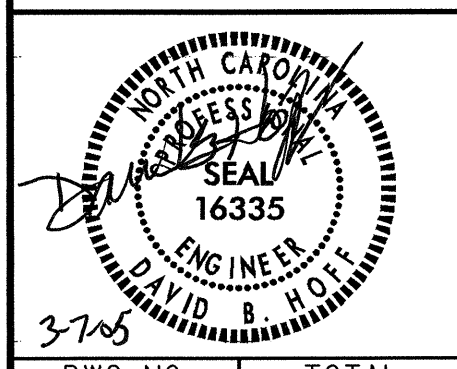
DRAWN BY : J. C. PENDERGRAFT DATE : 7/01
CHECKED BY : J.T. DIFEE DATE : 2/02



PROJECT NO. R-2552AB
JOHNSTON COUNTY
STATION: 40+96.00 -L- P.O.C.

SHEET 1 OF 2

TRANSYSTEMS CORPORATION
75 Beattie Place, Suite 400
Greenville, SC 29671 (864) 234-0866



STATE OF NORTH CAROLINA
DEPARTMENT OF TRANSPORTATION
RALEIGH
SUBSTRUCTURE
BENT #7
PLAN AND ELEVATION
(RIGHT LANE)

REVISIONS						SHEET NO.
NO.	BY:	DATE:	NO.	BY:	DATE:	
1			3			5-362
2			4			TOTAL SHEETS 429

DWG. NO.	TOTAL
51	64