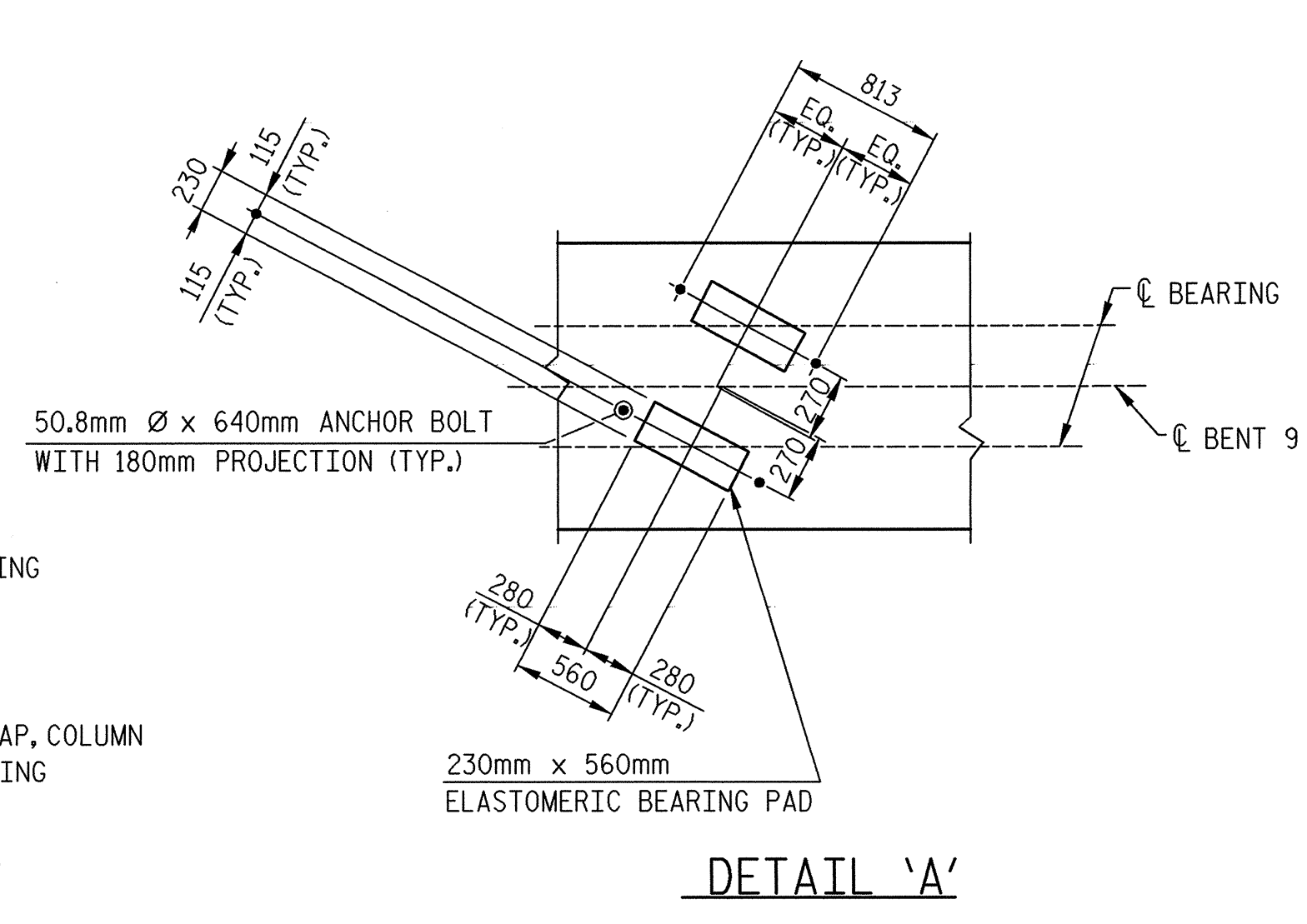
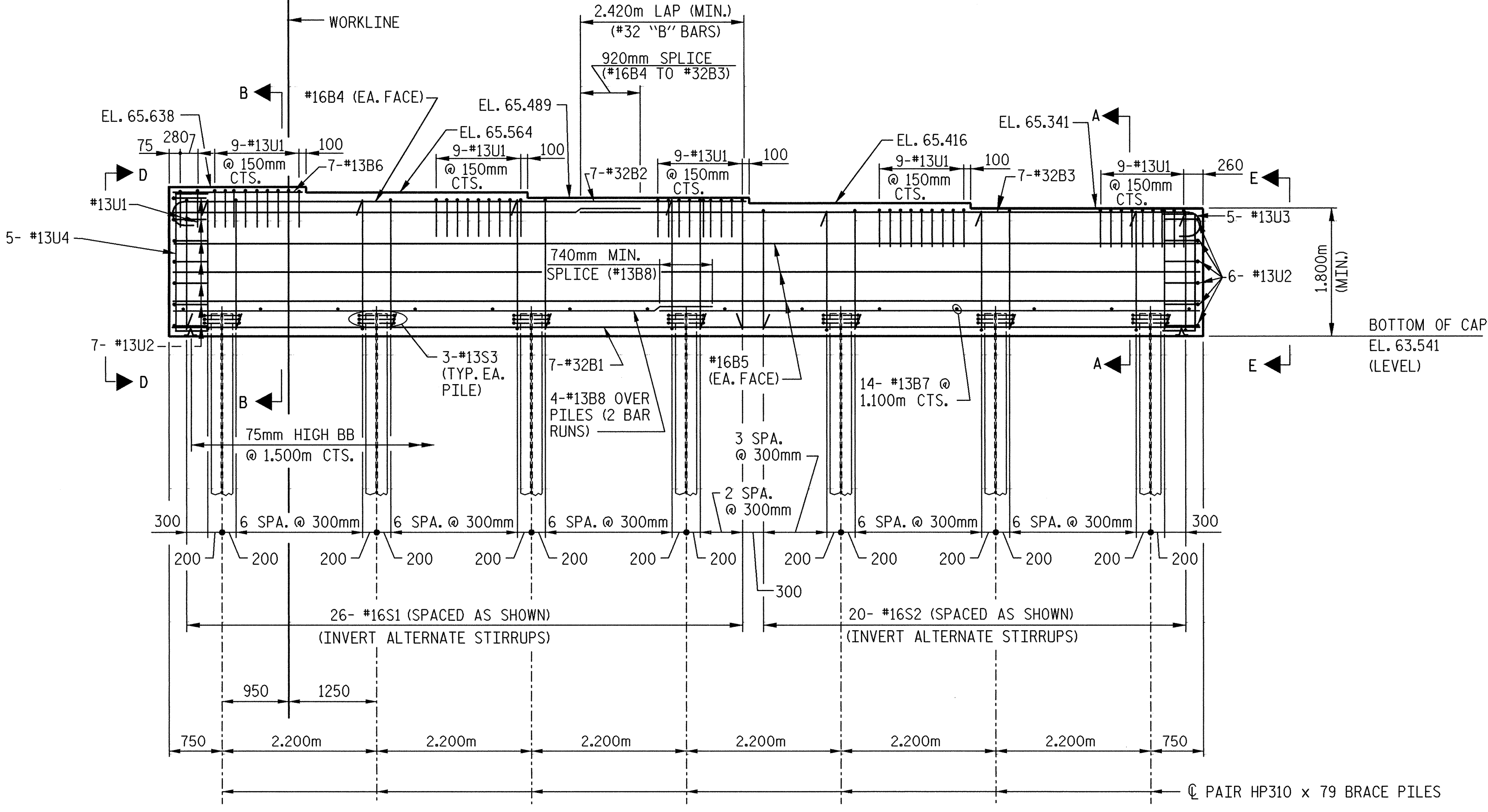


PLAN OF CAP

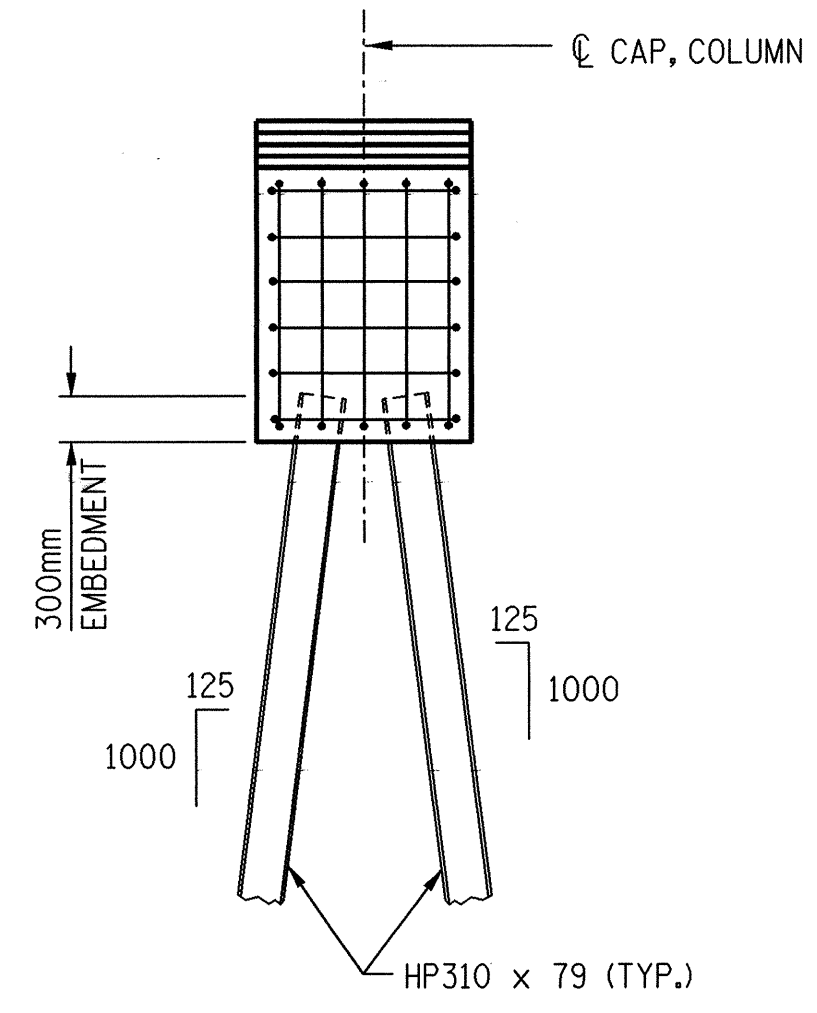


DETAIL 'A'

NOTES:
 STIRRUPS AND "U" BARS IN CAP MAY BE SHIFTED SLIGHTLY AS NECESSARY TO CLEAR ANCHOR BOLTS.
 FOR PILE SPlice DETAILS, SEE SHEET 2 OF 2.
 FOR EPOXY PROTECTIVE COATING, SEE SPECIAL PROVISIONS.



ELEVATION



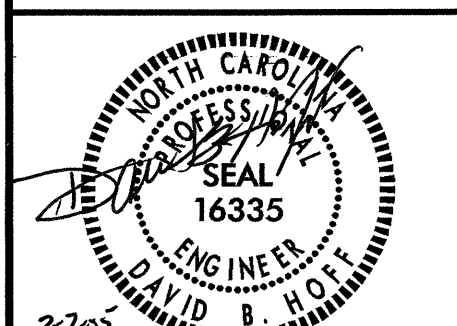
END ELEVATION

PROJECT NO. R-2552AB
 JOHNSTON COUNTY
 STATION: 40+96.00 -L- P.O.C.



SHEET 1 OF 2

TRANSYSTEMS CORPORATION
 75 Beattie Place, Suite 400
 Greenville, SC 29601 (864) 234-0866



STATE OF NORTH CAROLINA
 DEPARTMENT OF TRANSPORTATION
 RALEIGH
 SUBSTRUCTURE
 BENT #9
 PLAN AND ELEVATION
 (RIGHT LANE)

REVISIONS						SHEET NO.	
NO.	BY:	DATE:	NO.	BY:	DATE:	3-386	
1			3			TOTAL SHEETS	
2			4			429	

DRAWN BY : J. C. PENDERGRAFT DATE : 7/01
 CHECKED BY : J.T. DIFFEE DATE : 2/02

g:\civ\04\0125\Bridg\St\rel\Right (EBU)\Final\Bent9(ebl).dgn
 3/17/2005 3:40:03 PM