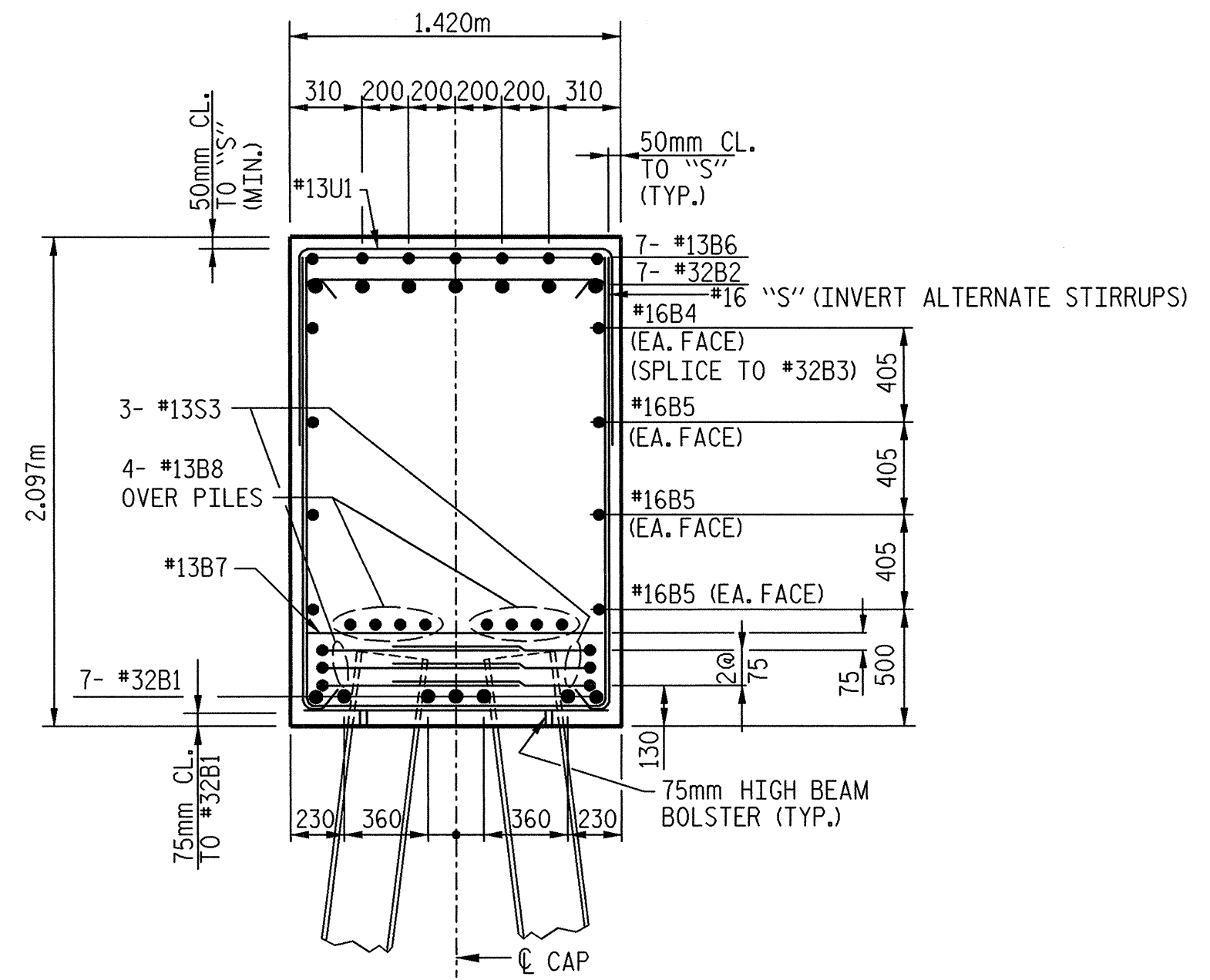
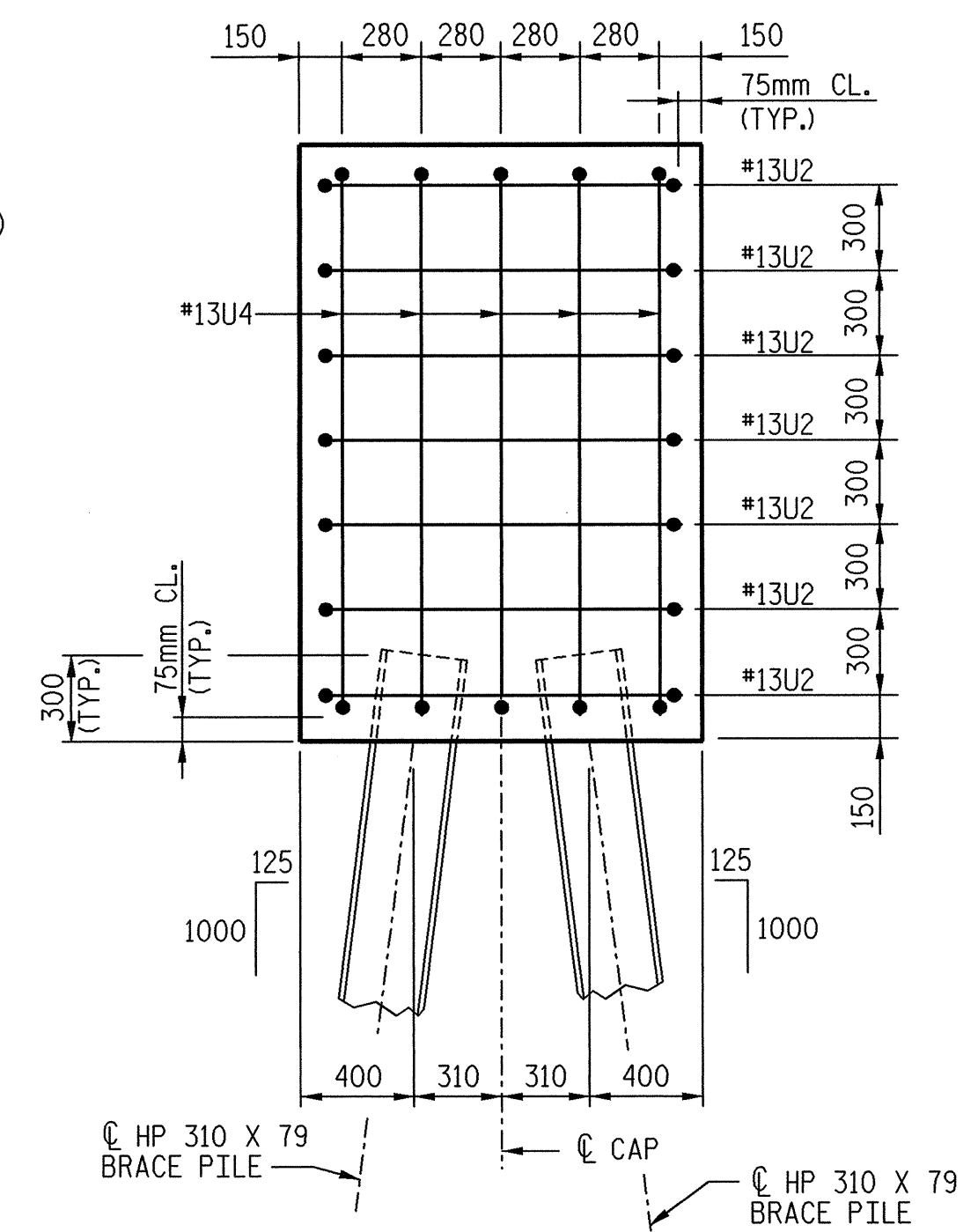


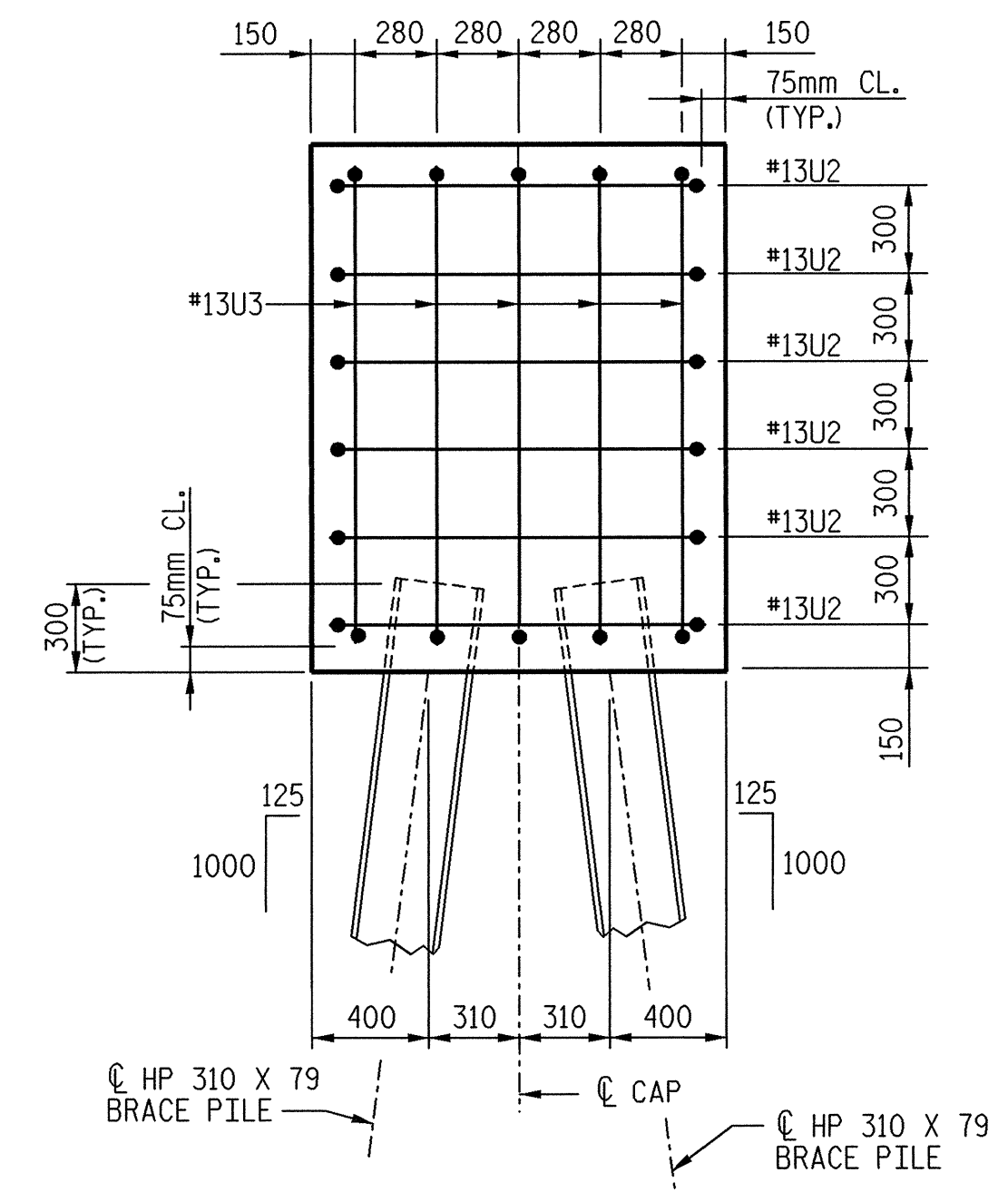
SECTION A-A



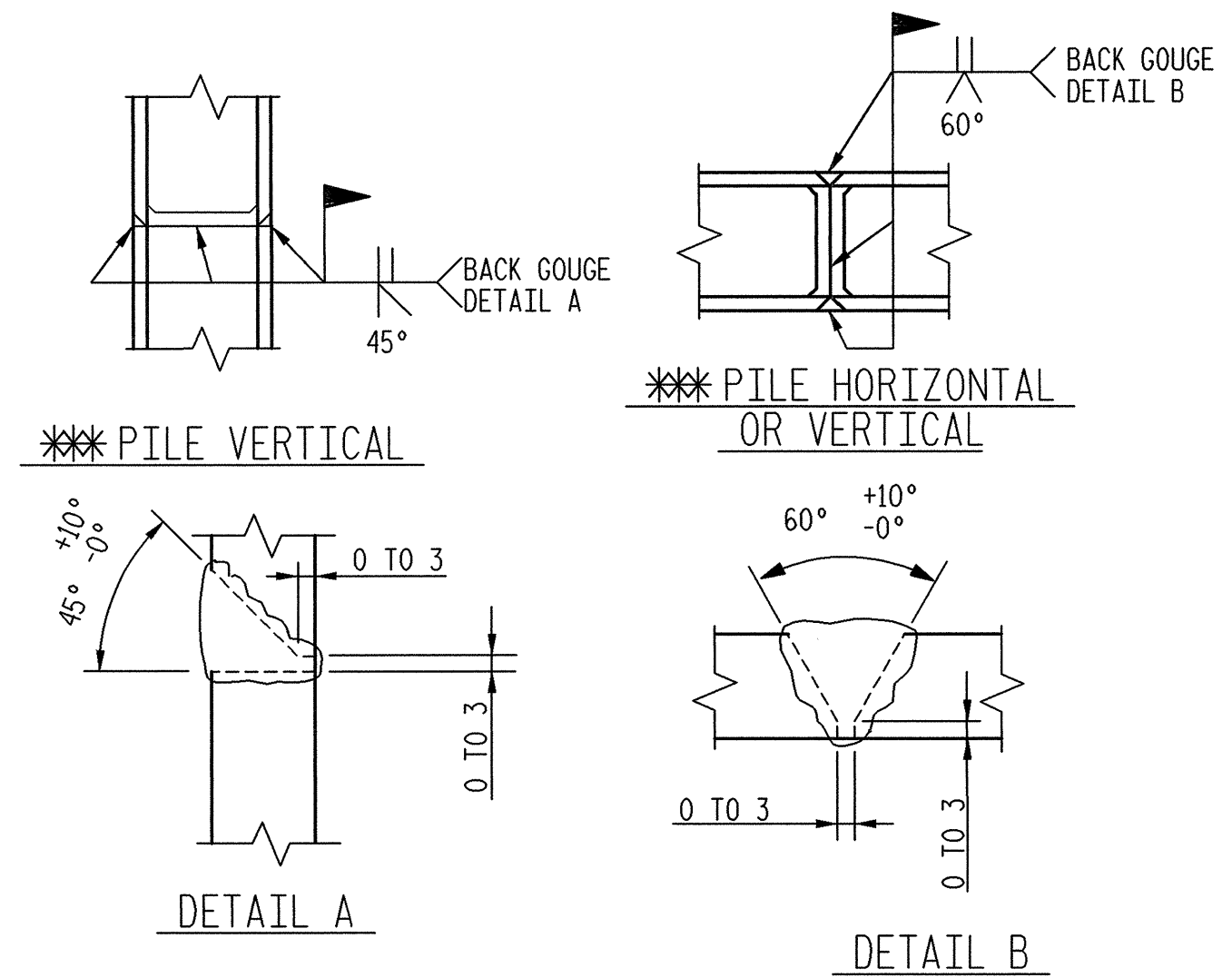
SECTION B-B



VIEW D-D

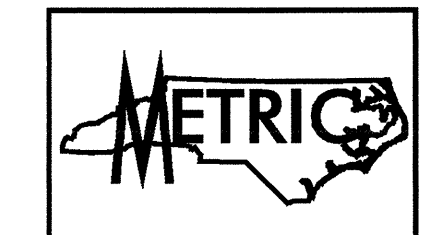
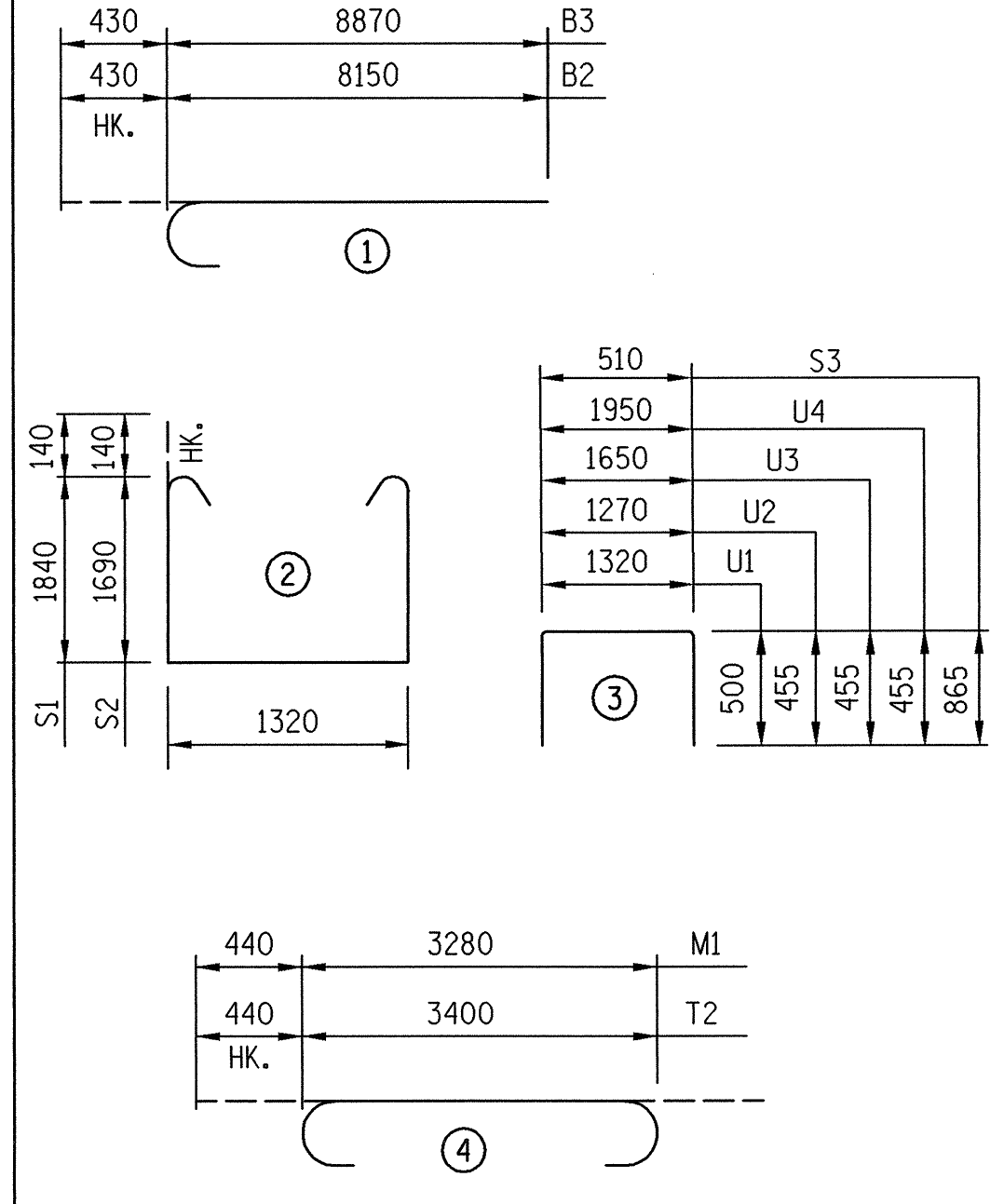


VIEW E-E



PILE SPLICE DETAILS

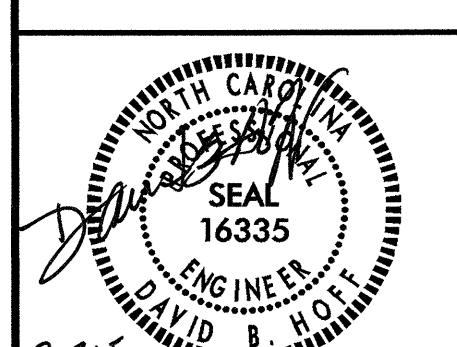
BAR TYPES		BILL OF MATERIALS			
ALL BAR DIMENSIONS ARE OUT TO OUT.					
BENT #9					
BAR	NO.	SIZE	TYPE	LENGTH	WEIGHT
B1	7	#32	STR	14600	654
B2	7	#32	1	8580	385
B3	7	#32	1	9300	417
B4	2	#16	STR.	6660	21
B5	6	#16	STR.	14600	136
B6	7	#13	STR.	1840	15
B7	14	#13	STR.	1320	18
B8	16	#13	STR.	7680	122
S1	26	#16	2	5280	213
S2	20	#16	2	4980	155
S3	42	#13	3	2240	94
U1	47	#13	3	2320	108
U2	13	#13	3	2180	28
U3	5	#13	3	2560	13
U4	5	#13	3	2860	14
BENT #1 TOTAL QUANTITIES					
HP310 x 79 PILES No: 14				221.2 m	
GALVANIZING STEEL PILES				LUMP SUM	
REINFORCING STEEL				2391 kg.	
CLASS "A" CONCRETE				40.4 m ³	



PROJECT NO. R-2552AB
 JOHNSTON COUNTY
 STATION: 40+96.00 -L- P.O.C.

SHEET 2 OF 2

TRANSYSTEMS CORPORATION
 75 Beattie Place, Suite 400
 Greenville, SC 29601 (864) 234-0866



STATE OF NORTH CAROLINA
 DEPARTMENT OF TRANSPORTATION
 RALEIGH
 SUBSTRUCTURE
 BENT #9
 DETAILS
 (RIGHT LANE)

REVISIONS						SHEET NO.
NO.	BY:	DATE:	NO.	BY:	DATE:	
1			3			S-387
2			4			TOTAL SHEETS 429

DRAWN BY: J. C. PENDERGRAFT DATE: 8/01
 CHECKED BY: J. T. DIFFEE DATE: 2/02

g:\V04\0125\B-1\B-1\Right (EBL)\Final\Bent#9a\bl\ldgn
 3/5/2005
 12:33:43 PM