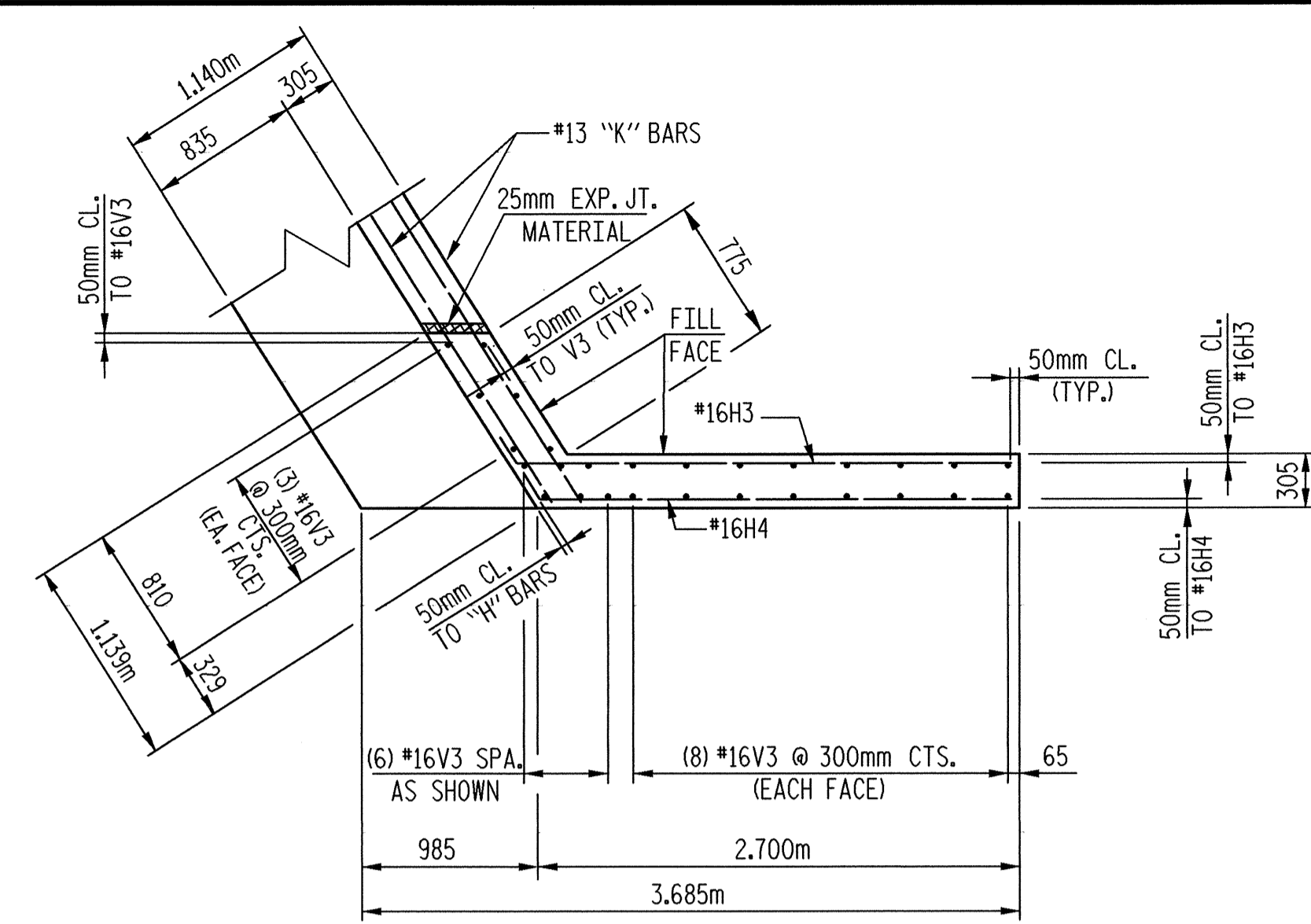
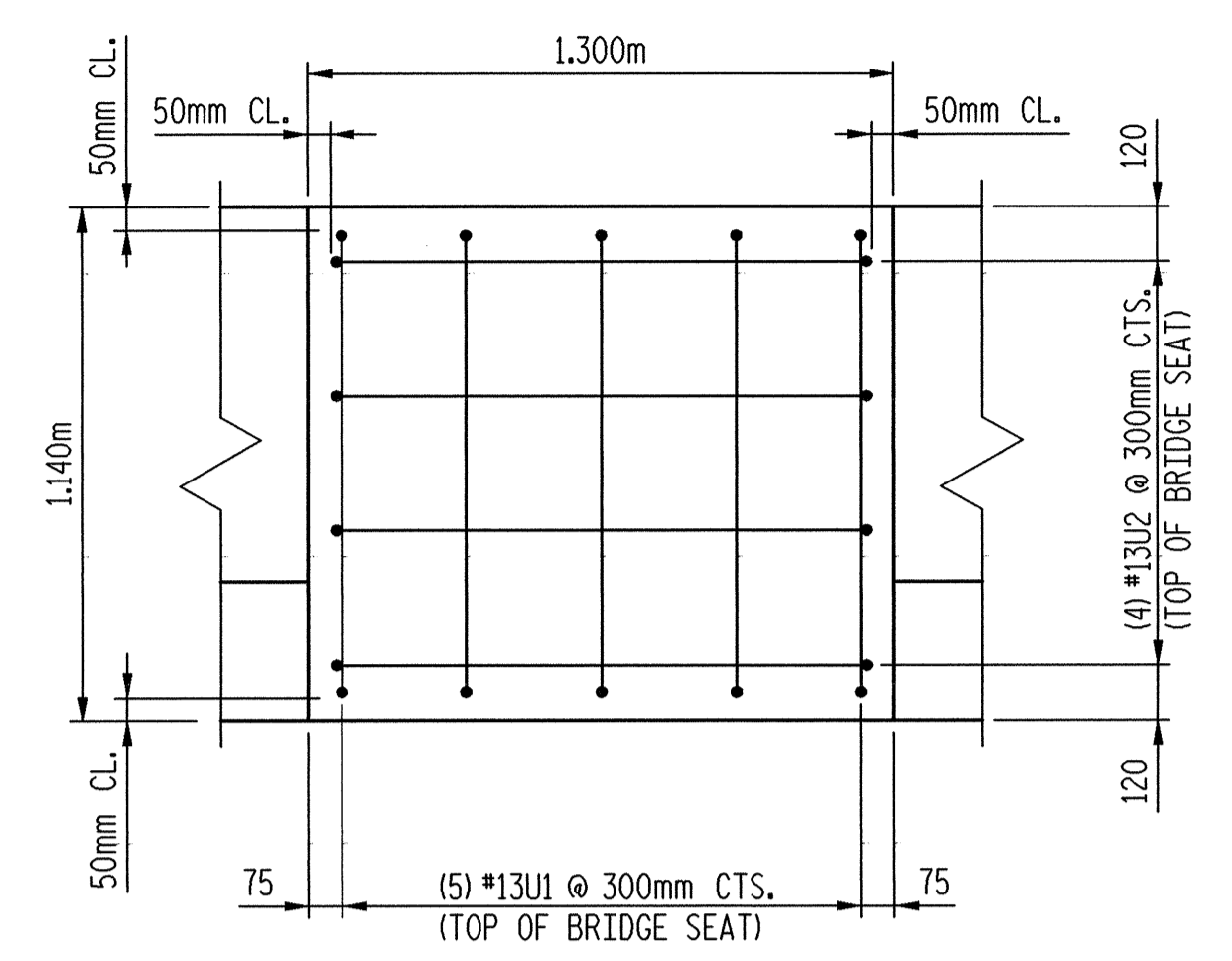


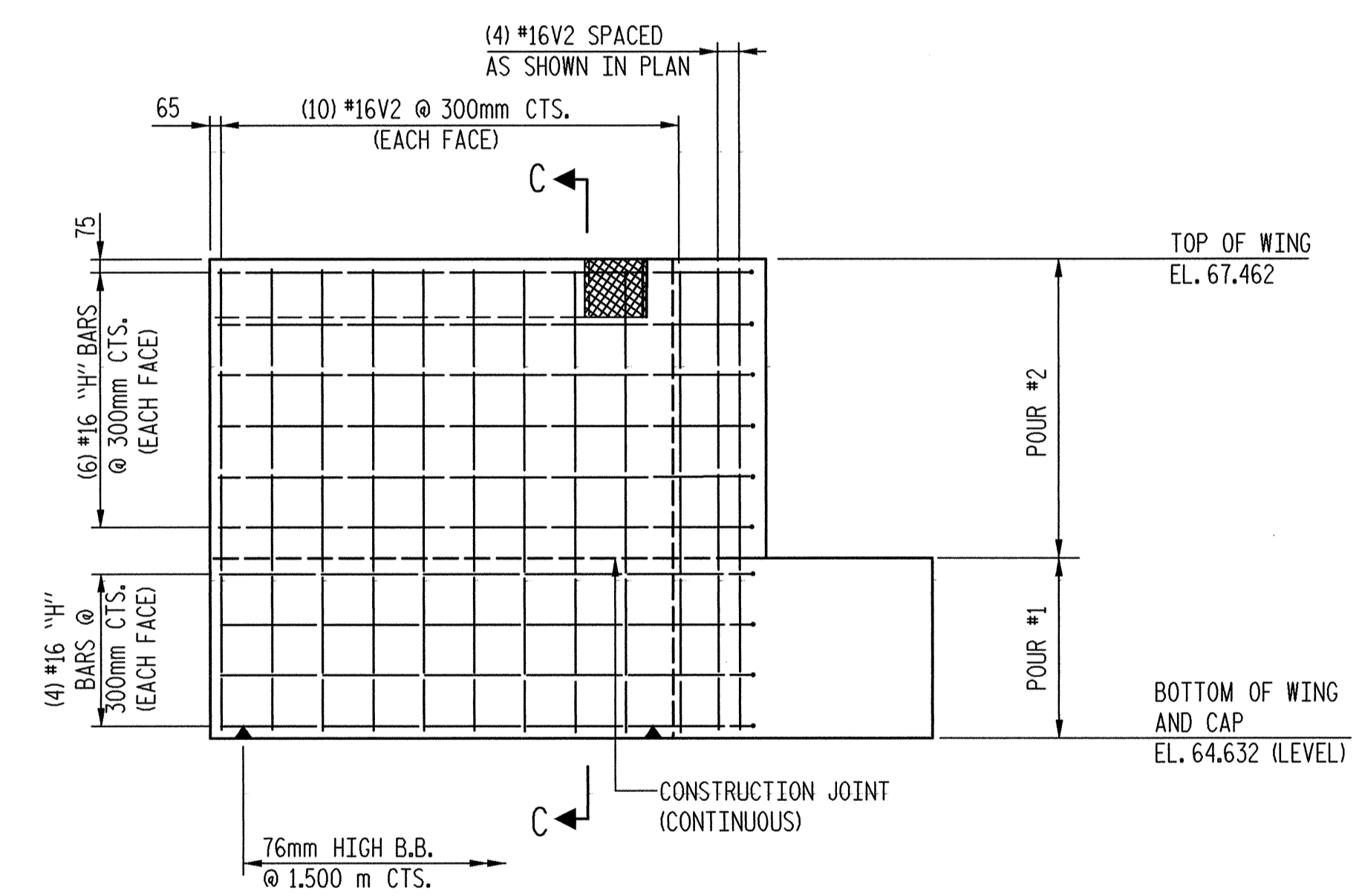
PLAN WING - W1



PLAN WING - W2

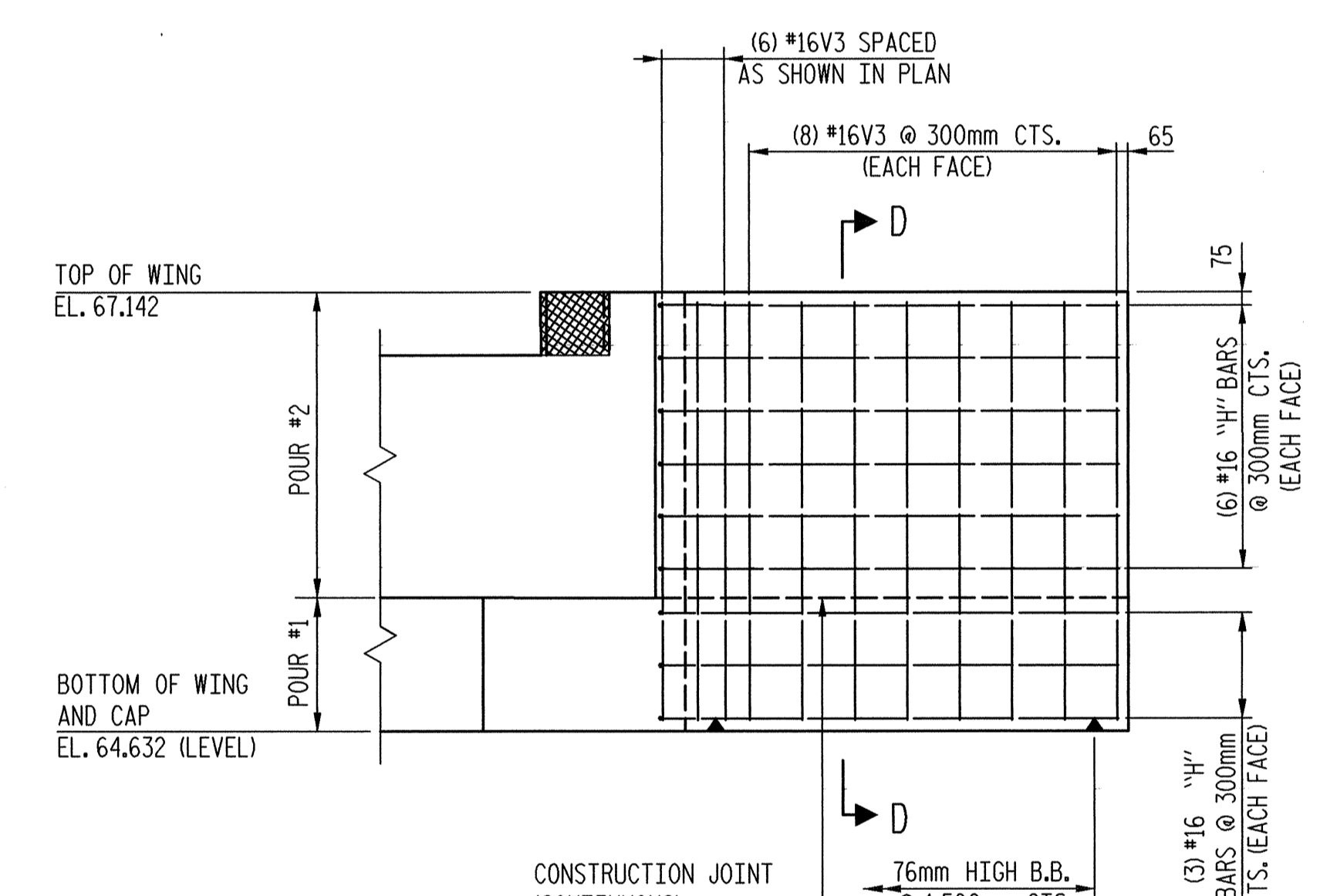


BRIDGE SEAT REINFORCEMENT



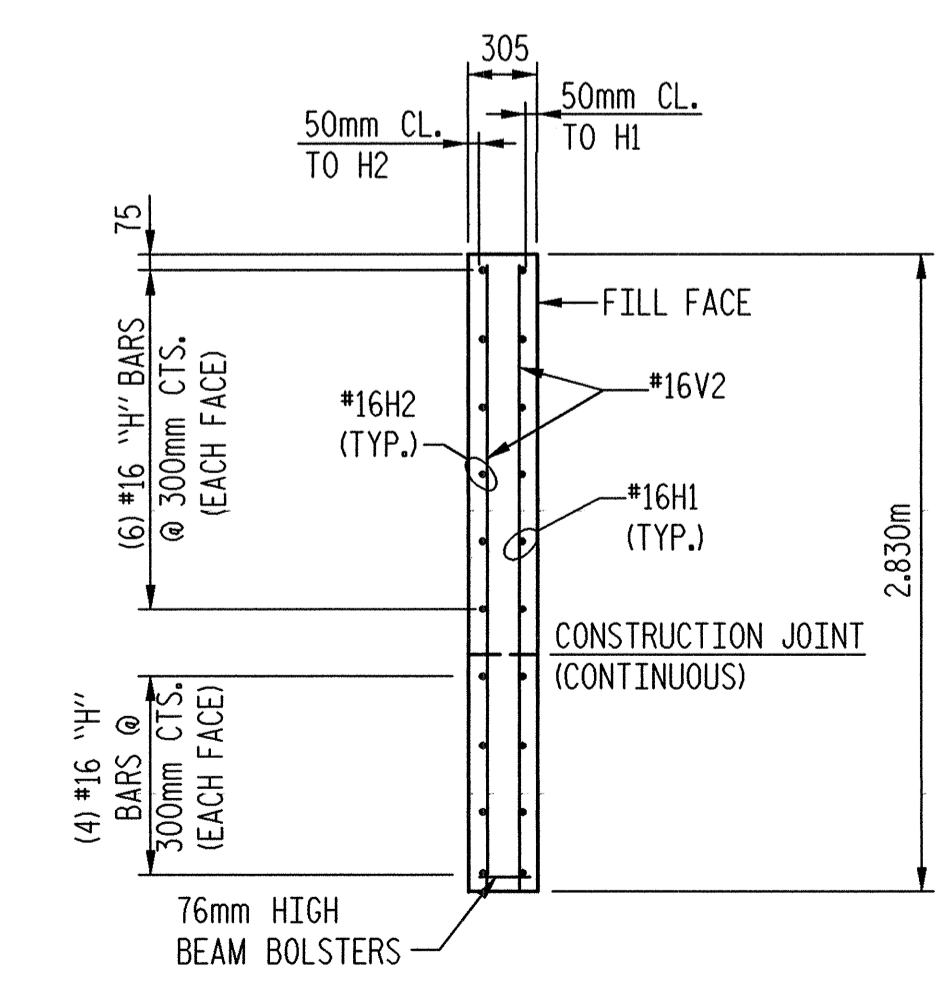
ELEVATION WING - W1

** PLACE #16 'H' BARS TO MATCH #16 'K' BARS IN BACKWALL

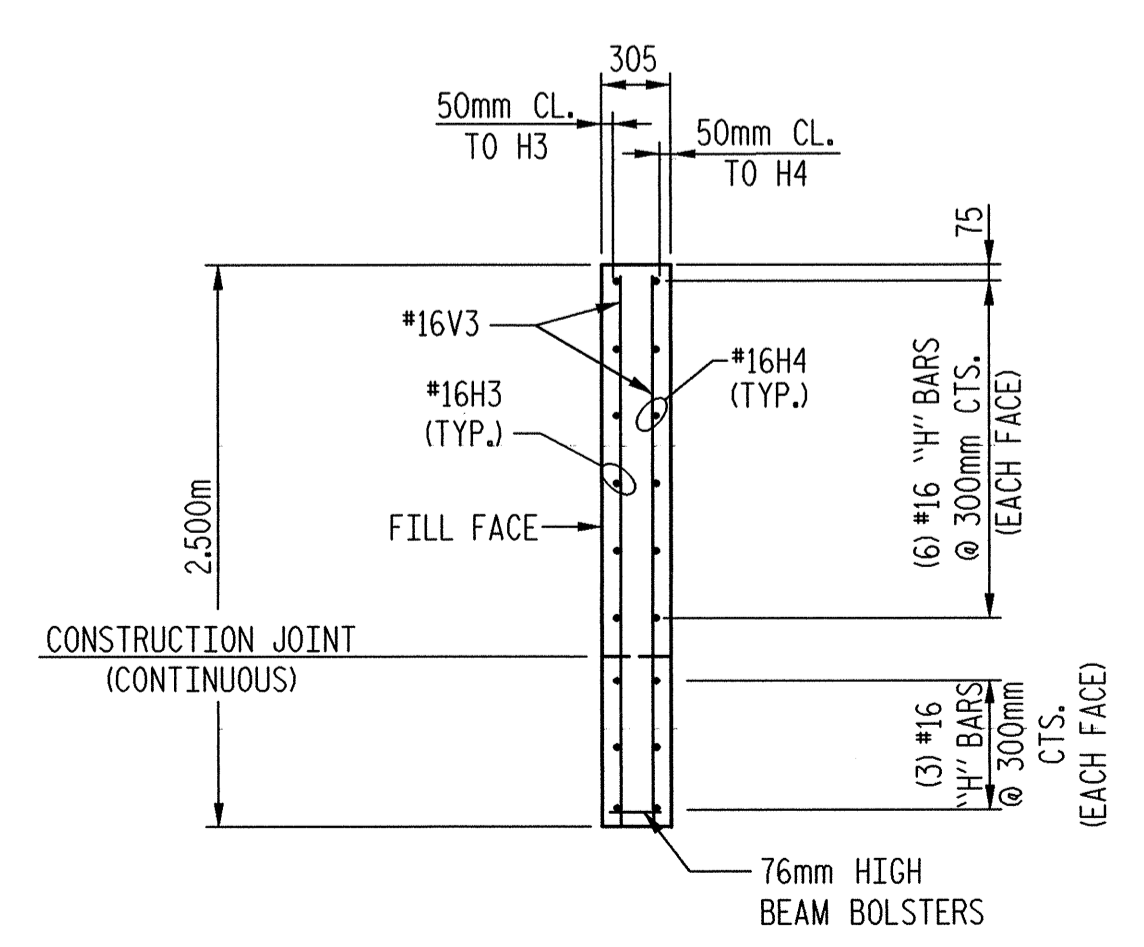


ELEVATION WING - W2

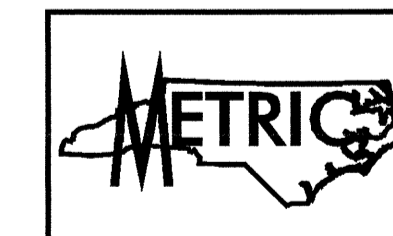
** PLACE #16 'H' BARS TO MATCH #16 'K' BARS IN BACKWALL



SECTION "C"

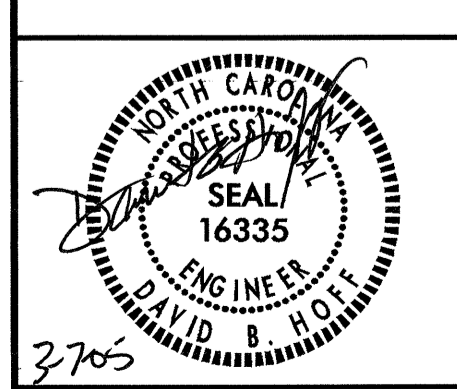


SECTION "D"



PROJECT NO. R-2552AB
 JOHNSTON COUNTY
 STATION: 40+96.000 -L- P.O.C.
 SHEET 2 OF 3

TRANSYSTEMS CORPORATION
 75 Beattie Place, Suite 400
 Greenville, SC 29601 (864) 234-0866



STATE OF NORTH CAROLINA
 DEPARTMENT OF TRANSPORTATION
 RALEIGH
 SUBSTRUCTURE
 END BENT #2
 DETAILS
 (RIGHT LANE)

REVISIONS						SHEET NO.
NO.	BY:	DATE:	NO.	BY:	DATE:	5-329
1			3			TOTAL SHEETS
2			4			429

DRAWN BY: M.L. MARLEY DATE: 1/17/02
 CHECKED BY: D.B. HOFF DATE: 12/25/00

g:\04\0125\B-dge\Site\Right (EBU)\Formal\Endbent2(ebl).dgn
 3/4/2005
 3:44:51 PM