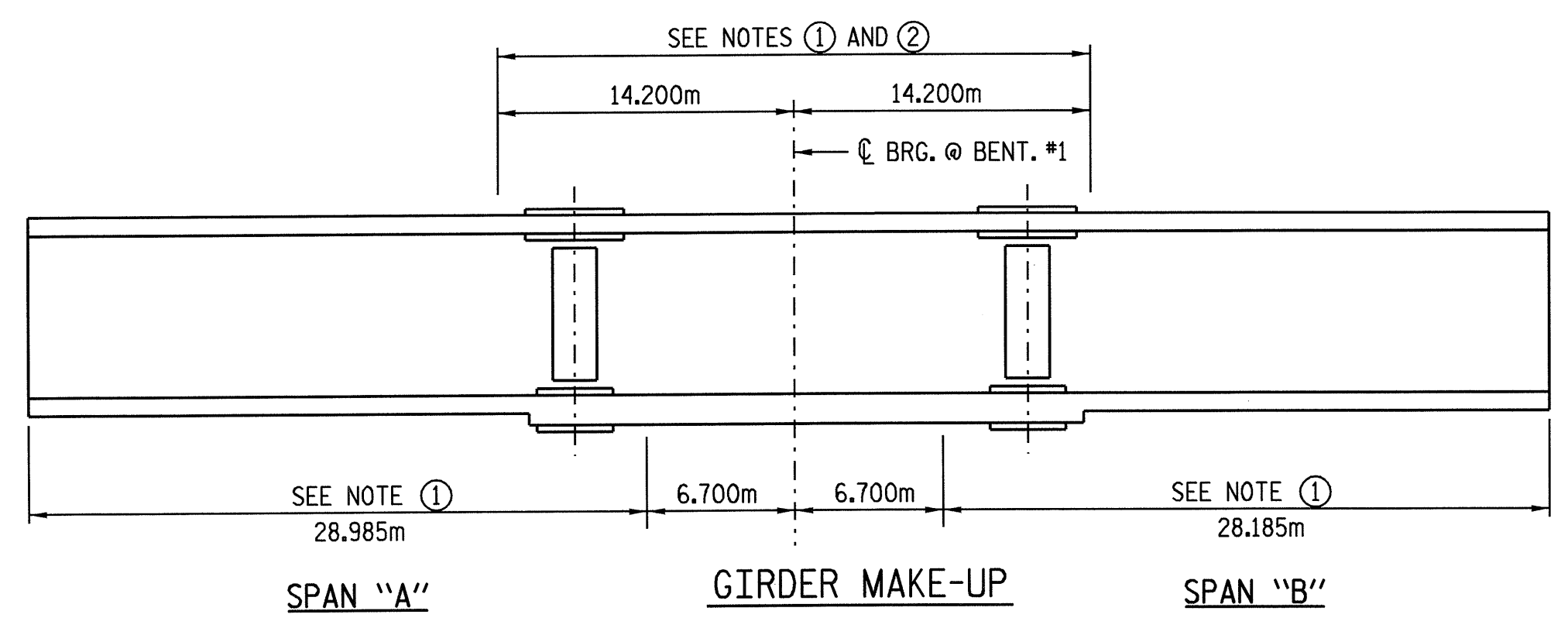
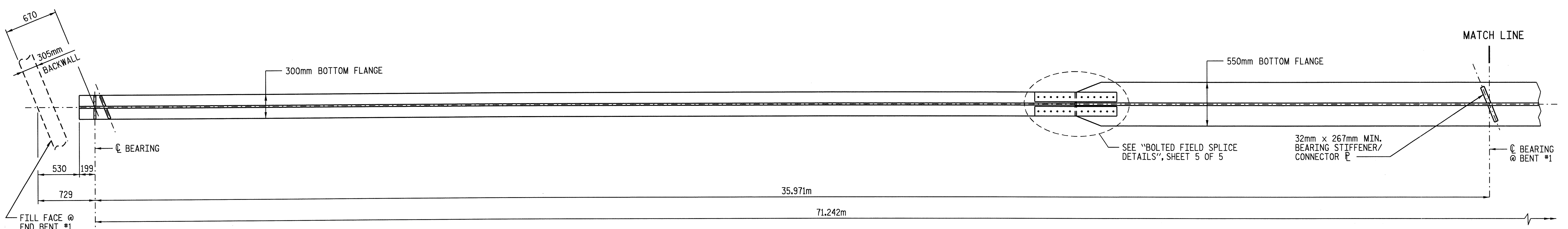
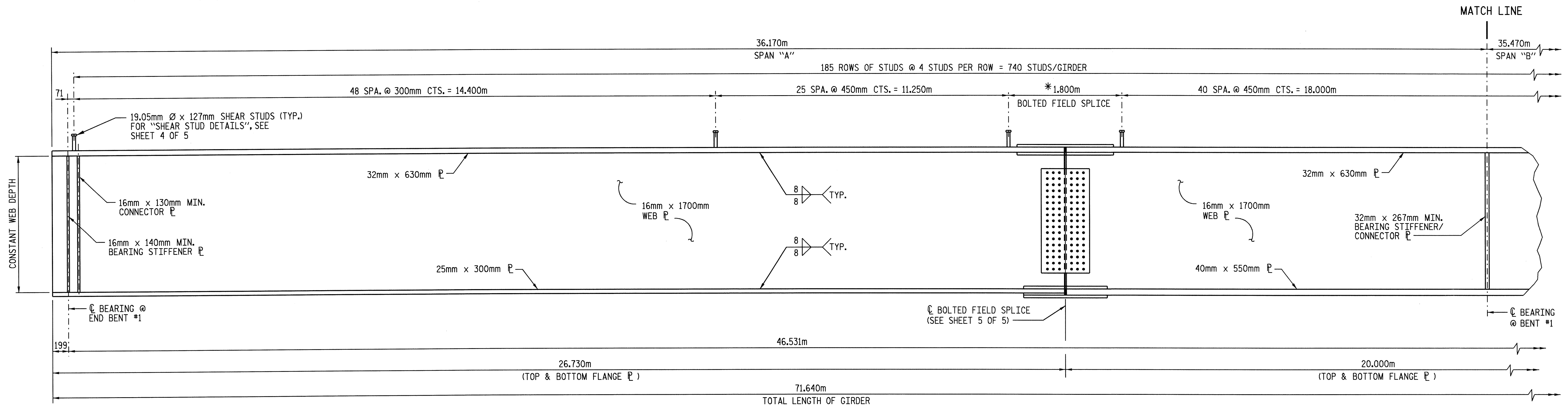


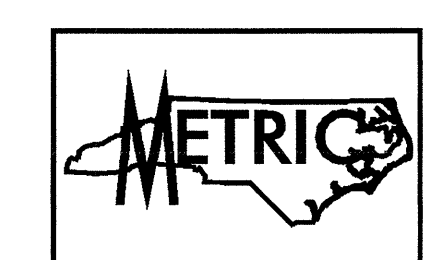
NOTES:

1. FOR INTERMEDIATE DIAPHRAGM LOCATIONS, SEE "STRUCTURAL STEEL FRAMING PLAN".



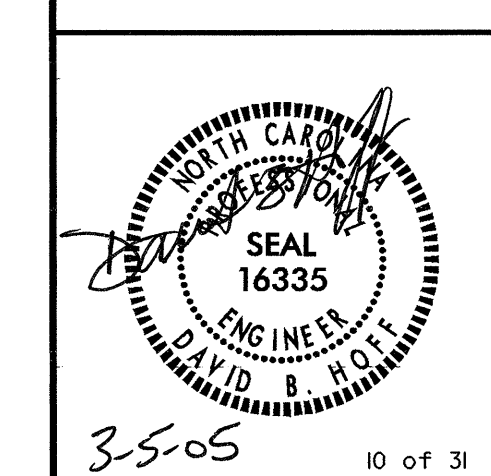
NOTES:

- CHARPY V-NOTCH TESTS WILL BE REQUIRED FOR TOP OR BOTTOM FLANGE PLATE WHICH FALLS WITHIN THESE LIMITS, ALL WEB PLATES, AND ALL SPLICE PLATES. IF A PERMITTED SHOP FLANGE SPLICE IS NOT USED, CHARPY V-NOTCH TEST WILL BE REQUIRED FOR THE ENTIRE FLANGE PLATE. FOR CHARPY V-NOTCH TEST, SEE ARTICLE 1072-9 OF THE STANDARD SPECIFICATIONS.
- NO WELDING OF FORMS OR FALSEWORK TO THE TOP FLANGE WILL BE PERMITTED IN THIS REGION.



PROJECT NO. R-2552AB
JOHNSTON COUNTY
STATION: 52+34.693 -L- = 18+60.011 -Y2-
SHEET 2 OF 5

TRANSYSTEMS CORPORATION
75 Beattie Plaza, Suite 400
Greenville, SC 29601 (864) 234-0866



STATE OF NORTH CAROLINA
DEPARTMENT OF TRANSPORTATION
RALEIGH

**SUPERSTRUCTURE
STRUCTURAL STEEL
DETAILS
- GIRDER ELEVATION -**

REVISIONS						SHEET NO.
NO.	BY:	DATE:	NO.	BY:	DATE:	
1			3			5-4083
2			4			TOTAL SHEETS 429

DRAWN BY: M.T. BELISLE DATE: 4/01
CHECKED BY: D.B. HOFF DATE: 12/01

CHARPY V - NOTCH TEST FOR CONTINUOUS PLATE GIRDERS

g:\G04\01\25\B-ridge\Site2\Final\11.25.03\1004-gr-d-e1.dgn 3/4/2005 2:58:57 PM